



Product Data Sheet

TS5440 Series Needle Valve

The TS5440 Series Microshot Needle Valve is a normally closed needle and seat dispensing valve, which is designed to dispense low - medium viscosity fluids. With a zero dead volume seat design, the TS5440 Series can dispense very precise deposits over a wide range of deposit sizes, down to a fraction of a micro litre.

An internal spring return makes the valve fully adaptable with Techcon Systems controllers. A short opening stroke provides extremely fast, positive shut-off and the external stroke control adjustment allows the operator to fine tune deposit sizes. Air pressure through the air inlet port retracts the needle assembly from the seat (tip cannula) allowing fluid to flow from the valve fluid inlet to the Luer outlet. Relieving the input air pressure allows the spring to return the needle back to its position, to close the material path, ready for the next dispensing cycle. The TS5440 Series compact design allows for mounting flexibility and integration into automated applications.

The valve is shipped with the following items:

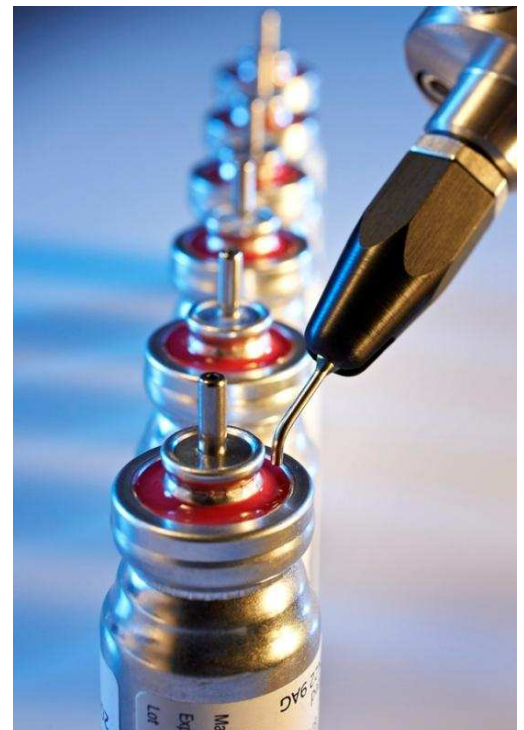
- Mounting bracket kit
- Valve air hose
- Luer lock fluid line
- Fluid inlet fittings - 1/4" compression and Luer lock type
- Dispensing tip selection pack

TYPICAL APPLICATIONS

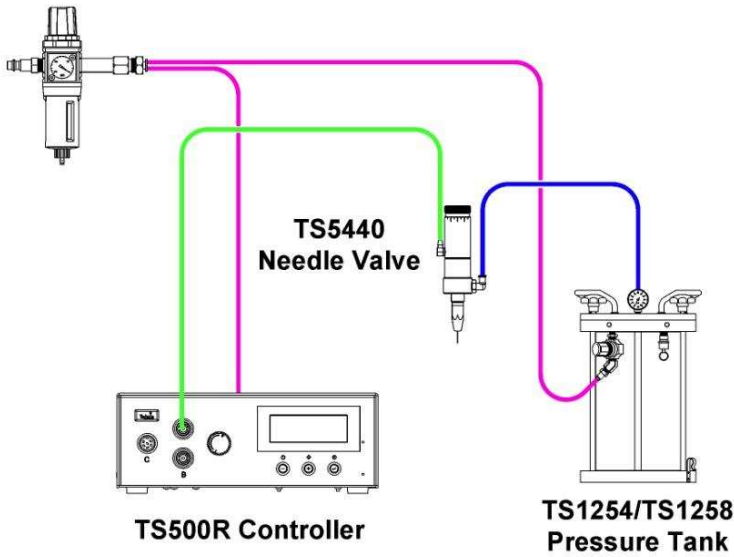
- Applying UV adhesive in medical device manufacturing
- Dispensing micro dots of lubrication in automotive switches
- Dispensing micro dots of adhesives in electronic assembly process

KEY FEATURES AND BENEFITS

- Zero "dead volume"
- Low maintenance design
- Fixed body and air cylinder position
- Luer taper and cap for easy tip integration



TYPICAL SETUP



■ FLUID
■ CONSTANT AIR
■ PULSED AIR

SPECIFICATIONS & PART NUMBERS

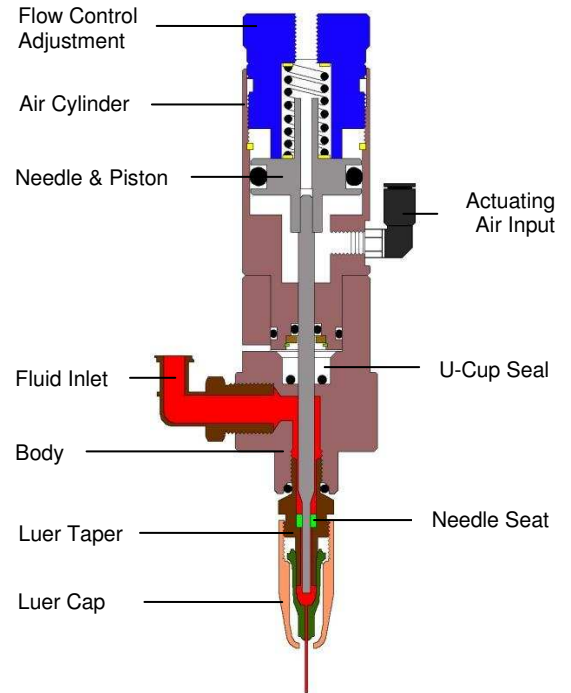
Part Number:	TS5440	TS5440-SS
Size (Imperial):	4.79" Length x 1.12"	4.79" Length x 1.12"
Size (Metric):	121.6mm x 28.4mm	121.6mm x 28.4mm
Weight:	0.47 lb (215g)	0.6 lb (274g)
Fluid Inlet Port:	1/8" NPT female	1/8" NPT female
Fluid Outlet Port:	Luer taper and cap	Luer taper and cap
Aux Air Inlet Port:	10-32 UNF female	10-32 UNF female
Activation Pressure:	70 psi (4.8bar) Min.	70 psi (4.8bar) Min.
Max Fluid Pressure:	100 psi (6.9bar)	100 psi (6.9bar)
Operating Frequency:	400+ cycles/min.	400+ cycles/min.
Mounting Port:	10-32 UNF female	10-32 UNF female
Viscosity Range:	1 - 100 000cps	1 - 100 000cps
Wetted Parts:	303 SS, Teflon®, UHMWPE	303 SS, Teflon®, UHMWPE

ACCESSORIES

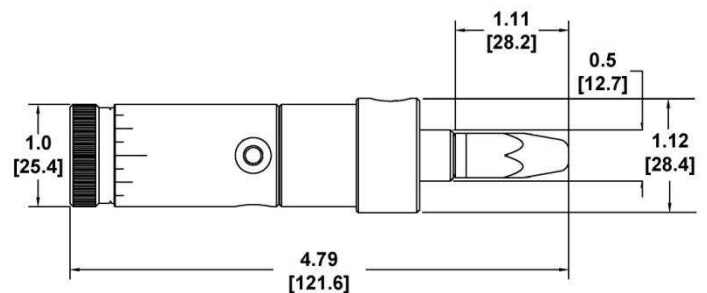
- Fluid reservoirs:** The valve can be fed from the TS1254 or TS1258 Pressure Tank, or from any size syringe barrel or cartridge.
- Dispensing Tips:** Precision TE Series dispensing tips, from 18 - 32 gauge, are required for this valve type. For the complete dispensing tip offering please visit www.techconsystems.com



LOCAL DISPENSING SOLUTIONS WORLDWIDE



Dimensions are in inches [mm]



For Sales and Support:

Techcon Systems Corporate Headquarters,
12151 Monarch Street, Garden Grove,
California, 92841, USA.

Tel: 1-714-230-2398, Fax: 1-714-230-2393

E-mail: oemorders@okinternational.com

Techcon Systems European Corporate Office,
Eagle Close, Chandler's Ford Industrial Estate,
Eastleigh, Hampshire, SO53 4NF, UK.

Tel: +44 2380 489 100, Fax: +44 2380 489 109

E-mail: europa-orders@okinternational.com

Or visit www.techconsystems.com

Teflon® is a registered trademark of E.I. DuPont. Version 2.00