



Product Data Sheet

TS5322 Series

Miniature Spool Valve

The TS5322 Series Mini Spool Valve is based on a balanced spool design, to create a fast "ON/OFF" fluid dispensing function that is not affected by fluid input pressure. The spool action displaces a portion of the fluid back into the dispensing tip during shut off. This creates an automatic "suck-back" anti-drip feature.

An oil chamber is provided for use above the upper seal to create an additional liquid seal that will prevent moisture from being carried onto the spool. The design facilitates easy maintenance without the need for special tools.

The valve is designed to be opened by air pressure and closed by a return spring (single acting). A port is provided so that the valve may be connected for air closing without the spring (double acting).

The valve is shipped with the following items:

- Mounting bracket kit
- Valve air hose
- Luer lock fluid line
- Fluid inlet fittings - 1/4" compression and Luer lock type
- Dispensing tip selection pack
- Oiler

TYPICAL APPLICATIONS

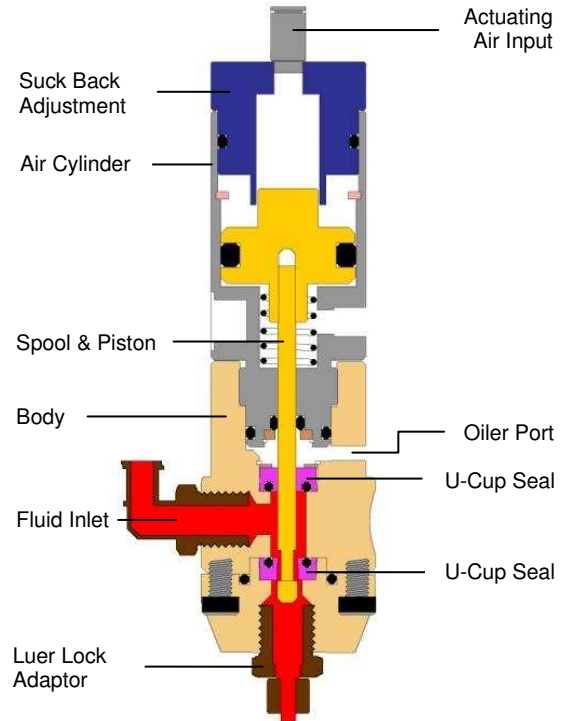
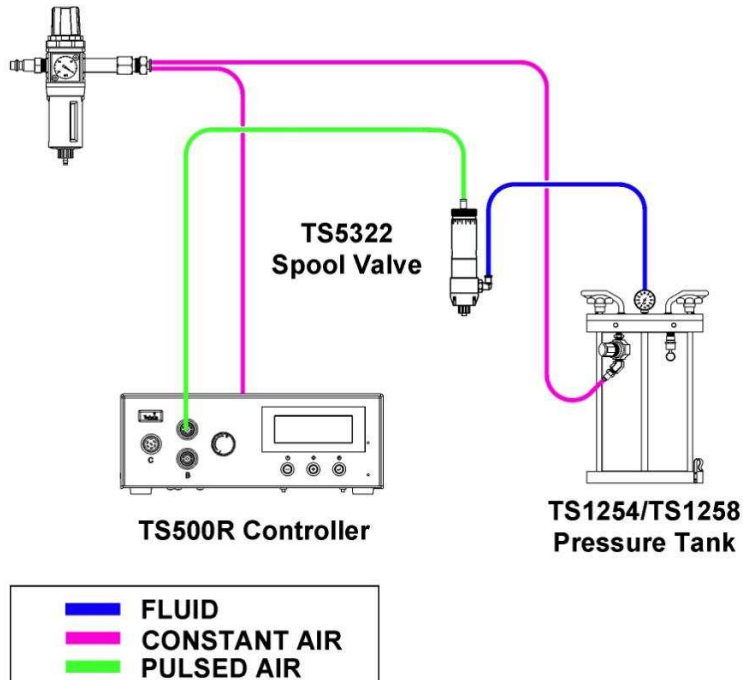
- Dispense beads of sealant to create form-in-place gaskets
- Dispensing small drops of oil into gear box
- Applying liquid flux, onto PCBA, during manufacturing process

KEY FEATURES AND BENEFITS

- Dispense precise shots of medium to high viscosity fluids
- Automatic "suck-back"
- Oiler port for moisture sensitive fluids
- Compatible with UV fluids (TS5322D)



TYPICAL SETUP



SPECIFICATIONS & PART NUMBERS

Part Number:	TS5322	TS5322D
Size (Imperial):	3.9" Length x 1.12"	3.9" Length x 1.12"
Size (Metric):	99.1mm x 28.4mm	99.1mm x 28.4mm
Weight:	0.31 lb (139g)	0.26 lb (119g)
Fluid Inlet Port:	1/8" NPT female	1/8" NPT female
Fluid Outlet Port:	Luer Lock male	Luer Lock male
Aux Air Inlet Port:	10-32 UNF female	10-32 UNF female
Activation Pressure:	70 psi (4.8bar) Min.	70 psi (4.8bar) Min.
Max Fluid Pressure:	500 psi (34.5bar)	100 psi (6.9bar)
Operating Frequency:	500+ cycles/min.	500+ cycles/min.
Mounting Port:	1/4-20 UNC-2B female	1/4-20 UNC-2B female
Viscosity Range:	1 - 1 000 000cps	1 - 300 000cps
Wetted Parts:	303 SS, Teflon®, Aluminum, EPR	303 SS, Teflon®, Delrin®, EPR

ACCESSORIES

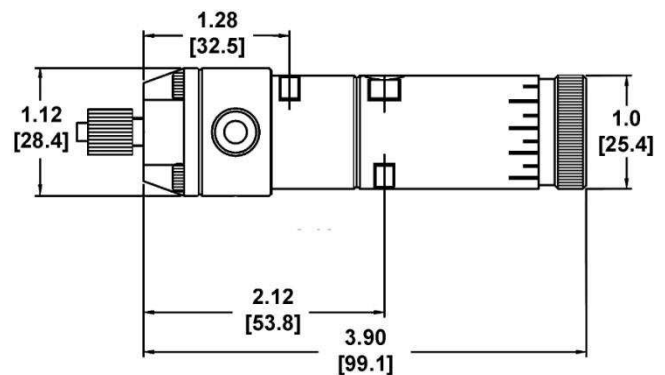
- **Fluid reservoirs:** The valve can be fed from the TS1254 or TS1258 Pressure Tank, or from any size syringe barrel or cartridge.
- **Dispensing Tips:** Precision TT Series dispensing tips, from 14 - 27 gauge, are recommended for this valve type. For the complete dispensing tip offering please visit www.techconsystems.com



LOCAL DISPENSING SOLUTIONS WORLDWIDE



Dimensions are in inches [mm]



For Sales and Support:

Techcon Systems Corporate Headquarters,
12151 Monarch Street, Garden Grove,
California, 92841, USA.

Tel: 1-714-230-2398, Fax: 1-714-230-2393

E-mail: oemorders@okinternational.com

Techcon Systems European Corporate Office,
Eagle Close, Chandler's Ford Industrial Estate,
Eastleigh, Hampshire, SO53 4NF, UK.

Tel: +44 2380 489 100, Fax: +44 2380 489 109

E-mail: europa-orders@okinternational.com

Or visit www.techconsystems.com

Teflon® is a registered trademark of E.I. DuPont. Version 2.00