



Product Data Sheet

TS1250 Series Pressure Tanks

Techcon Systems pressure tanks are designed to accommodate fluids that are supplied in bottle/container form. Constant air pressure forces the fluid from the bottle through pre-installed tubing to the point of dispense. Black fluid tubing is available for UV applications. Compression fittings are located at the center of the lid, of the pressure tanks, to ensure a continuous fluid path to the dispensing valve. Air-tight seals ensure there are no leak points or air entrapment problems and that fluid touches nothing but tubing from the pressure tank to the dispensing valve. Disposable polyethylene fluid lines can be changed quickly and easily.

The medium size TS1254 pressure tank features all of the benefits found on the TS1258 pressure tank but in a compact bench top size.

Both pressure tanks can accommodate low to medium fluids, including solvents, adhesives, as well as Cyanoacrylates (CA). Equipped with a pressure relief (safety) valve, the pressure tanks provide safe and secure dispensing for all applications.

The pressure tanks are shipped with the following items:

- Air pressure regulator (attached)
- Air hose
- Fluid tubing

TYPICAL APPLICATIONS

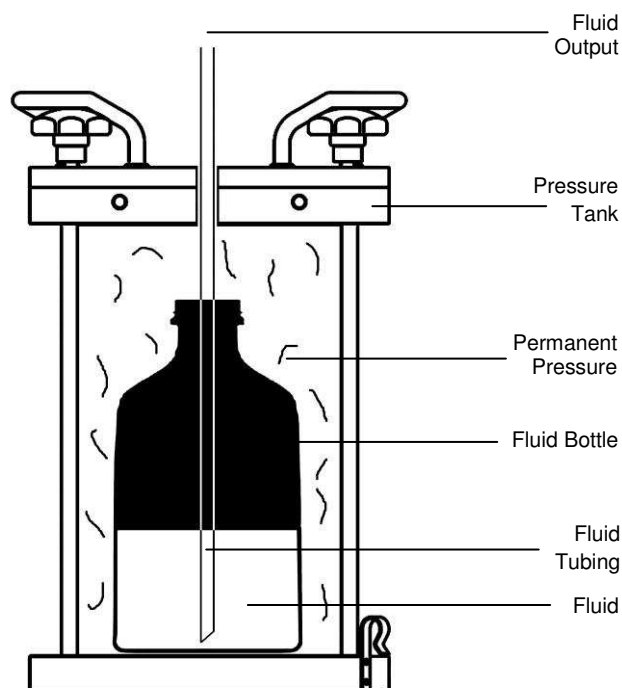
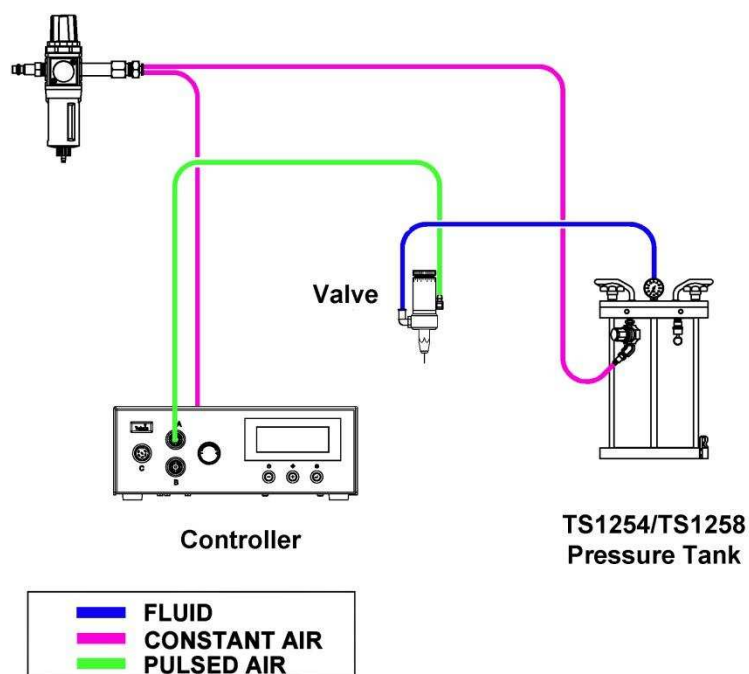
- Supplying a diaphragm valve with CA adhesive
- Supplying a 4-way manifold for multiple valve dispensing
- Supplying a spray valve with conformal coating

KEY FEATURES AND BENEFITS

- Pressure relief valve prevents over pressurizing
- Clear and black fluid tubing
- All connections mounted on the lids
- 2L and 5L capacities
- Optional tubing sizes available



TYPICAL SETUP & PRINCIPLE



SPECIFICATIONS & PART NUMBERS

Part Number:	TS1254	TS1258
Size (Imperial):	12.5" Length x 5.0"	15.0" Length x 11.0"
Size (Metric):	318mm x 127mm	381mm x 279mm
Weight:	10.4 lb (4.7kg)	21 lb (9.5kg)
Chamber (Imperial):	6.5" x 4.75"	11.0" x 6.0"
Chamber (Metric):	165mm x 121mm	279.4mm x 152mm
Chamber Capacity	1.8L	5L
Operating Pressure:	70 psi (4.8bar) Max	100 psi (6.9bar) Max
Standard Tube Size:	6mm	1/4"
Optional Tube Size:	4mm	3/8" and 4mm
Fitted Lid O-Ring:	Silicone	Viton®
Optional Lid O-Ring:	Viton®	EPR
Viscosity Range:	1 - 25 000cps	1 - 50 000cps

ACCESSORIES

- Manifold:** The pressure tanks can feed Techcon Systems TS918-46 4-Way manifold, for supplying fluids to multiple dispensing valves.
- Tubing Kits:** Tubing kits are made available for ease of connection. Tubing kits include the compression fitting, fluid tubing and top/bottom ferrules. Visit www.techconsystems.com for more information.

Available Fluid Line Kits (Polyethylene Tubing)

For TS1254

TS1252-4MM 4mm O.D tube (TS1201/TS1212 connection)
 1254-250PE 6mm O.D tube

For TS1258

TS1252-4MM 4mm O.D tube (TS1201/TS1212 connection)
 TS1258-250 1/4" O.D tube
 TS1258-375 3/8" O.D tube

Available Fluid Lines (Polyethylene Tubing)

TSD1099-22 3/8" O.D x 1/4" I.D, Black
 TSD1099-23 3/8" O.D x 1/4" I.D, Clear
 TSD1099-24 1/4" O.D x 1/8", Clear
 TSD1099-25 1/4" O.D x 1/8", Black

TSD1099-45 6mm O.D x 4mm I.D, Clear
 TSD1099-46 6mm O.D x 4mm I.D, Black

For Sales and Support:

Techcon Systems Corporate Headquarters,
 12151 Monarch Street, Garden Grove,
 California, 92841, USA.

Tel: 1-714-230-2398, Fax: 1-714-230-2393

E-mail: [OEMorders@okinternational.com](mailto: OEMorders@okinternational.com)

Techcon Systems European Corporate Office,
 Eagle Close, Chandler's Ford Industrial Estate,
 Eastleigh, Hampshire, SO53 4NF, UK.

Tel: +44 2380 489 100, Fax: +44 2380 489 109

E-mail: [europe-orders@okinternational.com](mailto: europe-orders@okinternational.com)

Or visit www.techconsystems.com



LOCAL DISPENSING SOLUTIONS WORLDWIDE

