

# VIKING

# TECHNICAL Practice

TELECOM SOLUTIONS FOR THE 21ST CENTURY

## VE-Series

Surface Mount Boxes and Pedestals

December 31, 2013

## Surface or Pedestal Mount Viking Products While Maintaining Weather and Vandal Resistance

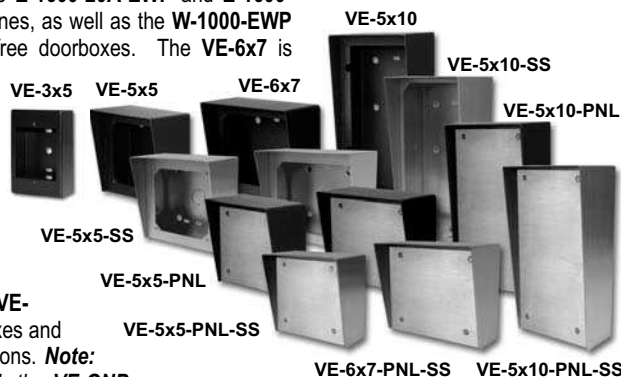


Caution: Handsfree phones are not suitable for noisy applications (see page 2).

The **VE-3x5**, **VE-5x5**, **VE-6x7** and **VE-5x10** add vandal and weather resistance, as well as versatility to many Viking products. The **VE-Series** backboxes are available in black fine texture powder painted steel or Marine Grade 316 stainless steel. The weather resistant boxes are designed to be surface mounted to a wall, post, single gang box, or a **VE-GNP** gooseneck pedestal. **Note:** The **VE-3x5** is not compatible with the **VE-GNP** pedestals and is not available in stainless steel.

The **VE-3x5** is designed to be used with the **E-40-EWP** or **E-50-EWP** Series entry phones. The **VE-5x5** is designed to be used with the **E-10A-EWP**, **E-30-EWP**, **E-30-PT-EWP**, **E-60-EWP**, **E-65-EWP**, **E-70-EWP**, **E-75-EWP** entry phones, the **E-1600-20A-EWP** and **E-1600-30A-EWP** emergency phones, as well as the **W-1000-EWP** and **W-3000-EWP** handsfree doorboxes. The **VE-6x7** is designed to be used with the **K-1700-3-EWP** and **K-1705-EWP** entry phones and the **VE-5x10** is designed to be used with the **K-1900-7-EWP** and the **K-1900-8-EWP** vandal resistant phones.

The **VE-GNP** gooseneck pedestals are designed to be used with the **VE-5x5**, **VE-6x7** and **VE-5x10** backboxes and are ideal for drive up communications. **Note:** The **VE-3x5** is not compatible with the **VE-GNP** pedestals. The **VE-PNL's** are **VE-Series** backboxes with a blank aluminum panel. The user can customize the clear-coated aluminum panel to mount an **PRX-1** card reader, **PRX-2** keypad or switch. The kits come complete with box, gasket, panel and screws. Model numbers that end with "SS" are stainless steel version. **Note:** The use of magnets to mount the **VE-Series** enclosure to a metal surface can affect the operation of the enclosed product.



## Features

- Surface mounts to a wall, post or single gang box
- **VE-5x5** mounts to a single or double gang box
- **VE-5x5**, **VE-6x7** and **VE-5x10** mount to the **VE-GNP** gooseneck pedestals
- **VE-PNL's** blank aluminum panels are easy to modify
- Adds weather and vandal resistance
- Heavy duty, black powder painted steel or stainless steel

Model	Shipping Weight (each)
VE-3x5	0.45 kg (1 lb)
VE-5x5 / SS / PNL	0.9 kg (2 lbs)
VE-6x7 / SS / PNL	0.9 kg (2 lbs)
VE-5x10 / SS / PNL	1.36 kg (3 lbs)
VE-GNP	8.2 kg (18 lbs)
VE-GNP-SS	4.5 kg (10 lbs)
VE-GNP-2	13.6 kg (30 lbs)
VE-GNP-IG	10.2 kg (22.5 lbs)

## Applications

- The **VE-Series** Surface Mount Boxes are designed to surface mount the following products:

Model	DOD#	VE Model
E-10A-EWP	210	VE-5x5 / SS
E-30-EWP	212	VE-5x5 / SS
E-30-PT-EWP	214	VE-5x5 / SS
E-35-EWP	178	VE-5x5 / SS
E-40-EWP Series	187	VE-3x5
E-50-EWP Series	191	VE-3x5
E-60-EWP Series	206	VE-5x5 / SS
E-65-EWP Series	203	VE-5x5 / SS
E-70-EWP Series	207	VE-5x5 / SS
E-75-EWP Series	208	VE-5x5 / SS
E-1600-20A-EWP	215	VE-5x5 / SS
E-1600-30A-EWP	215	VE-5x5 / SS
K-1200-EWP	182	VE-5x10 / SS
K-1205-EWP	183	VE-5x10 / SS
K-1700-3-EWP	157	VE-6x7 / SS
K-1705-3-EWP	159	VE-6x7 / SS
K-1900-7-EWP	360	VE-5x10 / SS
K-1900-8-EWP	362	VE-5x10 / SS
W-1000-EWP	170	VE-5x5 / SS
W-3000-EWP	180	VE-5x5 / SS
W-3005-EWP	181	VE-5x5 / SS

Phone... 715.386.8861  
<http://www.vikingelectronics.com>

## IF YOU HAVE A PROBLEM WITH A VIKING PRODUCT PLEASE CONTACT: VIKING TECHNICAL SUPPORT AT (715) 386-8666

Our Technical Support Department is available for assistance Monday 8am - 4pm and Tuesday to Friday 8am - 5pm central standard time. So that we can give you better service, before you call please:

1. Know the model number, the serial number and what software version you have (see serial label).
2. Have your Technical Practice in front of you.
3. It is best if you are on site.

### RETURNING PRODUCT FOR REPAIR

The following procedure is for equipment that needs repair:

1. Customer must contact Viking's Technical Support Department at 715-386-8666 to obtain a Return Authorization (RA) number. The customer MUST have a complete description of the problem, with all pertinent information regarding the defect, such as options set, conditions, symptoms, methods to duplicate problem, frequency of failure, etc.
2. Packing: Return equipment in original box or in proper packing so that damage will not occur while in transit. Static sensitive equipment such as a circuit board should be in an anti-static bag, sandwiched between foam and individually boxed. All equipment should be wrapped to avoid packing material lodging in or sticking to the equipment. Include ALL parts of the equipment. C.O.D. or freight collect shipments cannot be accepted. Ship cartons prepaid to:  
**Viking Electronics, 1531 Industrial Street, Hudson, WI 54016**
3. Return shipping address: Be sure to include your return shipping address inside the box. We cannot ship to a P.O. Box.
4. RA number on carton: In large printing, write the R.A. number on the outside of each carton being returned.

### RETURNING PRODUCT FOR EXCHANGE

The following procedure is for equipment that has failed out-of-box (within 10 days of purchase):

1. Customer must contact Viking's Technical Support at 715-386-8666 to determine possible causes for the problem. The customer MUST be able to step through recommended tests for diagnosis.
2. If the Technical Support Product Specialist determines that the equipment is defective based on the customer's input and troubleshooting, a Return Authorization (R.A.) number will be issued. This number is valid for fourteen (14) calendar days from the date of issue.
3. After obtaining the R.A. number, return the approved equipment to your distributor, referencing the R.A. number. Your distributor will then replace the product over the counter at no charge. The distributor will then return the product to Viking using the same R.A. number.
4. **The distributor will NOT exchange this product without first obtaining the R.A. number from you. If you haven't followed the steps listed in 1, 2 and 3, be aware that you will have to pay a restocking charge.**

### TWO YEAR LIMITED WARRANTY

Viking warrants its products to be free from defects in the workmanship or materials, under normal use and service, for a period of two years from the date of purchase from any authorized Viking distributor. If at any time during the warranty period, the product is deemed defective or malfunctions, return the product to Viking Electronics, Inc., 1531 Industrial Street, Hudson, WI., 54016. Customer must contact Viking's Technical Support Department at 715-386-8666 to obtain a Return Authorization (R.A.) number.

This warranty does not cover any damage to the product due to lightning, over voltage, under voltage, accident, misuse, abuse, negligence or any damage caused by use of the product by the purchaser or others. This warranty does not cover non-EWP products that have been exposed to wet or corrosive environments. This warranty does not cover stainless steel surfaces that have not been properly maintained.

**NO OTHER WARRANTIES.** VIKING MAKES NO WARRANTIES RELATING TO ITS PRODUCTS OTHER THAN AS DESCRIBED ABOVE AND DISCLAIMS ANY EXPRESS OR IMPLIED WARRANTIES OR MERCHANTABILITY OR FITNESS FOR ANY PARTICULAR PURPOSE.

**EXCLUSION OF CONSEQUENTIAL DAMAGES.** VIKING SHALL NOT, UNDER ANY CIRCUMSTANCES, BE LIABLE TO PURCHASER, OR ANY OTHER PARTY, FOR CONSEQUENTIAL, INCIDENTAL, SPECIAL OR EXEMPLARY DAMAGES ARISING OUT OF OR RELATED TO THE SALE OR USE OF THE PRODUCT SOLD HEREUNDER.

**EXCLUSIVE REMEDY AND LIMITATION OF LIABILITY.** WHETHER IN AN ACTION BASED ON CONTRACT, TORT (INCLUDING NEGLIGENCE OR STRICT LIABILITY) OR ANY OTHER LEGAL THEORY, ANY LIABILITY OF VIKING SHALL BE LIMITED TO REPAIR OR REPLACEMENT OF THE PRODUCT, OR AT VIKING'S OPTION, REFUND OF THE PURCHASE PRICE AS THE EXCLUSIVE REMEDY AND ANY LIABILITY OF VIKING SHALL BE SO LIMITED.

IT IS EXPRESSLY UNDERSTOOD AND AGREED THAT EACH AND EVERY PROVISION OF THIS AGREEMENT WHICH PROVIDES FOR DISCLAIMER OF WARRANTIES, EXCLUSION OF CONSEQUENTIAL DAMAGES, AND EXCLUSIVE REMEDY AND LIMITATION OF LIABILITY, ARE SEVERABLE FROM ANY OTHER PROVISION AND EACH PROVISION IS A SEPARABLE AND INDEPENDENT ELEMENT OF RISK ALLOCATION AND IS INTENDED TO BE ENFORCED AS SUCH.

## Installation and Specifications

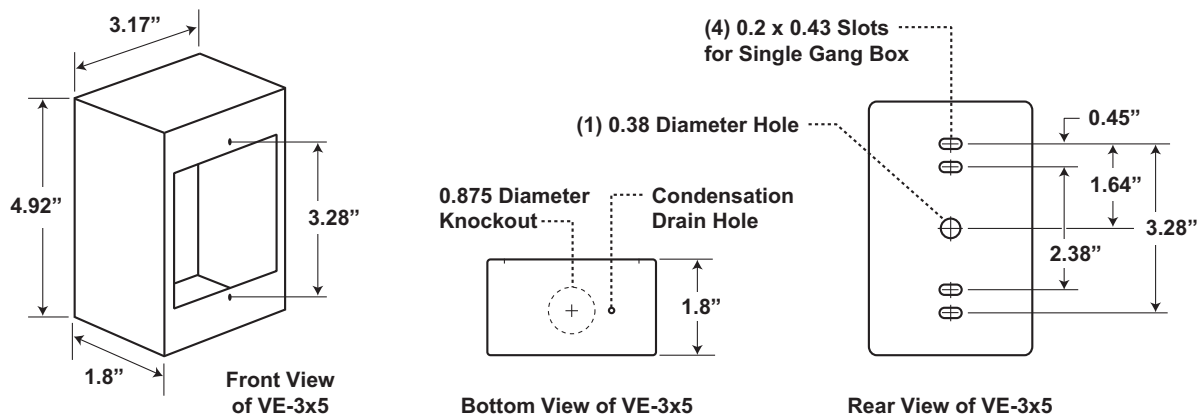
**Important:** The Viking handsfree phones cannot be used in applications where there is a high level of background noise, such as a diesel truck idling. At these levels, the user will experience "one way talk path" and not be able to hear the person at the distant end. In applications where there is a high level of background noise, the model **K-1900-7-EWP**, **K-1900-8-EWP**, **W-3000-EWP** (in push-to-talk mode) or **E-30-PT-EWP** are recommended.

### A. VE-3x5 Surface Mount Box

**Material:** 16 gauge CRS

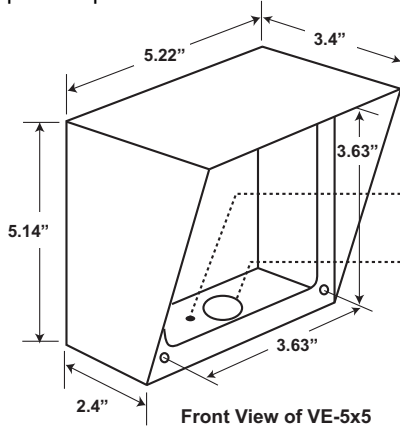
**Finish:** UV stable black fine texture powder paint

**Important:** The **VE-3x5** is not compatible with the **VE-GNP** pedestals.

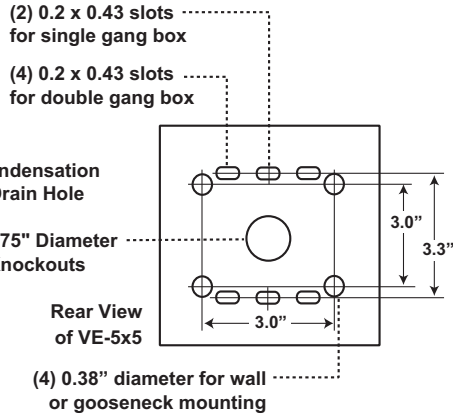


## B. VE-5x5 / VE-5x5-SS Surface Mount Box

**Material:** 16 gauge CRS  
**Finish:** UV stable black fine texture powder paint

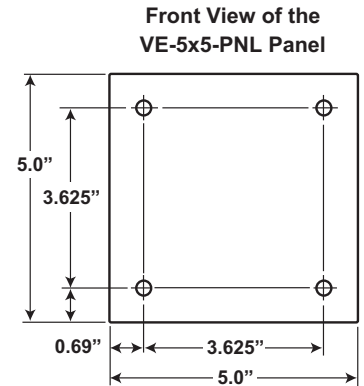


**Material:** 0.062 Marine Grade 316 stainless steel  
**Finish:** #4B brushed



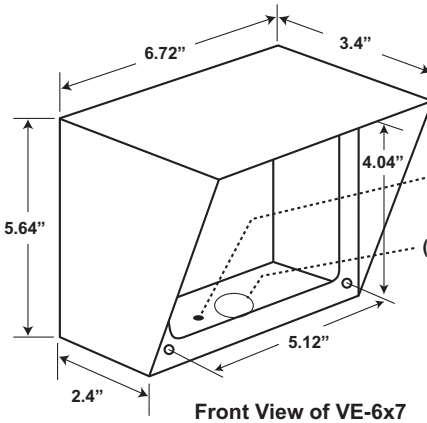
## C. VE-5x5-PNL/SS Panel

**Material:** 12 gauge aluminum  
**Finish:** UV stable clear gloss powder paint

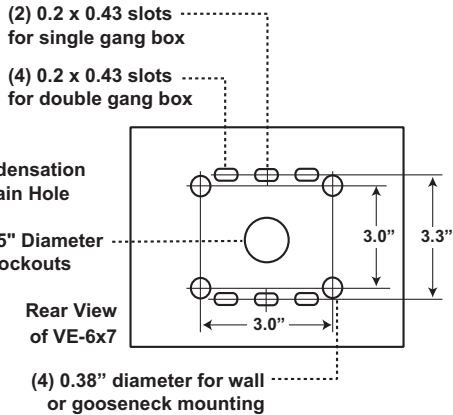


## D. VE-6x7 / VE-6x7-SS Surface Mount Box

**Material:** 16 gauge CRS  
**Finish:** UV stable black fine texture powder paint

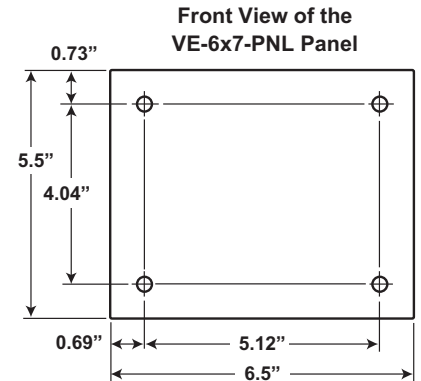


**Material:** 0.062 Marine Grade 316 stainless steel  
**Finish:** #4B brushed



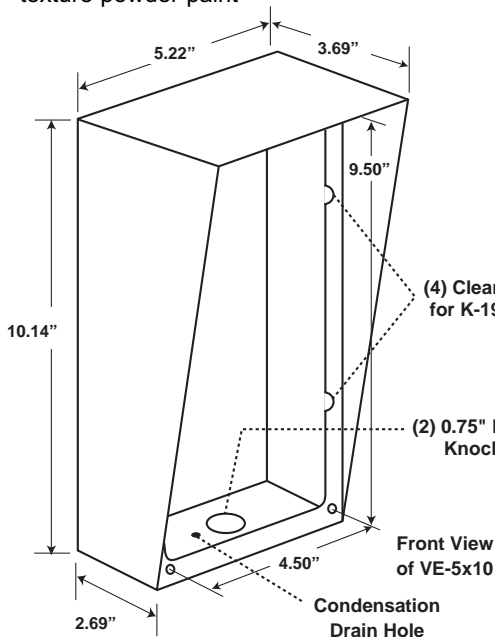
## E. VE-6x7-PNL/SS Panel

**Material:** 12 gauge aluminum  
**Finish:** UV stable clear gloss powder paint

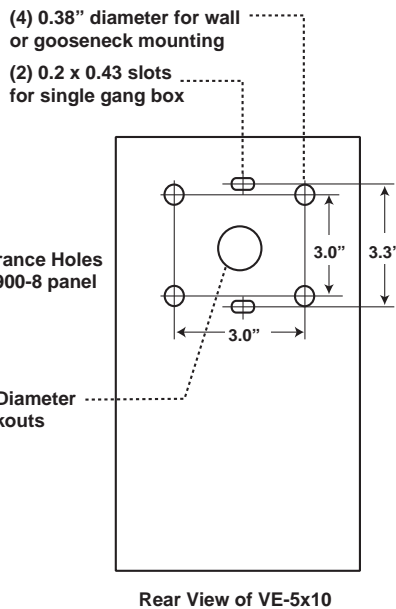


## F. VE-5x10 / VE-5x10-SS Surface Mount Box

**Material:** 16 gauge CRS  
**Finish:** UV stable black fine texture powder paint

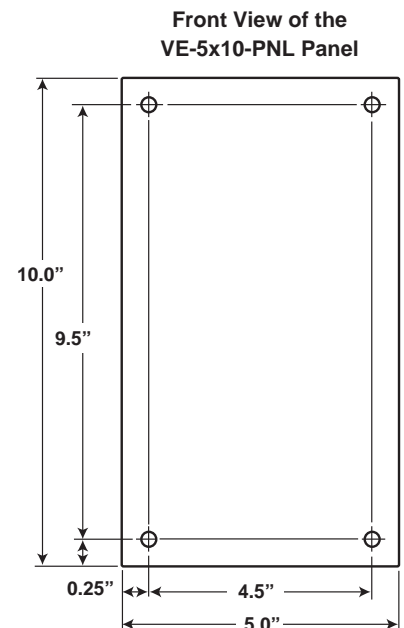


**Material:** 0.062 Marine Grade 316 stainless steel  
**Finish:** #4B brushed



## G. VE-5x10-PNL/SS Panel

**Material:** 12 gauge aluminum  
**Finish:** UV stable clear gloss powder paint



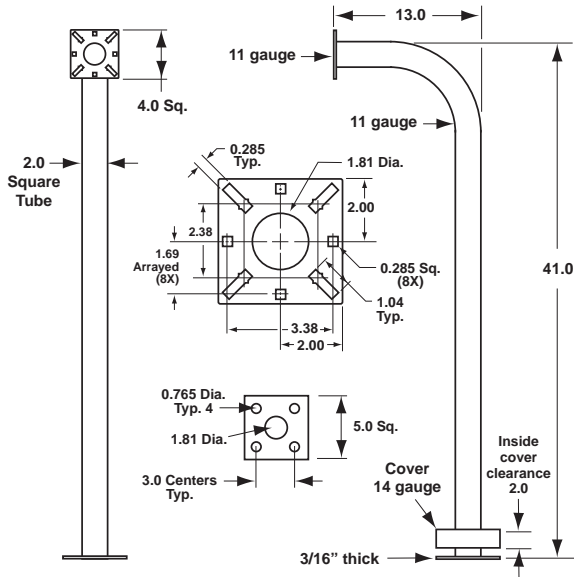
## H. VE-GNP Gooseneck Pedestal

**Description:** 42" tall, pad mount, steel gooseneck pedestal. Universal car height for most applications.

**Material:** CRS (see gauges below)

**Finish:** UV stable black wrinkle powder paint

**Note:** Adhere included gasket to back of **VE-Series** backbox then fasten backbox to pedestal.



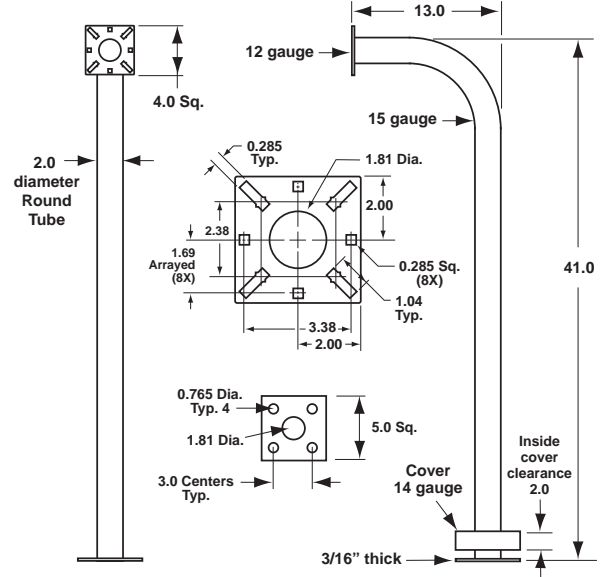
## I. VE-GNP-SS Gooseneck Pedestal

**Description:** 42" tall, pad mount, stainless steel gooseneck pedestal. Universal car height for most applications.

**Material:** 304 Stainless Steel (see gauges below)

**Finish:** #4B Brushed

**Note:** Adhere included gasket to back of **VE-Series** backbox then fasten backbox to pedestal.



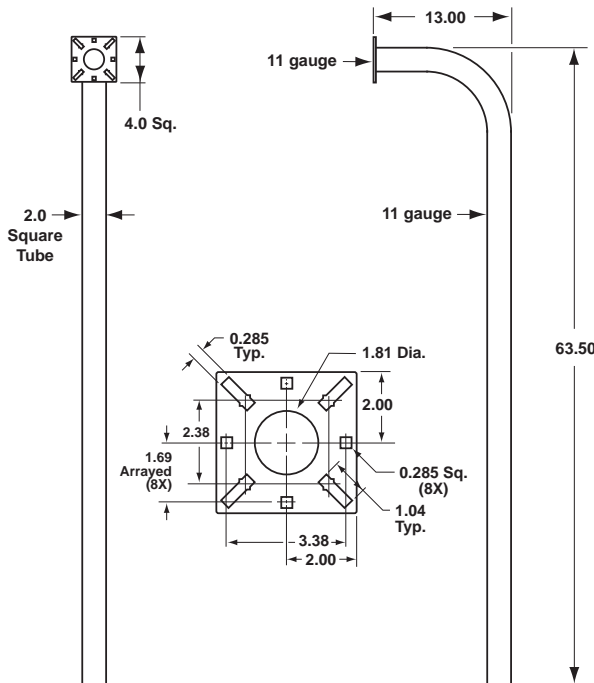
## J. VE-GNP-IG

**Description:** 64" tall, in-ground/wet cement mount, steel gooseneck pedestal. Insert bottom approximately 22" into ground/cement for 42" tall pedestal (universal car height for most applications).

**Material:** CRS (11 gauge)

**Finish:** UV stable black wrinkle powder paint

**Note:** Adhere included gasket to back of **VE-Series** backbox then fasten backbox to pedestal.



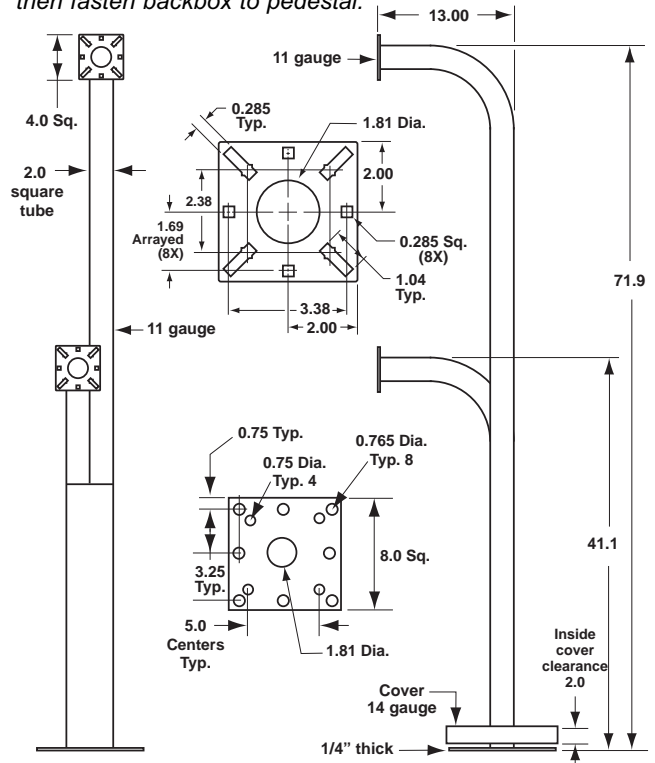
## K. VE-GNP-2 Gooseneck Pedestal

**Description:** 42"/72" tall, dual-height, pad mount, steel gooseneck pedestal. Ideal for both car and truck applications.

**Material:** CRS (see gauges below)

**Finish:** UV stable black wrinkle powder paint

**Note:** Adhere included gasket to back of **VE-Series** backbox then fasten backbox to pedestal.



**Product Support Line...715.386.8666**

**Fax Back Line...715.386.4345**

Due to the dynamic nature of the product design, the information contained in this document is subject to change without notice. Viking Electronics, and its affiliates and/or subsidiaries assume no responsibility for errors and omissions contained in this information. Revisions of this document or new editions of it may be issued to incorporate such changes.