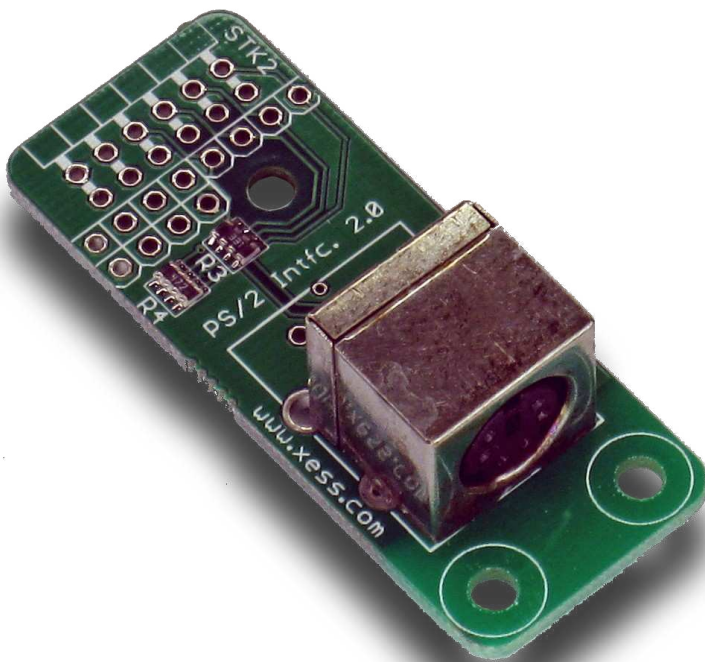


StickIt! PS/2 Manual

*How to install and use your new
StickIt! PS/2 Module*



XESS is disclosing this Document and Intellectual Property (hereinafter “the Design”) to you for use in the development of designs to operate on, or interface with XESS hardware devices. XESS expressly disclaims any liability arising out of the application or use of the Design. XESS reserves the right to make changes, at any time, to the Design as deemed desirable in the sole discretion of XESS. XESS assumes no obligation to correct any errors contained herein or to advise you of any correction if such be made. XESS will not assume any liability for the accuracy or correctness of any engineering or technical support or assistance provided to you in connection with the Design.

THE DESIGN IS PROVIDED “AS IS” WITH ALL FAULTS, AND THE ENTIRE RISK AS TO ITS FUNCTION AND IMPLEMENTATION IS WITH YOU. YOU ACKNOWLEDGE AND AGREE THAT YOU HAVE NOT RELIED ON ANY ORAL OR WRITTEN INFORMATION OR ADVICE, WHETHER GIVEN BY XESS, OR ITS AGENTS OR EMPLOYEES. XESS MAKES NO OTHER WARRANTIES, WHETHER EXPRESS, IMPLIED, OR STATUTORY, REGARDING THE DESIGN, INCLUDING ANY WARRANTIES OF MERCHANTABILITY, FITNESS FOR A PARTICULAR PURPOSE, TITLE, AND NONINFRINGEMENT OF THIRD-PARTY RIGHTS.

IN NO EVENT WILL XESS BE LIABLE FOR ANY CONSEQUENTIAL, INDIRECT, EXEMPLARY, SPECIAL, OR INCIDENTAL DAMAGES, INCLUDING ANY LOST DATA AND LOST PROFITS, ARISING FROM OR RELATING TO YOUR USE OF THE DESIGN, EVEN IF YOU HAVE BEEN ADVISED OF THE POSSIBILITY OF SUCH DAMAGES. THE TOTAL CUMULATIVE LIABILITY OF XESS IN CONNECTION WITH YOUR USE OF THE DESIGN, WHETHER IN CONTRACT OR TORT OR OTHERWISE, WILL IN NO EVENT EXCEED THE AMOUNT OF FEES PAID BY YOU TO XESS HEREUNDER FOR USE OF THE DESIGN. YOU ACKNOWLEDGE THAT THE FEES, IF ANY, REFLECT THE ALLOCATION OF RISK SET FORTH IN THIS AGREEMENT AND THAT XESS WOULD NOT MAKE AVAILABLE THE DESIGN TO YOU WITHOUT THESE LIMITATIONS OF LIABILITY.

The Design is not designed or intended for use in the development of on-line control equipment in hazardous environments requiring fail-safe controls, such as in the operation of nuclear facilities, aircraft navigation or communications systems, air traffic control, life support, or weapons systems (“High-Risk Applications”). XESS specifically disclaims any express or implied warranties of fitness for such High-Risk Applications. You represent that use of the Design in such High-Risk Applications is fully at your risk.

© 2013 XESS, Inc. XESS, the XESS logo, and other designated brands included herein are trademarks of XESS Corporation. PMOD is a trademark of Digilent Inc. All other trademarks are the property of their respective owners.



This document is licensed under the Attribution-ShareAlike 3.0 Unported license, available at <http://creativecommons.org/licenses/by-sa/3.0/>.

StickIt! PS/2 Manual
MAN005 (V2.0) Dave VandeboutDave VandeboutDave VandeboutDave
VandeboutOctober 17, 2013

The following table shows the revision history for this document.

Date	Version	Revision
02/03/2012	1.0	Initial release for StickIt! PS/2 module V1.0.
10/17/2013	2.0	Image changes for StickIt! PS/2 module V2.0.

Table of Contents

- C.1 Preliminaries..... 1**
 - Getting Help!..... 1
 - Take Notice!..... 1
 - Packing List..... 1
- C.2 Setup..... 2**
 - Inserting Your StickIt! PS/2 Module Into Your StickIt! Board..... 2
 - Inserting Into a PMOD Socket..... 2
 - Inserting Into a Wing Socket..... 3
- C.3 Operation..... 5**
- C.4 Using the Module..... 6**
- A.1 I/O Locations..... 7**
- A.2 Schematic..... 8**

C.1 Preliminaries

Here's some helpful information before getting started.

Getting Help!

Here are some places to get help if you encounter problems:

- If you can't get the StickIt! PS/2 module to work, send an e-mail message describing your problem to help@xess.com or submit a problem report at <http://www.xess.com/help.php>.
- Our web site also has
 - answers to frequently-asked-questions,
 - example designs, application notes and tutorials,
 - a forum where you can post questions.

Take Notice!

It's pretty hard to get in trouble with this module.

Packing List

Here is what you should have received in your package:

- a StickIt! PS/2 module.
- PMOD™ male header.
- Wing male headers (8-pin & 4-pin).

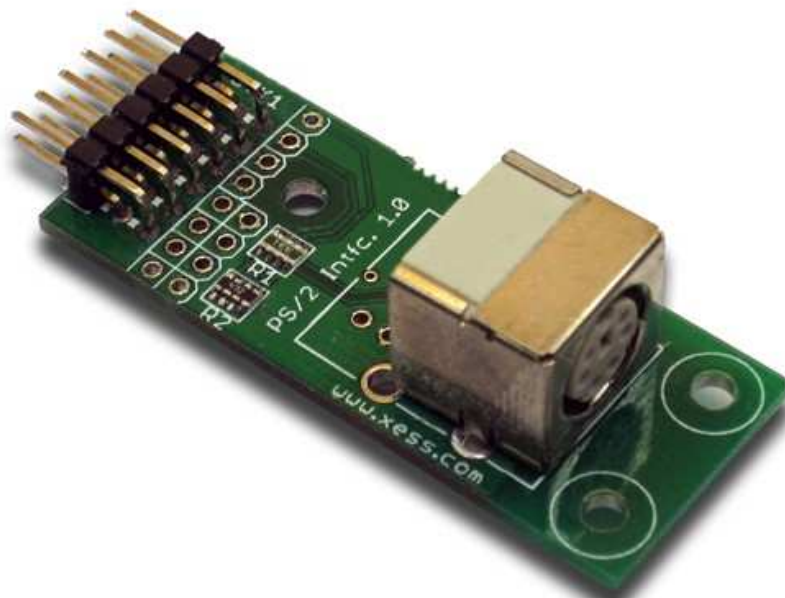
C.2 Setup

The StickIt! PS/2 module provides one or two PS/2 sockets that connect to a four-bit or eight-bit PMOD or a Wing socket on your StickIt! board.

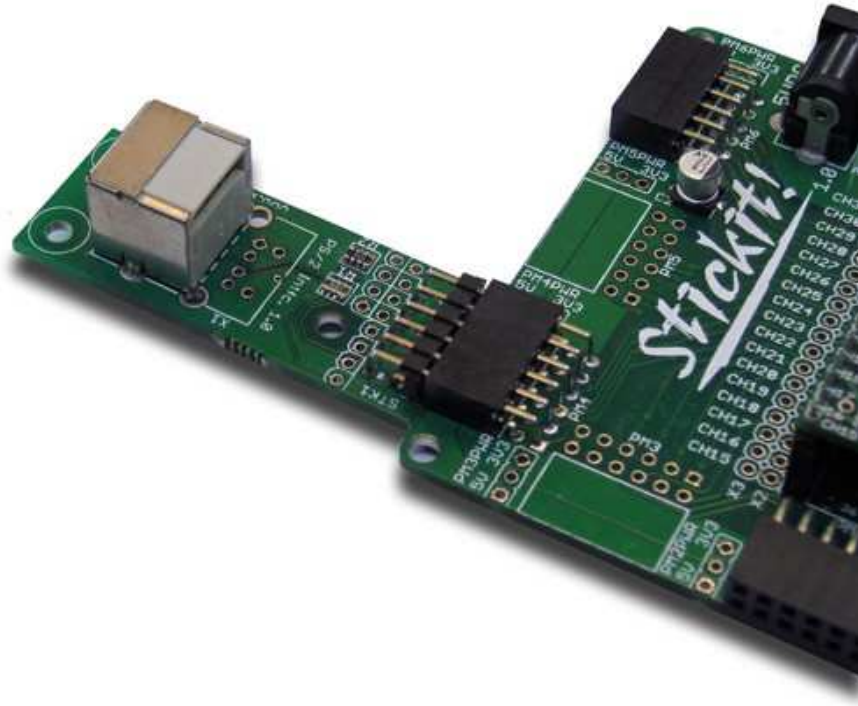
Inserting Your StickIt! PS/2 Module Into Your StickIt! Board

Inserting Into a PMOD Socket

To use the StickIt! PS/2 module with a PMOD socket, first solder the included male PMOD header to the module as shown. (**To insure a stable connection, only use a header with 0.025" square pins.**)

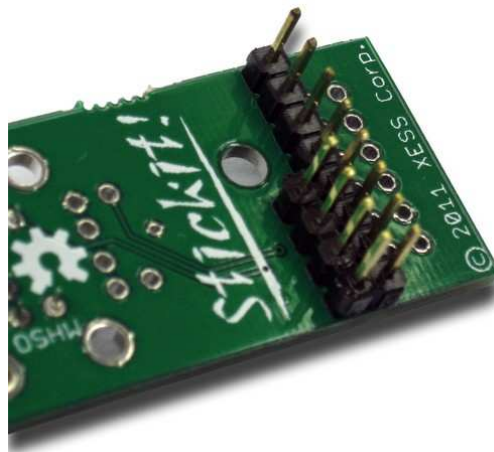


Then insert the module into one of the PMOD sockets on the StickIt! Board and plug in a PS/2 keyboard. The keyboard gets its power through the PS/2 socket from either the +3.3V or +5V supply, so set the voltage selection jumper for the PMOD socket appropriately. (Many keyboards will run off of either voltage, so try the default +3.3V setting first.)

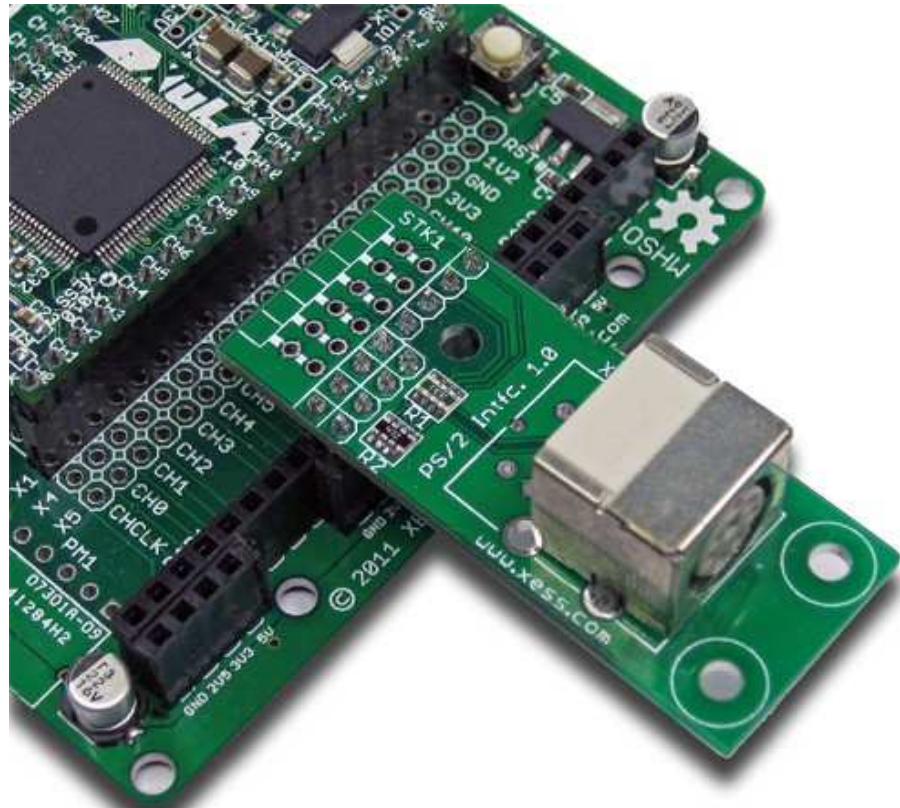


Inserting Into a Wing Socket

To use the StickIt! PS/2 module with a Wing socket, first solder the included male Wing headers to the module as shown. (**To insure a stable connection, only use a header with 0.025" square pins.**)



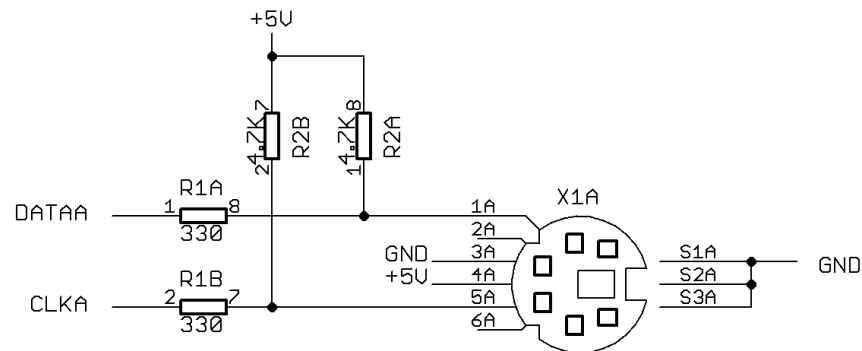
Then insert the module into one of the eight-bit Wing sockets on the StickIt! board.



C.3 Operation

This chapter describes the operation of the StickIt! PS/2 module using a simplified schematic. You can find a complete [schematic](#) at the end of this manual.

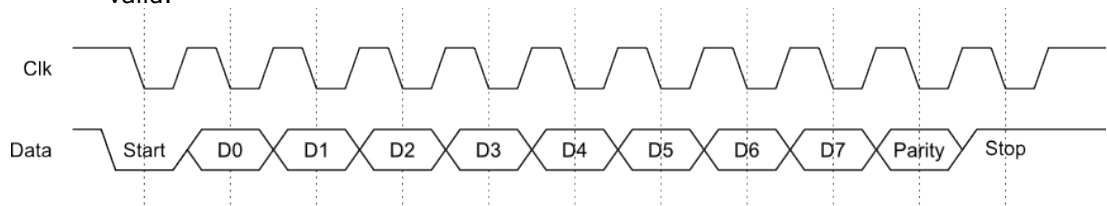
The StickIt! PS/2 module has two identical and independent interface circuits and PS/2 sockets. Each circuit consists of a PS/2 socket, two pull-up resistors and two series current-limiting resistors that allow a 5V keyboard to drive the 3.3V pins of the FPGA without causing damage.



A keyboard attached to the PS/2 socket delivers two signals:

Data: This signal carries the serial data stream as each key is pressed and released. [Each key is assigned an eight-bit scan code](#) that is transmitted from least-significant to most-significant bit with a preceding start bit and a terminating parity bit and stop bit.

Clk: The falling edge of this signal indicates when the next bit of the serial data signal is valid.



A single scan code is transmitted when a key is pressed. But two scan codes are transmitted when the key is released: an initial scan code of 11110000 to indicate the key release, and then the scan code for the key is sent again.

C.4 *Using the Module*

To use the StickIt! PS/2 module, you will need to do the following:

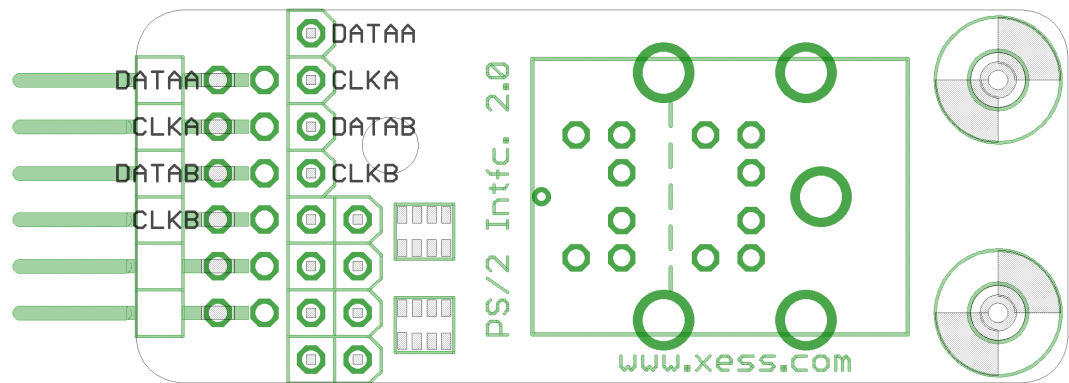
- Create a Xilinx ISE FPGA project and write some HDL code for gathering the serial scan codes from a PS/2 keyboard.
- Attach the module to either a PMOD or Wing socket on the StickIt! board.
- Determine the channel signals on the PMOD or Wing socket that connect to each I/O pin of the module.
- Find which FPGA pin of the XuLA board connects to each channel signal.
- Make a UCF file associating each FPGA pin with an I/O pin of the module.
- Include the UCF file in your ISE project.

That's a lot of work just to get a keypress, so we've done most of it for you. Just go to <http://github.com/xesscorp/StickIt>. There, you will find a subdirectory with a Xilinx ISE project that includes:

- a PS/2 keyboard-scanning HDL module,
- an example that uses the keyboard-scanning module and an LED Charlieplexing module to detect and display the pressed button,
- and a UCF file containing the FPGA pin assignments to use when installing the StickIt! PS/2 module into any of the PMOD or Wing sockets.

A.1 I/O Locations

The connections of the I/O signals to the PMOD and Wing headers of the StickIt! PS/2 module are shown below.



A.2 Schematic

