

Trim-Slice

User's Guide



Trim Slice
cool in more than one way

Contents

Contents	2
Package Contents	4
Trim-Slice Features	5
Trim-Slice Overview	6
Front View.....	6
Rear View	6
Side View.....	7
Getting started with Trim-Slice	8
Connecting a display	8
Connecting keyboard and mouse.....	8
Connecting power.....	9
Turning on the system	10
System login	10
Using Trim-Slice	11
Power button.....	11

Power LED.....	11
Audio.....	11
Serial port	12
Micro-SD card.....	12
Video input.....	13
Wireless USB adapters	13
Trim-Slice Software	14
General	14
Boot-loader	14
System recovery	15

Package Contents

- Trim-Slice computer
- 12V DC power supply unit
- Power supply AC blade
- HDMI to DVI adapter cable
- Mini serial to DB-9 adapter cable
- 3.5mm to RCA adapter cable
- WiFi antenna (*)
- User's guide

(*) Optional item. Availability depends on Trim-Slice model configuration.

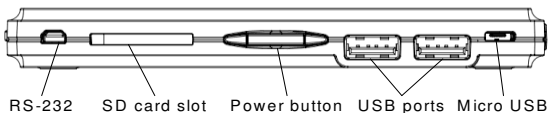
Trim-Slice Features

CPU	NVIDIA Tegra2
GPU	Ultra low-power GeForce
RAM	1GB DDR2-800
Storage	32GB SSD ^(*)
Display	HDMI 1.3 1920 x 1080
	DVI 1680 x 1050 ^(*)
Audio	S/PDIF 5.1 channels
	Stereo line-out, line-in
Video input	Composite analog NTSC / PAL ^(*)
WiFi	802.11n, modular ^(*)
Bluetooth	Bluetooth V2.1+EDR, modular ^(*)
Ethernet	1000 BaseT Ethernet
USB	4 ports USB 2.0 480Mbps
SD	Full-size SD socket, SDHC
	Micro-SD socket, SDHC
Serial	RS232
Power	12V DC

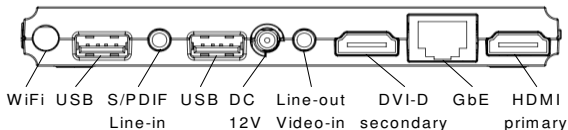
^(*) Optional feature. Availability depends on Trim-Slice model configuration.

Trim-Slice Overview

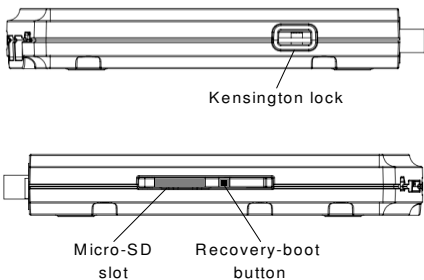
Front View



Rear View



Side View



Getting started with Trim-Slice

Connecting a display

HDMI display

Connect the display to the Trim-Slice HDMI primary display output using a standard HDMI cable.

DVI display

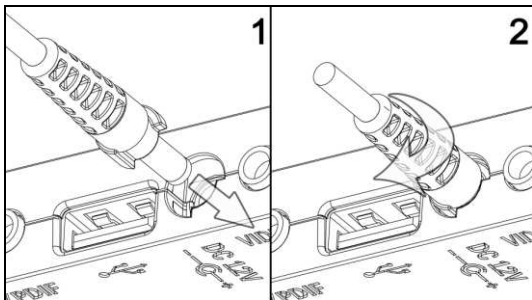
Connect the display to the Trim-Slice HDMI primary display output using a standard DVI cable and the HDMI to DVI adapter included in this package.

Connecting keyboard and mouse

Connect USB mouse and keyboard devices to the Trim-Slice USB connectors.

Connecting power

- Insert the AC power-supply blade into the power supply unit.
- Insert the power supply plug into the Trim-Slice power jack. Turn the power plug clock-wise to lock the plug.



Turning on the system

- Plug the power supply unit into an AC outlet.
- Trim-Slice will turn on and boot.

System login

Log into the O/S using the following user details:

Username:	trim
Password:	111111

Using Trim-Slice

Power button

The Trim-Slice power button controls the system power state. Pressing the button for more than 5 seconds, shuts down the system. When the system is shut down, pressing the power button turns on the Trim-Slice.

Power LED

The Trim-Slice power LED indicates the system power state. When the system is active, the LED is on. When the system is shut down, the LED flashes briefly, once every 4 seconds.

Audio

Analog audio

Standard stereo 3.5mm audio cables should be used to connect the Trim-Slice analog line-out and line-in with external audio devices.

S/PDIF

The Trim-Slice S/PDIF output is implemented on the additional pin of the line-in audio jack. Use the 3.5mm to RCA adapter included in this package and a standard RCA cable to connect the Trim-Slice to an external S/PDIF device.

Video input

The Trim-Slice video input is implemented on the additional pin of the line-out audio jack. Use the 3.5mm to RCA adapter included in this package and a standard RCA cable to connect the Trim-Slice to an external analog video source.

Wireless USB adapters

Wireless USB adapters with miniature internal antennas may exhibit poor signal quality when plugged directly into Trim-Slice USB ports. For better signal quality it is recommended to use the type-A USB extender cable in order to distance wireless USB adapters from the Trim-Slice enclosure.

Trim-Slice Software

General

The Trim-Slice is a flexible and software-open platform supporting a variety of operating systems. For further information and documentation please visit

<http://trimslice.com/web/support>

Boot-loader

The Trim-Slice utilizes U-Boot as the system boot-loader responsible for initializing the system and loading the O/S. The U-Boot is a flexible, feature-rich, open-source boot-loader used in a broad range of embedded devices. For further information please refer to the links below:

<http://trimslice.com/web/support>

<http://www.denx.de>

System recovery

In case of firmware or O/S corruption, the Trim-Slice design allows full system recovery by using a downloadable recovery image and a standard SD card. For recovery instructions please refer to

<http://trimslice.com/web/support>



Trim-Slice

Manufacturer: CompuLab Ltd.

This device complies with Part 15 of the FCC Rules.

Operation is subject to the following two conditions:

- (1) This device may not cause harmful interference, and
- (2) This device must accept any interference received, including interference that may cause undesired operation.

Statement

Changes or modifications to this equipment not expressly approved by the party responsible for compliance (CompuLab Ltd.) could void the user's authority to operate the equipment.

Statement

NOTE: This equipment has been tested and found to comply with the limits for a Class B digital device, pursuant to part 15 of the FCC Rules. These limits are designed to provide reasonable protection against harmful interference in a residential installation. This equipment generates, uses and can radiate radio frequency energy and, if not installed and used in accordance with the instructions, may cause harmful interference to radio communications. However, there is no guarantee that interference will not occur in a particular installation. If this equipment does cause harmful interference to radio or television reception, which can be determined by turning the equipment off and on, the user is encouraged to try to correct the interference by one or more of the following measures:

- Reorient or relocate the receiving antenna.
- Increase the separation between the equipment and receiver.
- Connect the equipment into an outlet on a circuit different from that to which the receiver is connected.
- Consult the dealer or an experienced radio/TV technician for help.