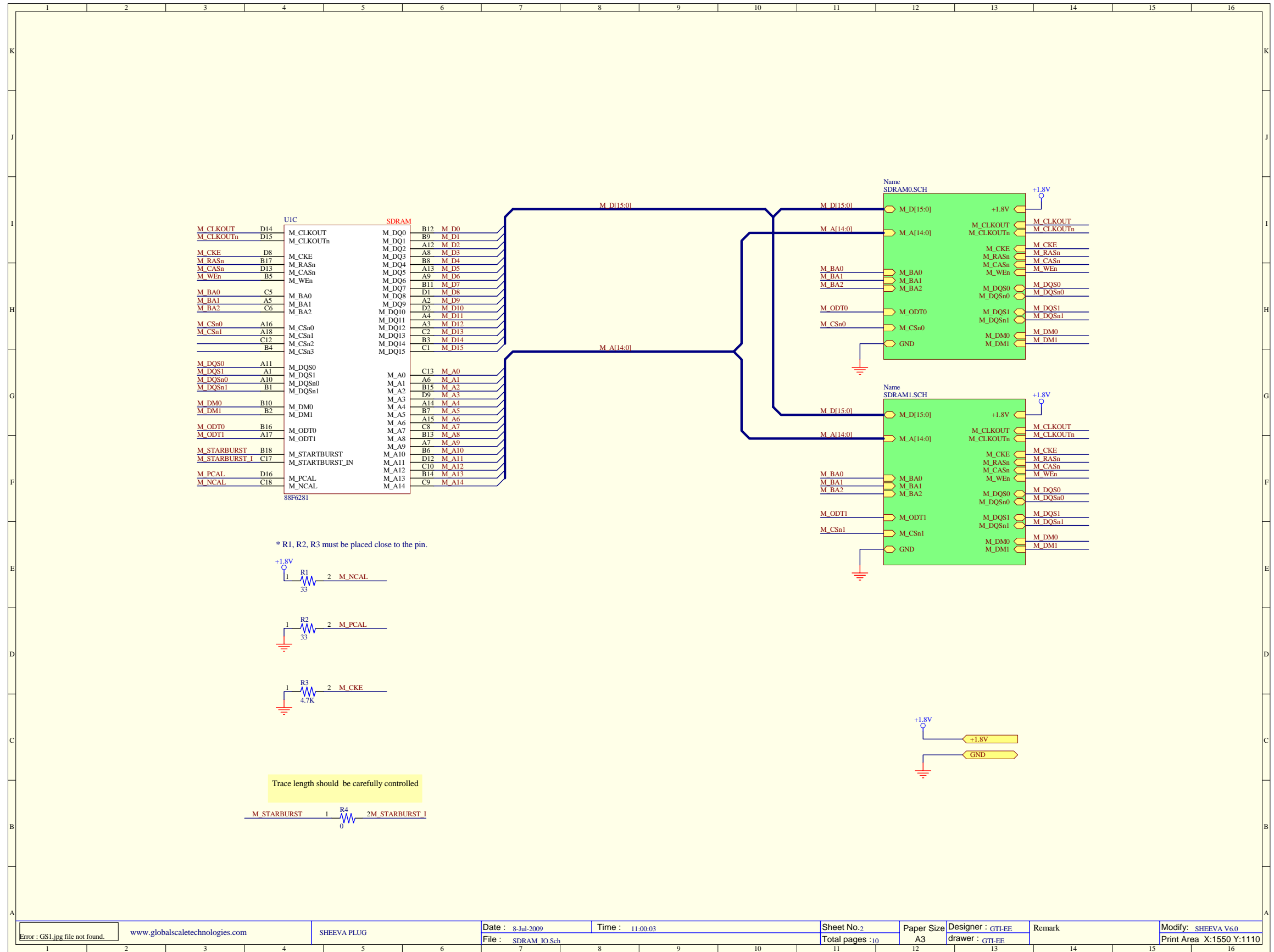
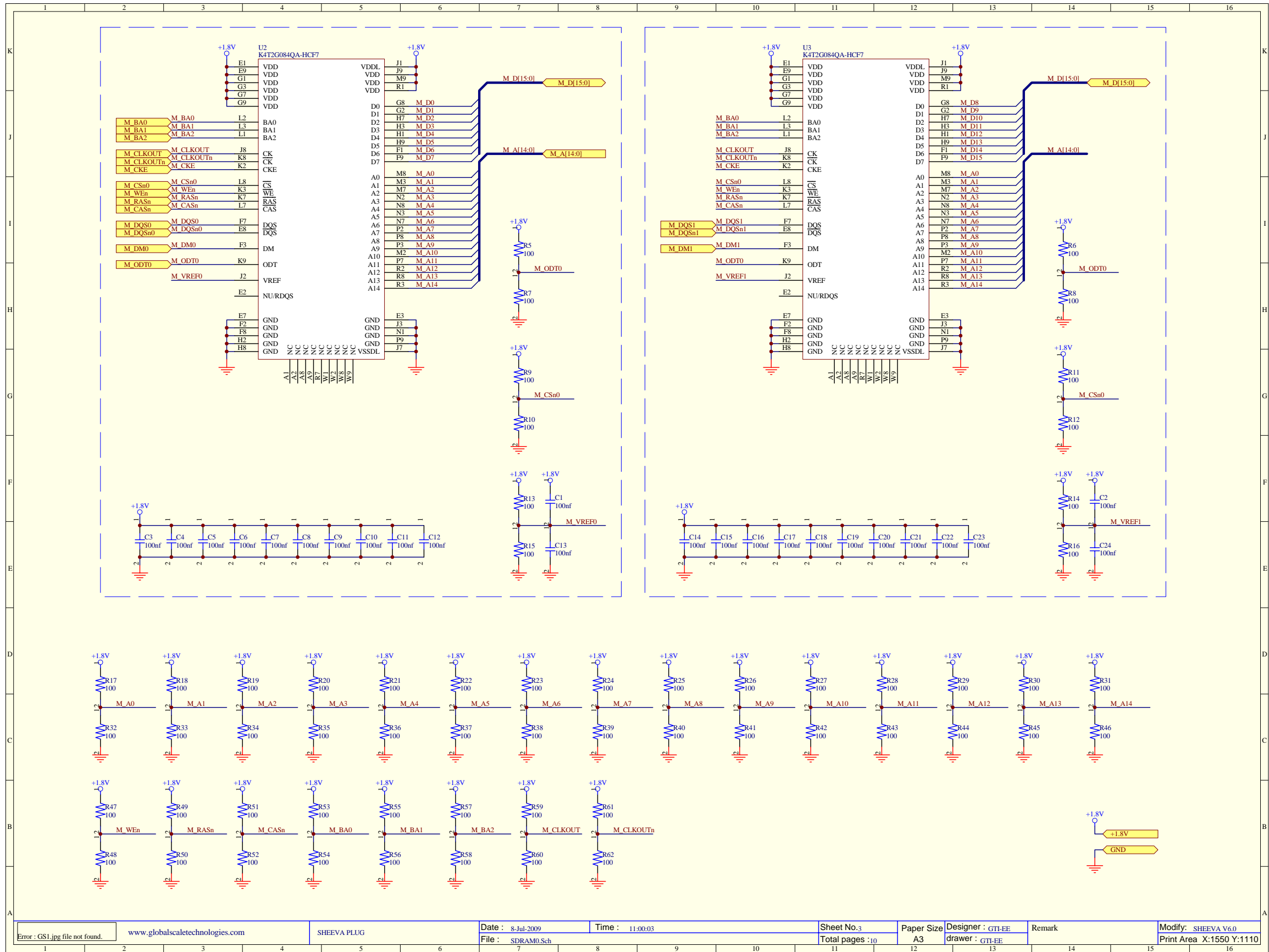


SHEEVA PLUG 6.0.1





Error : GS1.jpg file not found.

www.globalscaletechnologies.com

SHEEVA PLUG

Date : 8-Jul-2009

Time : 11:00:03

Sheet No.3

Paper Size

A3

Total pages : 10

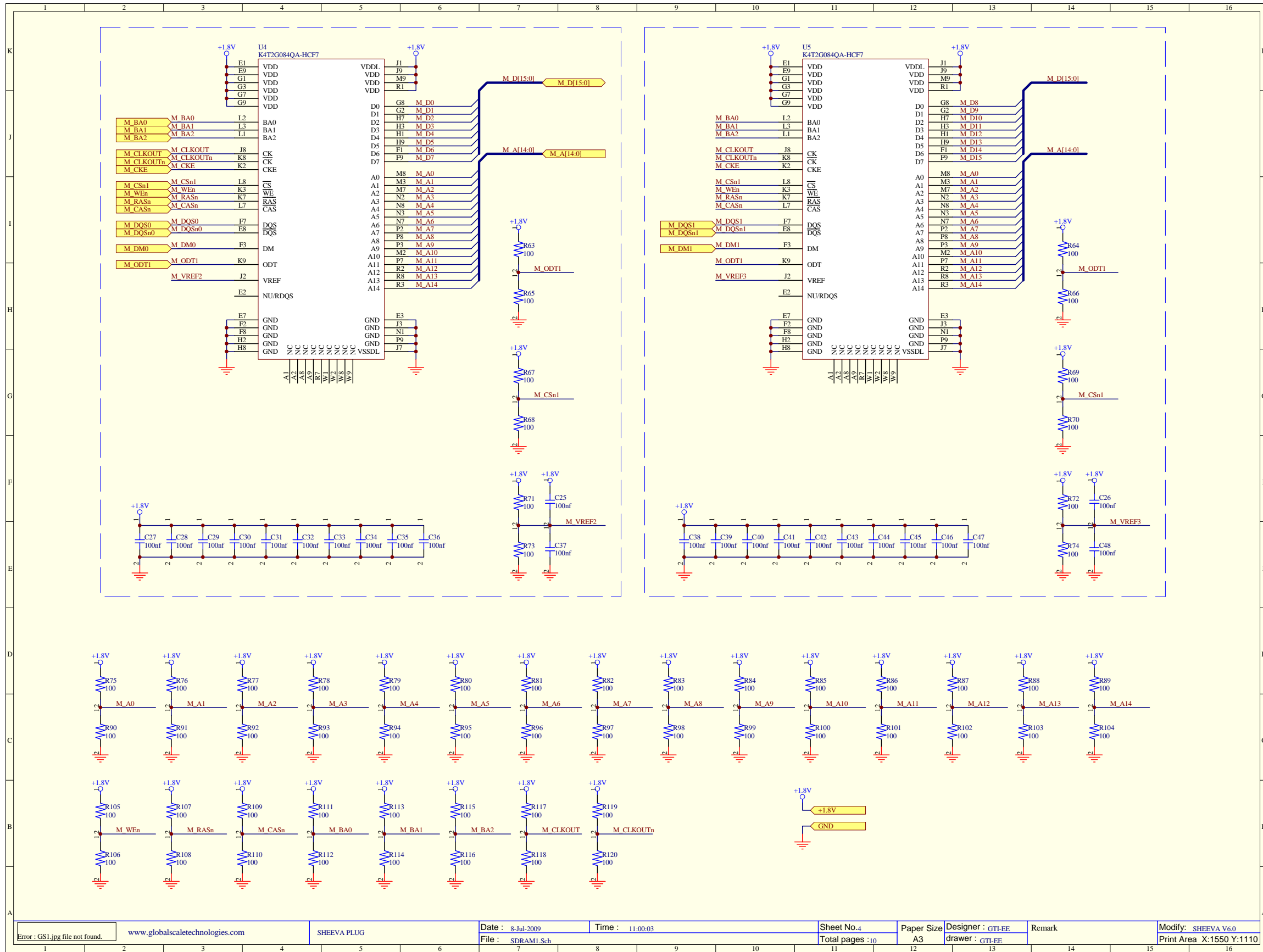
Designer : GTI-EE

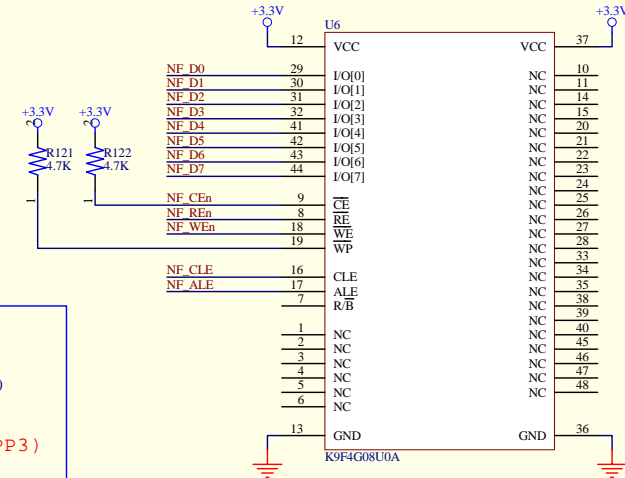
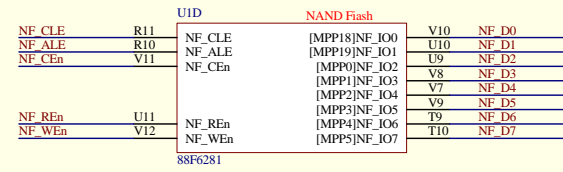
drawer : GTI-EE

Remark

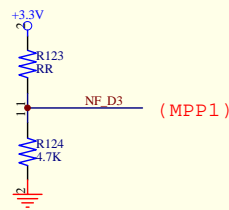
Modify: SHEEVA V6.0

Print Area X:1550 Y:1110

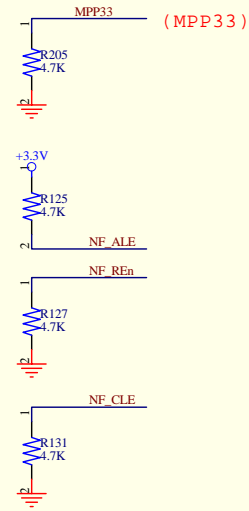




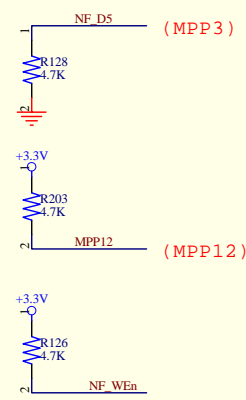
TWSI Serial ROM Initialization Disble



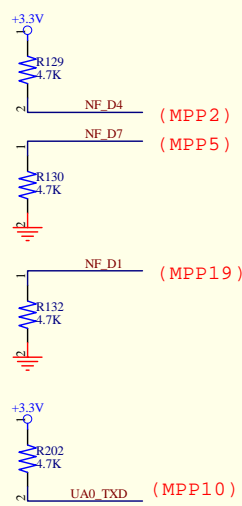
MPP33, NF_ALE, NF_REn, NF_CLE,
set CPU_CLK to DDR CLK ratio (3:1)



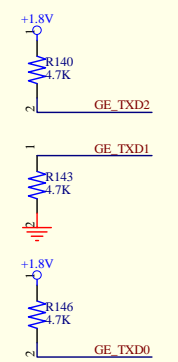
MPP3, MPP12, NF_WE#
set CPU_CLK to L2 CLK ratio (3:1)



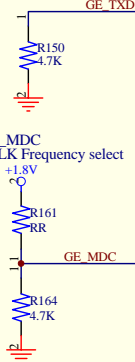
MPP2, MPP5, MPP19, MPP10
set the CPU_CLK Frequency



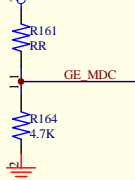
GE_TXD2, GE_TXD1, GE_TXD0
set Boot From NAND



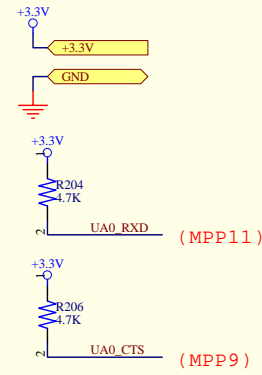
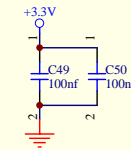
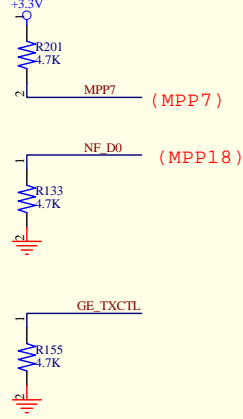
GE_TXD3
SSCG Enable



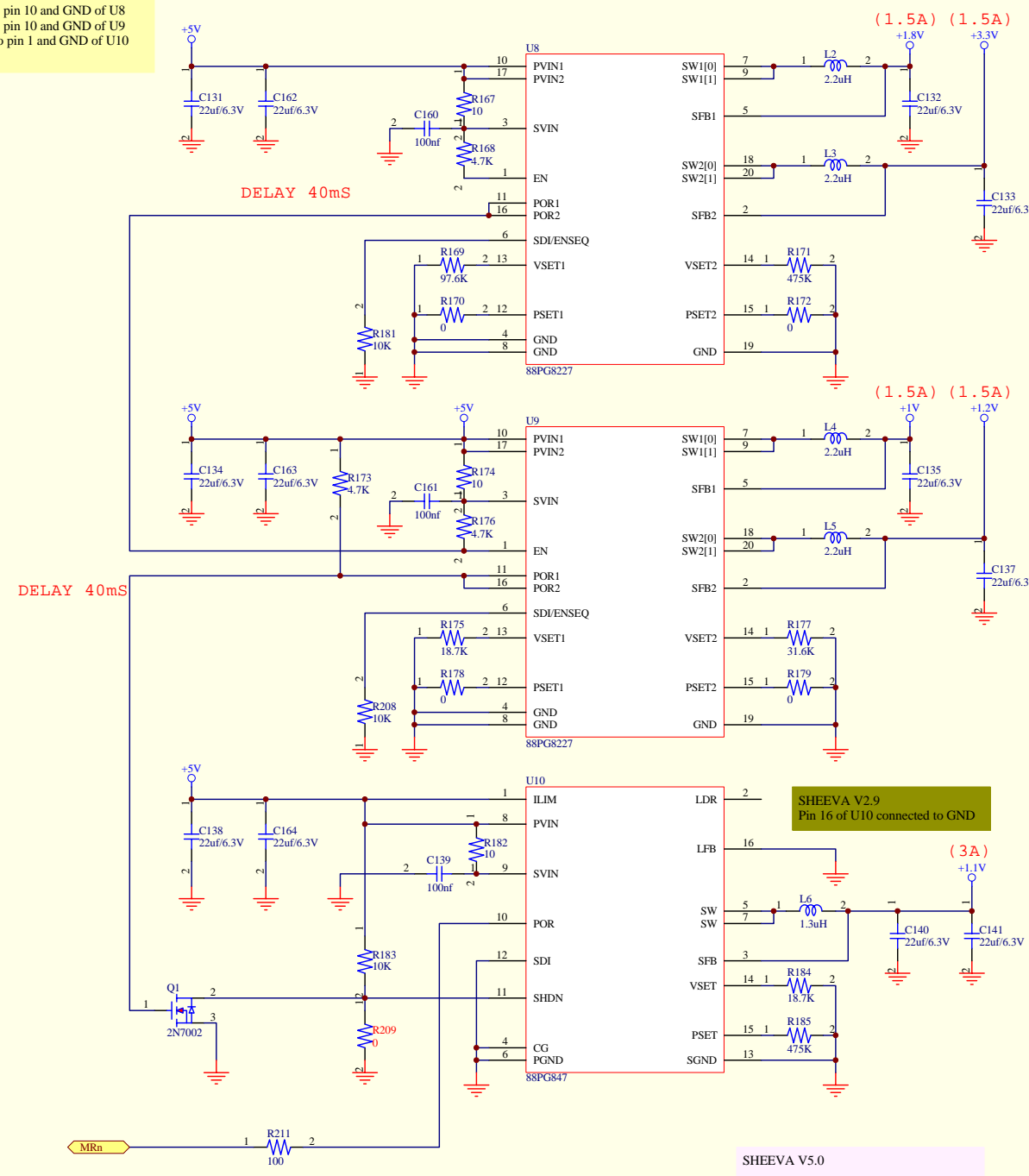
GE_MDC
TCLK Frequency select



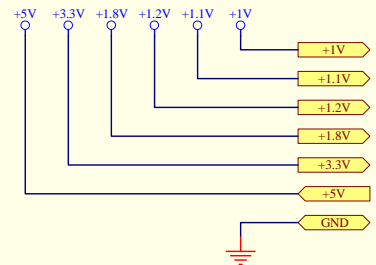
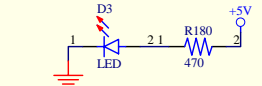
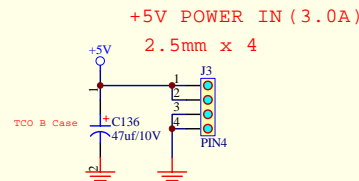
Reserved



V3.2
 1. Add C162 to pin 10 and GND of U8
 2. Add C163 to pin 10 and GND of U9
 3. Add C164 to pin 1 and GND of U10



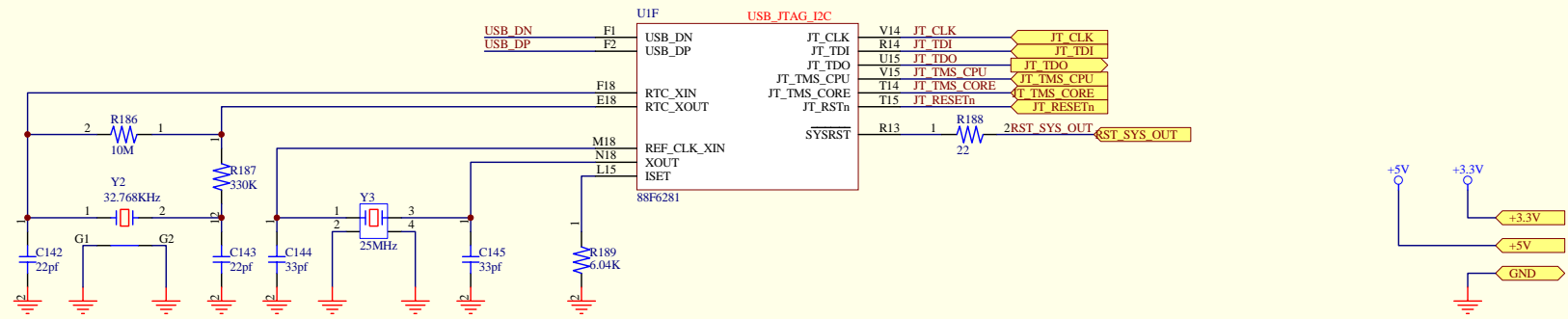
SHEEVA V3.0
 1. Take off R181 from U10
 2. ADD C160, C161 -- 100nf/ 0402 to U8 and U9
 3. ADD R181, R208 - 10K / 0402 to U8 and U9



SHEEVA V2.9
 Pin 16 of U10 connected to GND

SHEEVA V5.0
 1. Take off Q1
 2. Take off R183
 3. Short circuit pin2 and pin3 of Q1 with R209

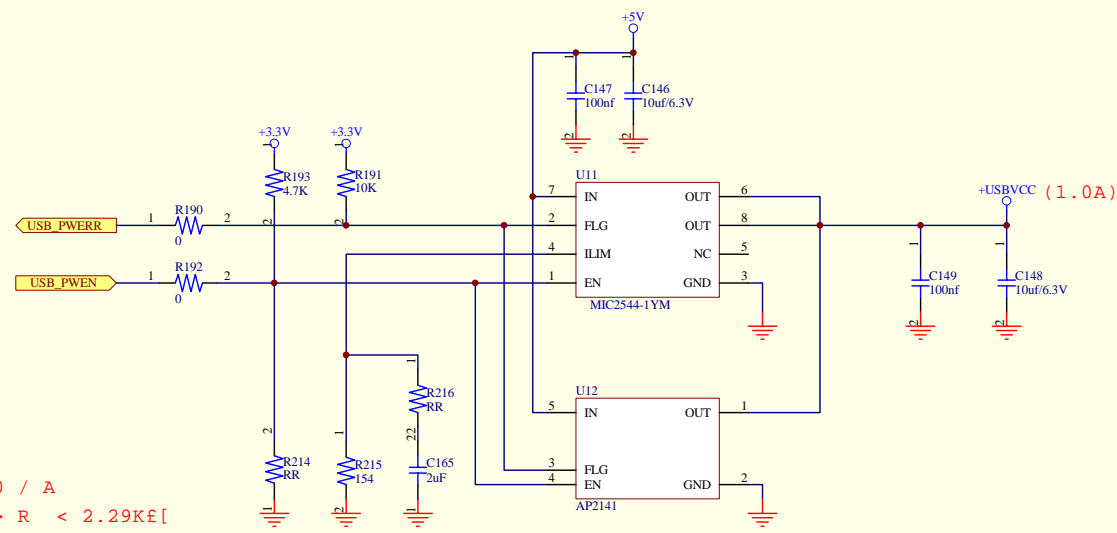
V3.2
Change Y3 to SMD 5x3.2mm



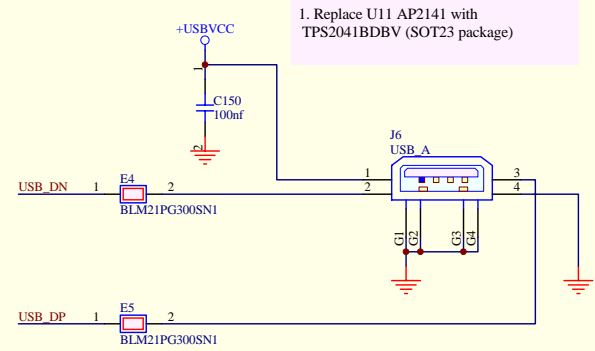
V3.2
Change Y3 to SMD 5x3.2mm

USB

$R = 230 / A$
 $154\Omega [> R < 2.29K\Omega]$
 R125 : 154 [1500mA]
 R125 : 460 [500mA]



SHEEVA V5.0
1. Replace U11 AP2141 with TPS2041BDBV (SOT23 package)



SHEEVA V5.3
1. Change U11 to AP2141 with SOT-23 package

SHEEVA V5.4
1. Change U11 to MIC2025-1YM with SIOC-8 package

SHEEVA V5.6
1. Change U11 to MIC2544-1YM with Sop-8 package
 R125=460 : 500mA current limit
 R125=154 : 1500mA current limit

2. Add U12- AP2141 with SOT-23/5pin package as cross option

