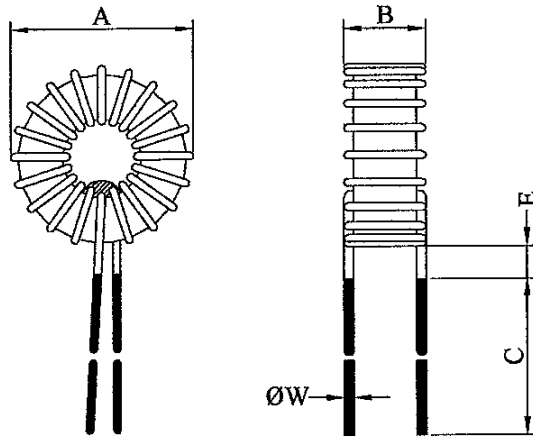


# SPECIFICATION FOR APPROVAL

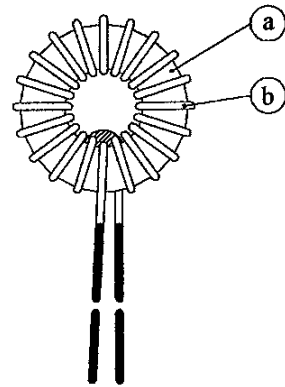
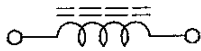
Product Name	TOROIDAL INDUCTOR	Page	1
Tai-tech Part No.	TC3217 Series	Rev. No.	0

## 1. CONFIGURATION & DIMENSIONS :



A	: 32.00 MAX	m/m
B	: 17.00 MAX	m/m
C	: 15.00±3.0	m/m
E	: 1.00 MAX	m/m
ØW	: 1.00 REF	m/m

## 2. SCHEMATIC DIAGRAM :



## 3. MATERIALS :

NO.	DESCRIPTION	SPECIFICATION	REMARK
a.	CORE	IRON POWDER CORE	
b.	WIRE	ENAMELLED COPPER WIRE	

## 4. GENERAL SPECIFICATION :

- a. TEMP. RISE : 40°C MAX AT I<sub>rms</sub>.
- b. STORAGE TEMP. : -40°C ---- +125°C
- c. OPERATING TEMP. : -25°C---- +105°C



# SPECIFICATION FOR APPROVAL

Product Name	TOROIDAL INDUCTOR	Page	2
Tai-tech Part No.	TC3217 Series	Rev. No.	0

## 5. ELECTRICAL CHARACTERISTICS & MECHANICAL DIMENSIONS :

PART No.	L ( $\mu$ H) $\pm 20\%$	RDC (m $\Omega$ ) MAX.	I <sub>rms</sub> (A)	I <sub>sat</sub> (A)
TC3217-850M-26	85.0	30	3.60	5.00
TC3217-850M-52	85.0	30	3.60	6.00
TC3217-151M-26	150.0	45	3.00	3.70
TC3217-151M-52	150.0	45	3.00	4.50
TC3217-231M-26	235.0	57	2.60	3.00
TC3217-231M-52	235.0	57	2.60	3.60

