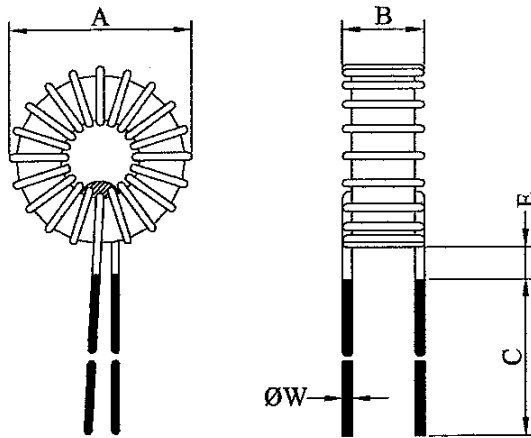


SPECIFICATION FOR APPROVAL

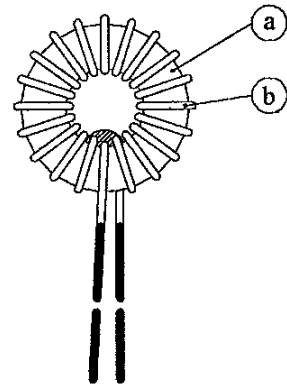
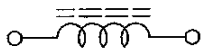
Product Name	TOROIDAL INDUCTOR	Page	1
Tai-tech Part No.	TC2616 Series	Rev. No.	0

1. CONFIGURATION & DIMENSIONS :



A	: 26.00 MAX	m/m
B	: 16.00 MAX	m/m
C	: 15.00±3.0	m/m
E	: 1.00 MAX	m/m
ØW	: 1.00 REF	m/m

2. SCHEMATIC DIAGRAM :



3. MATERIALS :

NO.	DESCRIPTION	SPECIFICATION	REMARK
a.	CORE	IRON POWDER CORE	
b.	WIRE	ENAMELLED COPPER WIRE	

4. GENERAL SPECIFICATION :

- a. TEMP. RISE : 40°C MAX AT I_{rms}.
- b. STORAGE TEMP. : -40°C ---- +125°C
- c. OPERATING TEMP. : -25°C---- +105°C



TAI-TECH ADVANCED ELECTRONICS (S) PTE LTD

SPECIFICATION FOR APPROVAL

Product Name	TOROIDAL INDUCTOR	Page	2
Tai-tech Part No.	TC2616 Series	Rev. No.	0

5. ELECTRICAL CHARACTERISTICS & MECHANICAL DIMENSIONS :

PART No.	L (μ H) $\pm 20\%$	RDC ($m\Omega$) MAX.	I _{rms} (A)	I _{sat} (A)
TC2616-600M-26	60.0	24	4.00	3.95
TC2616-600M-52	60.0	24	4.00	4.75
TC2616-101M-26	105.0	38	3.20	2.95
TC2616-101M-52	105.0	38	3.20	3.55
TC2616-161M-26	165.0	46	3.00	2.35
TC2616-161M-52	165.0	46	3.00	2.85



TAI-TECH ADVANCED ELECTRONICS (S) PTE LTD