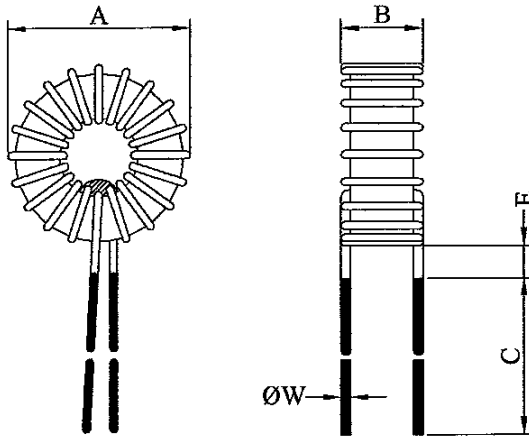


# SPECIFICATION FOR APPROVAL

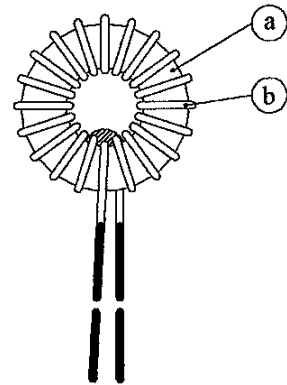
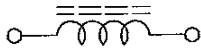
Product Name	TOROIDAL INDUCTOR	Page	1
Tai-tech Part No.	TC2313 Series	Rev. No.	0

## 1. CONFIGURATION & DIMENSIONS :



A	: 23.00 MAX	m/m
B	: 13.00 MAX	m/m
C	: 15.00±3.0	m/m
E	: 1.00 MAX	m/m
ØW	: 0.80 REF	m/m

## 2. SCHEMATIC DIAGRAM :



## 3. MATERIALS :

NO.	DESCRIPTION	SPECIFICATION	REMARK
a.	CORE	IRON POWDER CORE	
b.	WIRE	ENAMELLED COPPER WIRE	

## 4. GENERAL SPECIFICATION :

- a. TEMP. RISE : 40°C MAX AT I<sub>rms</sub>.
- b. STORAGE TEMP. : -40°C --- +125°C
- c. OPERATING TEMP. : -25°C---- +105°C



**TAI-TECH ADVANCED ELECTRONICS (S) PTE LTD**

# SPECIFICATION FOR APPROVAL

Product Name	TOROIDAL INDUCTOR	Page	2
Tai-tech Part No.	TC2313 Series	Rev. No.	0

## 5. ELECTRICAL CHARACTERISTICS & MECHANICAL DIMENSIONS :

PART No.	L ( $\mu$ H) $\pm 20\%$	RDC ( $m\Omega$ ) MAX.	I <sub>rms</sub> (A)	I <sub>sat</sub> (A)
TC2313-500M-26	50.0	30	3.60	3.25
TC2313-500M-52	50.0	30	3.60	3.90
TC2313-900M-26	90.0	42	3.00	2.40
TC2313-900M-52	90.0	42	3.00	2.95
TC2313-141M-26	140.0	57	2.60	1.95
TC2313-141M-52	140.0	57	2.60	2.35

