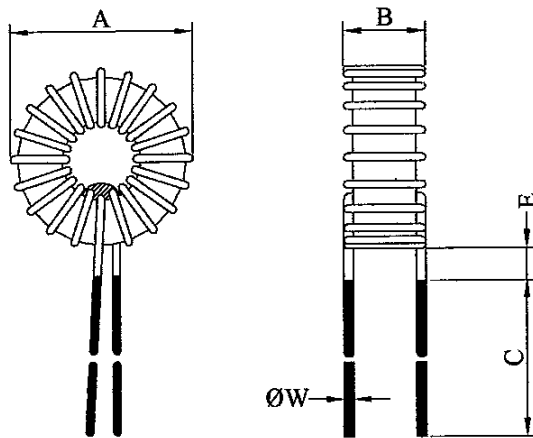


SPECIFICATION FOR APPROVAL

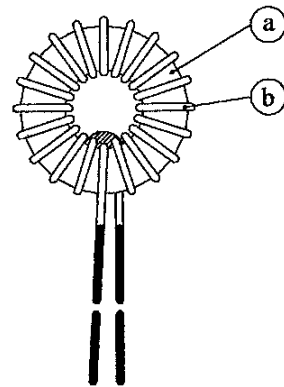
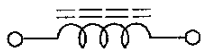
Product Name	TOROIDAL INDUCTOR	Page	1
Tai-tech Part No.	TC1711 Series	Rev. No.	0

1. CONFIGURATION & DIMENSIONS :



A	: 17.00 MAX	m/m
B	: (Refer to Next Page)	m/m
C	: 10.00±3.0	m/m
E	: 1.00 MAX	m/m
ØW	: (Refer to Next Page)	m/m

2. SCHEMATIC DIAGRAM :



3. MATERIALS :

NO.	DESCRIPTION	SPECIFICATION	REMARK
a.	CORE	IRON POWDER CORE	
b.	WIRE	ENAMELLED COPPER WIRE	

4. GENERAL SPECIFICATION :

- a. TEMP. RISE : 40°C MAX AT I_{rms}.
- b. STORAGE TEMP. : -40°C ---- +125°C
- c. OPERATING TEMP. : -25°C---- +105°C



TAI-TECH ADVANCED ELECTRONICS (S) PTE LTD

SPECIFICATION FOR APPROVAL

Product Name	TOROIDAL INDUCTOR	Page	2
Tai-tech Part No.	TC1711 Series	Rev. No.	0

5. ELECTRICAL CHARACTERISTICS & MECHANICAL DIMENSIONS :

PART No.	L (μ H) $\pm 20\%$	RDC (m Ω) MAX.	I _{rms} (A)	I _{sat} (A)	DIMENSIONS (mm)				
					A MAX.	B MAX.	C	E MAX.	\varnothing W
TC1711-4R7M-26	4.7	3	10.0	7.35	17.0	11.0	10.0 \pm 3	1.0	\varnothing 1.3
TC1711-6R8M-26	6.8	6	8.0	6.10	17.0	11.0	10.0 \pm 3	1.0	\varnothing 1.1
TC1711-100M-26	10.0	10	6.0	4.90	17.0	11.0	10.0 \pm 3	1.0	\varnothing 0.9
TC1711-390M-26	39.0	45	3.0	2.45	17.0	14.0	10.0 \pm 3	1.0	\varnothing 0.6
TC1711-390M-52	39.0	45	3.0	2.95	17.0	14.0	10.0 \pm 3	1.0	\varnothing 0.6
TC1711-700M-26	70.0	65	2.5	1.80	17.0	14.0	10.0 \pm 3	1.0	\varnothing 0.6
TC1711-700M-52	70.0	65	2.5	2.20	17.0	14.0	10.0 \pm 3	1.0	\varnothing 0.6
TC1711-111M-26	108.0	84	2.2	1.45	17.0	14.0	10.0 \pm 3	1.0	\varnothing 0.6
TC1711-111M-52	108.0	84	2.2	1.75	17.0	14.0	10.0 \pm 3	1.0	\varnothing 0.6

