

SERIES RIM 6200

NorthStar™ brand

Severe Duty Encoder

Key Features

- **Foot-Mount or 56-C Face Mount Ideal for “Flower Pot” or Belt Drive Applications**
- **Extra Heavy Duty Bearings for Long Life**
- **Stainless Steel and Ductile Cast Iron Construction**
- **Sensor Modules are Removable On-The-Fly and Provide up to 1200 PPR**



SPECIFICATIONS

STANDARD OPERATING CHARACTERISTICS

Code: Incremental
Pulses per Revolution: 60-1200
Phasing Sense: A leads B for Counter-Clockwise rotation (CCW) viewing encoder-mounted end
Quadrature Phasing: 90° ± 22°
Symmetry: 180° ± 54°
Index: 270°, ungated (optional gated to falling B edge)

ELECTRICAL

Input Voltage Requirement: 5-15 or 15-26 Volts DC
Current Requirement:
 With Electrical Option L: 45 mA typical per sensor module plus line driver load
 With Electrical Option R: 65 mA typical per sensor module plus line driver load
 With Electrical Option 5: 65 mA typical per sensor module plus line driver load

ELECTRICAL CONNECTIONS

Signal	Connector Pin	Pigtail Cable	MS 3102E18-IT#
Common	1	Black	A
B	2	Green	E
A	3	Blue	D
Z *	4	Violet	C
No Connection	5	—	—
Vcc	6	Red	B
B	7	Yellow	H
A	8	Gray	G
Z *	9	Orange	I
Shield	10	Braid	J

* Index (Z) optional. See Ordering Information

Output Signals:

With Elec Option L: 5-15 V Line Driver, 150mA
 With Elec Option R: 15 V Line Driver, 150mA
 With Elec Option 5: 5V Line Driver, 150mA
Frequency Response: 0 - 120kHz Data & Index
Electrical Immunity: 2kV ESD, Reverse Polarity, Short Circuit
Connector: 10 pin industrial duty latching, sealed NEMA 4 & 12, IP65

MECHANICAL

Shaft Speed: 7,000 RPM
Mounting Configuration: 4.5" [115mm] diameter, 56 C motor face or accessory flange to meet NEMA MG1-4 standards; foot mount with 4 slotted bolt holes
Housing Material: Cast Iron/Stainless Steel
Acceleration Rate: 3600 rpm/sec max

Shaft : 0.625" (16mm) diameter with standard key, single or double ended

Shaft Material Options: Hot Rolled Carbon Steel or Stainless steel

Shaft Axial/Radial Loading:

Hot Rolled Steel: 50 lbf axial, 50 lbf radial
Stainless Steel: 35 lbf axial, 35 lbf radial

ENVIRONMENTAL

Operating Temperature Range: -40°C to +70°C
Storage Temperature Range: -40°C to +120°C
Humidity: to 98% RH (non-condensing)
Shock (Sensor Module): 1 meter drop test, 30 G's Min
Vibration: 18 G's @ 5-2000 Hz spectrum

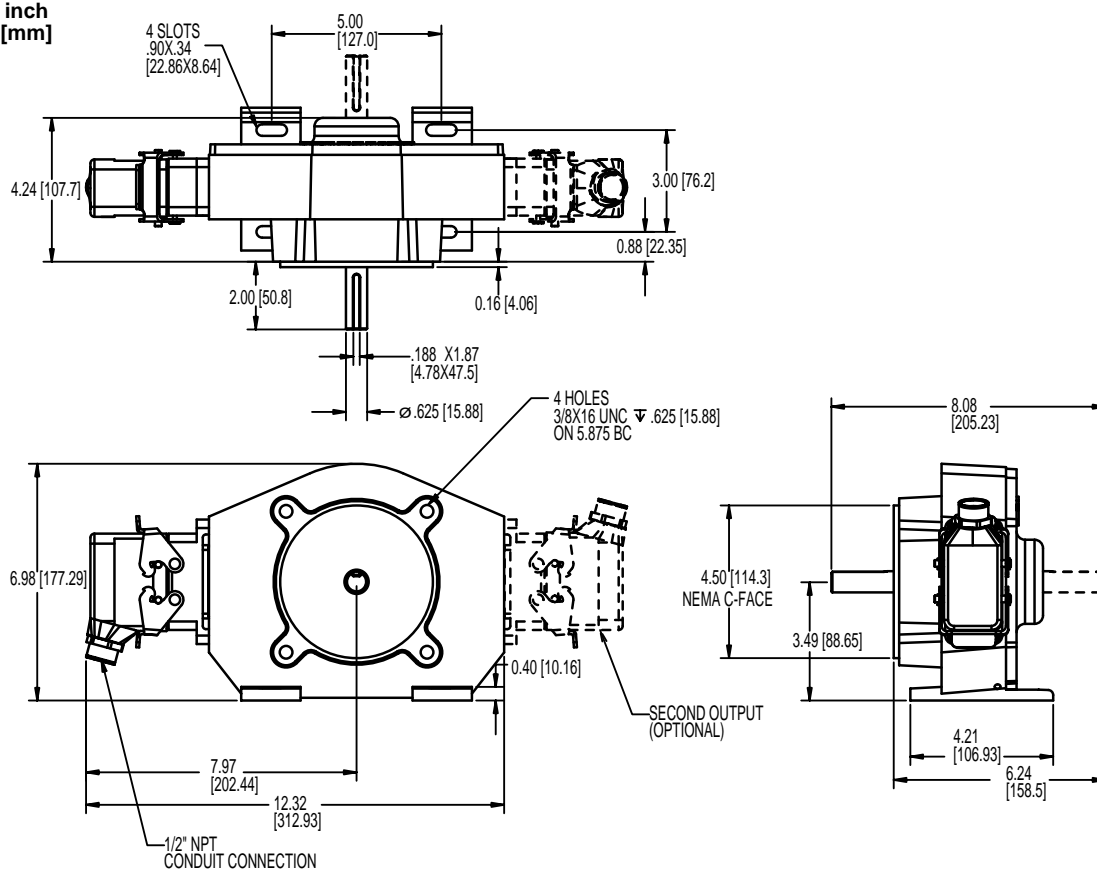
Ordering Information

To order, complete the model number with code numbers from the table below:

Code 1: Model	Code 2: PPR	Code 3: Index	Code 4: Shaft	Code 5: Output	Code 6: Electrical	Code 7: Termination	
R6	□□□□	□	□□□	□	□	□	
Ordering Information							
R6 Foot Mount or Close Coupled	0060 0064 0075 0120 0128 0150 0240 0256	0300 0480 0512 0600 0960 1024 1200	L No Index Available when Code 2 is 0480, 0512, 0600, 0960 1024 or 1200 G Gated Index (Z, Z̄) Z Differential Index (Z, Z̄)	A Single Shaft, Stainless Steel B Dual Shaft, Stainless Steel S Single Shaft, Steel D Dual Shaft, Steel	1 Single Output 2 Dual Output, Isolated Differential, bidirectional signals (A, Ā, B, B̄)	L 5-15V in, 5-15V Line Driver (4428) out R 15-26V in, 15V Line Driver (4428) out 5 5-15V in, 5V Line Driver (4428) out	C Latching Industrial Connector with 1/2" NPT M 10 pin MS Connector P 18" Pigtail

Note: See ACCESSORIES Section For Connectors, Spare Parts and Pulse Wheels

DIMENSIONS inch [mm]



Headquarters: 1675 Delany Road • Gurnee, IL 60031-1282 • USA

Customer Service:
 Tel.: +1.800.873.8731
 Fax: +1.847.662.4150
custserv@dynapar.com

Technical Support
 Tel.: +1.800.234.8731
 Fax: +1.847.662.4150
dynapar.techsupport@dynapar.com