

# SERIES RL67

NorthStar™ brand

## Bearingless Encoder

### Key Features

- Designed for Reliance Motors (6.75" fit and 56 and 140 C-Face)
- Magneto-Resistive Technology Resists Dust, Dirt, Oil, Water and Other Contaminants
- Anodized Aluminum Housing With Field-Serviceable Connector



## SPECIFICATIONS

### STANDARD OPERATING CHARACTERISTICS

**Code:** Incremental  
**Pulses per Revolution:** 64-1024  
**Phasing Sense:** A leads B for Counter-Clockwise rotation (CCW) viewing encoder-mounted end  
**Quadrature Phasing:** 90° ± 22°  
**Symmetry:** 180° ± 54°  
**Index:** 270°, ungated (optional gated to falling B edge)

### ELECTRICAL

**Input Voltage Requirement:** 5-15 or 5-26 Volts DC  
**Current Requirement:**  
 With Electrical Option L or H: 45 mA typical per sensor module plus line driver load  
 With Electrical Option V or 5: 65 mA typical per sensor module plus line driver load  
**Output Signals:**  
 With Elec Option L or H: 5-15 V Line Driver, 150mA  
 With Elec Option V: 5-26 V Line Driver, 100mA  
 With Elec Option 5: 5V Line Driver, 150mA  
**Frequency Response:** 0 - 120kHz Data & Index  
**Electrical Immunity:** 2kV ESD, Reverse Polarity, Short Circuit  
**Connector:** 10 pin industrial duty latching, sealed NEMA 4 & 12, IP65

### MECHANICAL

**Shaft Speed:** 7,000 RPM  
**Mounting Configuration:** 4.5" diameter, 56 C motor face or accessory flange to meet NEMA MG1-4 standards or mounts directly in the 6.75" machined accessory recess of the 4.5" accessory flange found on Reliance RPM™ motors  
**Housing Material:** Cast Aluminum  
**Acceleration Rate:** 12,000 rpm/sec max  
**Shaft Length Required:** 2.5" min  
**Allowable Shaft End-Play:** ± 0.045"  
**Allowable Shaft Runout:** 0.003" TIR

### ELECTRICAL CONNECTIONS

Signal	Connector Pin	Pigtail Cable	MS 3102E18-IT#
Common	1	Black	F
B	2	Green	B
A	3	Blue	A
Z *	4	Violet	C
No Connection	5	—	E
Vcc (+ VDC)	6	Red	D
B	7	Yellow	I
A	8	Gray	H
Z *	9	Orange	J
Shield	10	Braid	G

\* Index (Z) optional. See Ordering Information

### ENVIRONMENTAL

**Operating Temperature Range:**  
 Standard: -40°C to +90°C  
 Extended: -40°C to +100°C  
**Storage Temperature Range:** -40°C to +120°C  
**Humidity:** to 98% RH (non-condensing)  
**Shock (Sensor Module):** 1 meter drop test, 30 G's Min  
**Vibration:** 18 G's @ 5-2000 Hz spectrum

**Ordering Information**

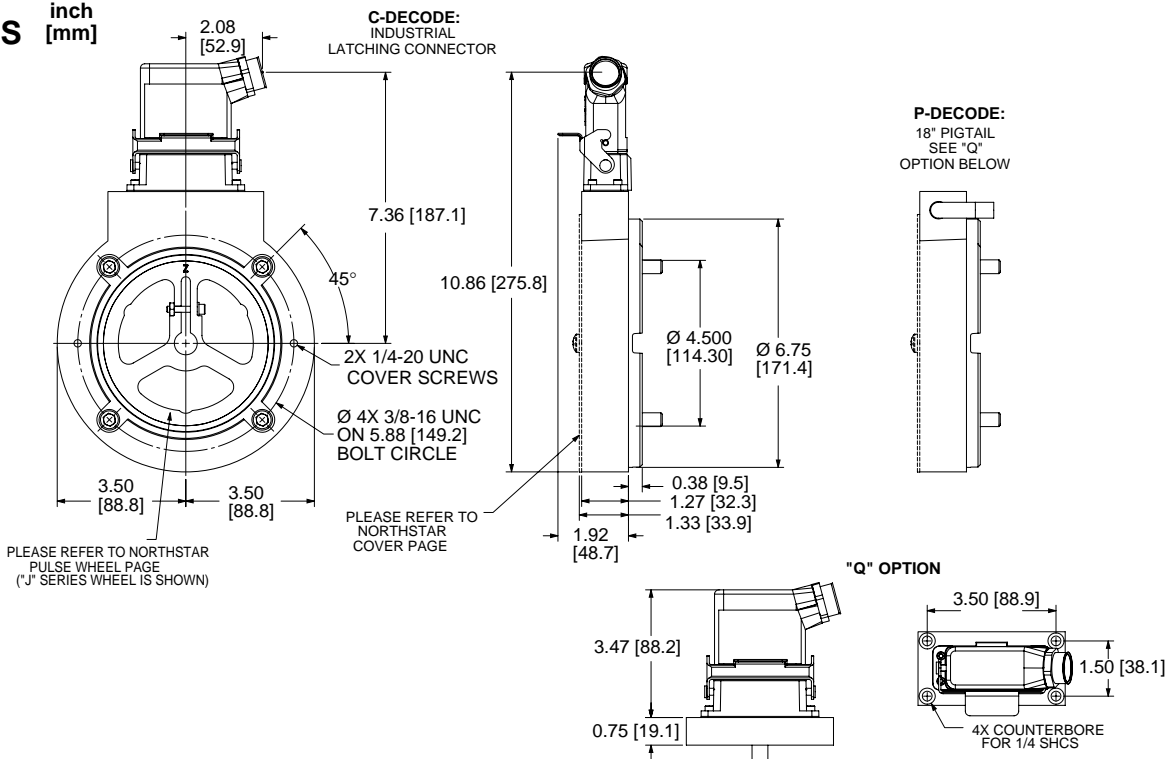
To order, complete the model number with code numbers from the table below:

Code 1: Model	Code 2: PPR	Code 3: Index	Code 4: Wheel Bore	Code 5: Termination	Code 6: Electrical	Code 7: Cover
<b>S6</b>	□□□□	□	□□□	□	□	□

Ordering Information						
<b>S6</b> Motor Mount Ring, for 4 1/2" NEMA 56-C C-Face Motors or Reliance Electric Style 6.75" Recess	<b>0064</b>	<b>L</b> No Index	<b>J04</b> 5/8" bore	<b>C</b> Latching Industrial Connector with 1/2" NPT	<b>L</b> 5-15V in, 5-15V Line Driver (4428) out	<b>C</b> Standard cover
	<b>0128</b>	Available when Code 2 is 0512 or 1024	<b>J05</b> 7/8" bore	<b>M</b> 10 pin MS Connector	<b>H</b> Same as L with extended temp. to 100°C	<b>F</b> Flat Thru-hole cover
	<b>0256</b>		<b>J06</b> 1.00" bore			
	<b>0512</b>	<b>G</b> Gated Index (Z, Z̄)	<b>J07</b> 1-1/8" bore	<b>P</b> 18" pigtail cable <b>Q</b> Latching Industrial Connector on 18" pigtail cable	<b>V</b> 5-26V in, 5-26V Line Driver (IC-WE) out <b>5</b> 5-15V in, 5V Line Driver (4428) out  Differential, bidirectional signals (A, Ā, B, B̄)	
	<b>1024</b>	<b>Z</b> Differential Index (Z, Z̄)	<b>K09</b> 1-3/8" bore			
		<b>K10</b> 1-1/2" bore				
		<b>K11</b> 1-5/8" bore				
		<b>K12</b> 1-3/4" bore				
		<b>K13</b> 1-7/8" bore				
		<b>K14</b> 2.00" bore				
<b>K15</b> 2-1/8" bore						
<b>K16</b> 2-1/4" bore						
<b>K17</b> 2-3/8" bore						
<b>K18</b> 2-1/2" bore						
<b>K19</b> 2-7/8" bore						
Additional Shaft Sizes Available Up to 3.75" Maximum						

**Note:** See ACCESSORIES Section For Connectors, Spare Parts and Pulse Wheels

**DIMENSIONS** inch [mm]



Worldwide Brands: NorthStar™ • Acuro™ • Dynapar™ • Hengstler™ • Harowe™

**DYNAPAR**  
 INNOVATION - CUSTOMIZATION - DELIVERY  
[WWW.DYNAPAR.COM](http://WWW.DYNAPAR.COM)

Headquarters: 1675 Delany Road • Gurnee, IL 60031-1282 • USA

**Customer Service:**  
 Tel.: +1.800.873.8731  
 Fax: +1.847.662.4150  
[custserv@dynapar.com](mailto:custserv@dynapar.com)

**Technical Support**  
 Tel.: +1.800.234.8731  
 Fax: +1.847.662.4150  
[northstar.techsupport@dynapar.com](mailto:northstar.techsupport@dynapar.com)

**European Sales Representative**  
 Hengstler GmbH  
 Uhlandstrasse 49, 78554 Aldingen  
 Germany  
[www.hengstler.com](http://www.hengstler.com)