

SERIES H20

Dynapar™ brand

Shafted Encoder

Key Features

- Reliable Dual-Row Bearing Design
- IP66 Sealing Option
- Optional Unbreakable Code Disc



SPECIFICATIONS

STANDARD OPERATING CHARACTERISTICS

Code: Incremental

Resolution: 1 to 2540 PPR (pulses/revolution)

Accuracy: (worst case any edge to any other edge) <1024 PPR (metal disk): ± 7.5 arc-min.
 ≥ 1024 PPR (glass disk): ± 2.5 arc-min.

Format: Two channel quadrature (AB) with optional Index (Z) and complementary outputs

Phase Sense: A leads B for CCW shaft rotation as viewed from the shaft end of the encoder

Quadrature Phasing: $90^\circ \pm 22.5^\circ$ electrical

Symmetry: $180^\circ \pm 18^\circ$ electrical

Index: $180^\circ \pm 18^\circ$ electrical (gated with B low)

Waveforms: Squarewave with rise and fall times less than 1 microsecond into a load capacitance of 1000 pf

ELECTRICAL

Input Power:

5 to 26 VDC at 80 mA max., not including output loads

Outputs:

7273 Open Collector: 30 VDC max., 40 mA sink

7272 Push-Pull and Differential Line Driver: 40 mA sink or source

4469 Differential Line Driver: 100 mA, sink or source

Frequency Response: 100 kHz min. (index 75 kHz min. for extended temperature range)

Electrical Protection: Overvoltage, reverse voltage and output short circuit protected

Noise Immunity: Tested to EN61326 (Industrial) for Electro Static Discharge, Radio Frequency Interference, Electrical Fast Transients.

CONNECTIONS

Mating Connector:

6 pin, style MS3106A-14S-6S (MCN-N4);

7 pin, style MS3106A-16S-1S (MCN-N5);

10 pin, style MS3106A-18-1S (MCN-N6)

5 pin, style M12: Cable with connector available

8 pin, style M12: Cable with connector available

MECHANICAL

Shaft Loading: (at 0.25" from encoder face)

Resolutions ≤ 1024 PPR: 80 lbs. radial, axial

Resolutions > 1024 PPR: 40 lbs. radial, axial

Shaft Speed:

Resolutions ≤ 1024 PPR: 10,000 RPM max.

Resolutions > 1024 PPR: 5,000 RPM max.

Starting Torque: (max at 25 °C)

without shaft seal: 1.0 oz.-in;

with shaft seal: 2.0 oz.-in

Moment of Inertia: 3.0×10^{-4} oz.-in-sec²

Disk Material: Glass or plastic based on PPR

Weight: 10 oz. max.

ENVIRONMENTAL

Operating Temperature:

Standard: 0 to +70 °C;

Extended: 0 to +85 °C (consult factory for low temperature operation to -40 °C)

Storage Temperature: -40 to +90 °C

Shock: 50 G's for 11 milliseconds duration

Vibration: 5 to 2000 Hz at 20 G's

Humidity: to 98% without condensation

Enclosure Rating: NEMA12/IP54 (dirt tight, splashproof); NEMA4/IP66 (dust proof, washdown) when ordered with shaft seal and either MS connector or watertight cable exit

Ordering Information

To order, complete the model number with code numbers from the table below:

Code 1: Model	Code 2: PPR	Code 3: Housing	Code 4: Shaft	Code 5: Face Mount	Code 6: Pilot, Seal	Code 7: Electrical	Code 8: Termination	Code 9: Options
H2								

Ordering Information								
1 Unidirectional	0001 0600 0005 0800	0 Servo Mount	0 3/8" Dia. Shaft with flat	0 no face mount	0 1.18" Dia. Female Pilot	0 5-26V in, 5-26V Open Collector out	0 6 Pin Conn, End Mount	available when Code 8 is 0 to 5: PS LED Output Indicator
2 Bidirectional	0010 0900 0012 1000	1 Flange Mount	1 1/4" Dia. Shaft, no flat	available when Code 3 is 0: 1 (4) #10-32 @ 1.63" BC	1 1.25" Dia. Male Pilot	1 5-26V in, 5-26V Open Collector out with 2.2 kΩ Pullups	1 6 Pin Conn, Side Mount	
3 Bidirectional with Index	0050 1024 0060 1200 0100 1250 0120 1270 0200 1500 0240 1600 0250 1800 0256 1968 0300 2000 0360 2048 0400 2400 0500 2500 0512 2540		4 10mm Dia. Shaft, no flat	2 (3) #4-40 @ 1.50" BC 3 (3) #6-32 @ 1.75" BC	2 1.25" Dia. Male Pilot with Shaft Seal 3 0.69" Dia. Male Pilot	2 5-26V in, 5-26V Push-Pull out A Same as "0" with extend. temp range B Same as "1" with extend. temp range C Same as "2" with extend. temp range	2 7 Pin Conn, End Mount 3 7 Pin Conn, Side Mount 4 10 Pin Conn, End Mount 5 10 Pin Conn, Side Mount 6 18" Cable, End Exit 7 18" Cable, Side Exit 8 36" Cable, End Exit 9 36" Cable, Side Exit	
				available when Code 3 is 1: 4 (4) #6-32 @ 2.00" BC	4 0.69" Dia. Male Pilot with Shaft Seal	available when: Code 1 is 1 or 2 and Code 8 is 2 through M, Q or R; or Code 1 is 3 and Code 8 is 4 thru M, Q or R: 3 5-26V in, 5-26V Differential Line Driver out (7272) 4 5-26V in, 5V Differential Line Driver out (7272) 5 5-26V in, 5V Differential Line Driver out (4469) 6 5-15V in, 5-15V Differential Line Driver out (4469) D Same as "3" with extend. temp range E Same as "4" with extend. temp range	A 10' Cable, End Exit B 10' Cable, Side Exit J 25' Cable, End Exit K 25' Cable, Side Exit N 5 Pin M12 Connector, End Mount P 5 Pin M12 Connector, Side Mount Q 8 Pin M12 Connector, End Mount R 8 Pin M12 Connector, Side Mount	
							available when Code 6 is 2 or 4: C 18" Sealed Cbl, End Exit D 18" Sealed Cbl, Side Exit E 36" Sealed Cbl, End Exit F 36" Sealed Cbl, Side Exit G 10' Sealed Cbl, End Exit H 10' Sealed Cbl, Side Exit L 25' Sealed Cbl, End Exit M 25' Sealed Cbl, Side Exit	

See "Accessories" Section for Connectors and Cable Assemblies Ordering Information

10 foot Cable Assemblies with MS Connector

- 108594-0010** 6 Pin MS, Cable Assy. For Use with Single Ended Outputs
- 108595-0010** 7 Pin MS, Cable Assy. For Use with Single Ended Outputs
- 108596-0010** 7 Pin MS, Cable Assy. For Use with Differential Line Driver w/o Index Outputs
- 1400635-0010** 10 Pin MS, Cable Assy. For Use with Differential Line Driver with Index Outputs

15 foot Cable Assemblies with M12 Connector

- 112859-0015** 5 Pin M12, Cable Assy. For Use with Single Ended Outputs
- 112860-0015** 8 Pin M12, Cable Assy. For Use with Single Ended Outputs
- 112860-0015** 8 Pin M12, Cable Assy. For Use with Differential Line Driver Outputs

Mating Connectors (no cable)

- 6 pin, style MS3106A-14S-6S (MCN-N4)
- 7 pin, style MS3106A-16S-1S (MCN-N5)
- 10 pin, style MS3106A-18-1S (MCN-N6)

SERIES H20



CONNECTIONS

6, 7 & 10 Pin MS Connectors and Cables - Code 8= 0 to 9, A to M

Connector & mate/accessory cable assembly pin numbers and wire color information is provided here for reference. H20 models with direct cable exit carry the same color coding as shown for each output configuration.

Encoder Function	Cable # 108594-6 Pin Single Ended		Cable # 108595-7 Pin Single Ended		Cable # 108596-7 Pin Dif Line Drv w/o ldx		Cable # 1400635-10 Pin Dif Line Drv w/ ldx	
	Pin	Wire Color	Pin	Wire Color	Pin	Wire Color	Pin	Wire Color
Sig. A	E	BRN	A	BRN	A	BRN	A	BRN
Sig. B	D	ORN	B	ORG	B	ORG	B	ORG
Sig. Z	C	YEL	C	YEL	—	—	C	YEL
Power +V	B	RED	D	RED	D	RED	D	RED
Com	A	BLK	F	BLK	F	BLK	F	BLK
Case	—	—	G	GRN	G	GRN	G	GRN
N/C	F	—	E	—	—	—	E	—
Sig. \bar{A}	—	—	—	—	C	BRN/WHT	H	BRN/WHT
Sig. \bar{B}	—	—	—	—	E	ORG/WHT	I	ORG/WHT
Sig. \bar{Z}	—	—	—	—	—	—	J	YEL/WHT

Cable Configuration: PVC jacket, 105 °C rated, overall foil shield; 3 twisted pairs 26 AWG (output signals), plus 2 twisted pairs 24 AWG (input power)

5 & 8 Pin M12 Accessory Cables when Code 8= N to R

Connector pin numbers and cable assembly wire color information is provided here for reference.

Encoder Function	Cable # 112859-5 Pin Single Ended		Cable # 112860-8 Pin Single Ended		Cable # 112860-8 Pin Differential	
	Pin	Wire Color	Pin	Wire Color	Pin	Wire Color
Sig. A	4	BLK	1	BRN	1	BRN
Sig. B	2	WHT	4	ORG	4	ORG
*Sig. Z	5	GRY	6	YEL	6	YEL
Power +V	1	BRN	2	RED	2	RED
Com	3	BLU	7	BLK	7	BLK
Sig. \bar{A}	—	—	—	—	3	BRN/WHT
Sig. \bar{B}	—	—	—	—	5	ORG/WHT
*Sig. \bar{Z}	—	—	—	—	8	YEL/WHT

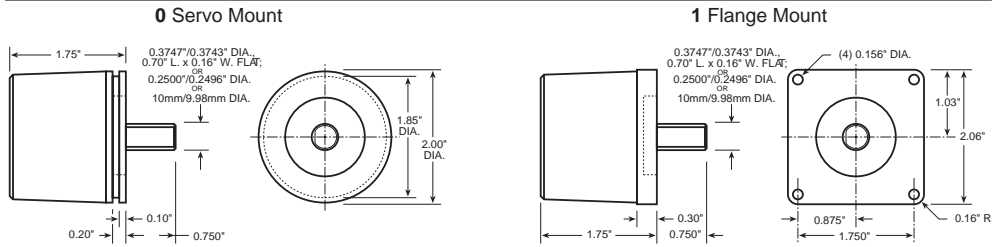
* Index not provided on all models. See ordering information

Cable Configuration: PVC jacket, 105 °C rated, overall foil shield; 24 AWG conductors, minimum

See "Accessories" Section for Connectors and Cable Assemblies Ordering Information

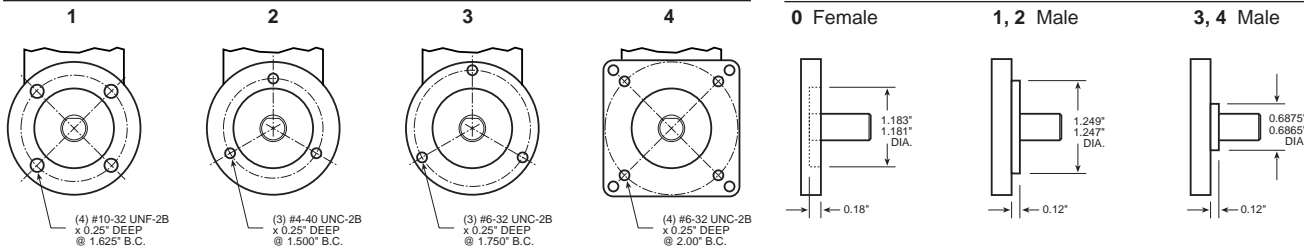
DIMENSIONS

Code 3: Housings

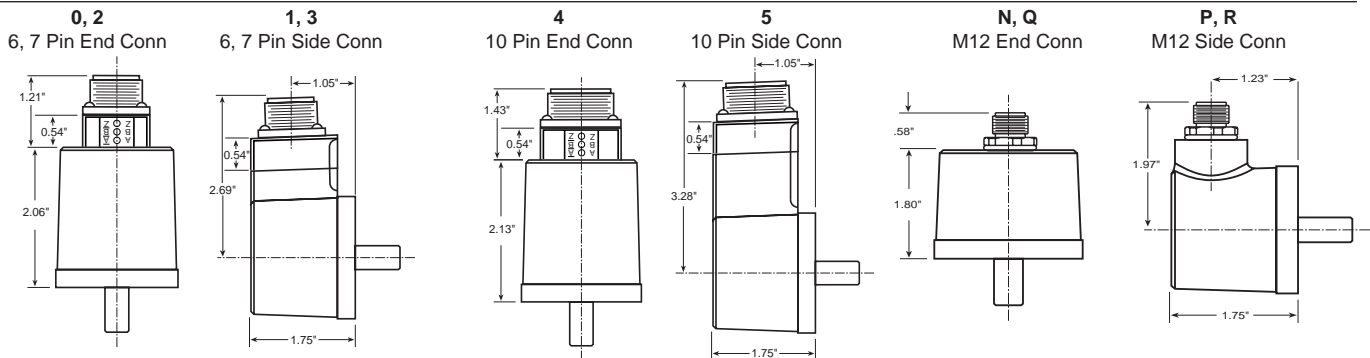


Code 5: Face Mounts

Code 6: Pilots



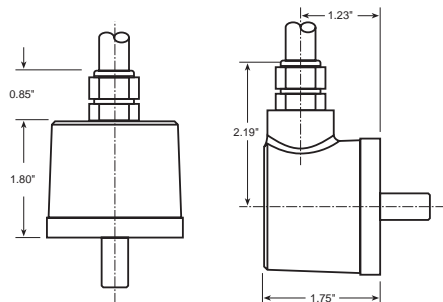
Code 8: Terminations



Code 8: 0-5 dimensions shown with LED Output Indicator Option (Code 9: PS)

6, 8, A, C, E, G
End Exit Cable

7, 9, B, D, F, H
Side Exit Cable



Worldwide Brands: NorthStar™ • Acuro™ • Dynapar™ • Hengstler™ • Harowe™

DYNAPAR
INNOVATION - CUSTOMIZATION - DELIVERY

WWW.DYNAPAR.COM

Headquarters: 1675 Delany Road • Gurnee, IL 60031-1282 • USA

Customer Service:
Tel.: +1.800.873.8731
Fax: +1.847.662.4150
custserv@dynapar.com

Technical Support
Tel.: +1.800.234.8731
Fax: +1.847.662.4150
northstar.techsupport@dynapar.com

European Sales Representative
Hengstler GmbH
Uhlandstrasse 49, 78554 Aldingen
Germany
www.hengstler.com