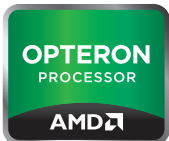


## DUAL-SOCKET SERVER PLATFORM



### S8236

S8236WGM3NR-HE (BTO) /  
S8236WGM3NR/ S8236GM3NR



■ AMD Opteron™ 6100/6200 series

1U/2U-optimized dual-socket server platform  
for enterprise & GPGPU applications

- Dual G34 sockets support AMD Opteron™ 6100/6200 series processors (Magny-Cours/Interlagos)
- Support (4) HyperTransport™ 3.0 link, max. bandwidth up to 25.6 GB/s @ 6.4GT/s per link
- AMD SR5690 + SR5650 + SP5100 (S8236WGM3NR-HE)
- AMD SR5690 + SP5100 (S8236WGM3NR/ S8236GM3NR)
- (16) 240-pin DDR3 DIMM slots support up to 256GB R-DDR3 1333/1066/800MHz w/ ECC memory
- (2) PCI-E Gen.2 x16 slots (S8236GM3NR/ S8236WGM3NR)
- (3) PCI-E Gen.2 x16 slots (S8236WGM3NR-HE)
- (6) SATA-II ports via (1) Mini-SAS & (2) SATA connectors w/ RAID 0, 1, 10, 5 support
- (8) SAS 6G ports via (2) Mini-SAS connectors w/ RAID 0, 1, 1E, 10 support (S8236WGM3NR-HE/ S8236GM3NR)
- (3) GbE LAN
- Onboard BMC w/ IPMI and iKVM support
- EATX (12" x 13") form factor

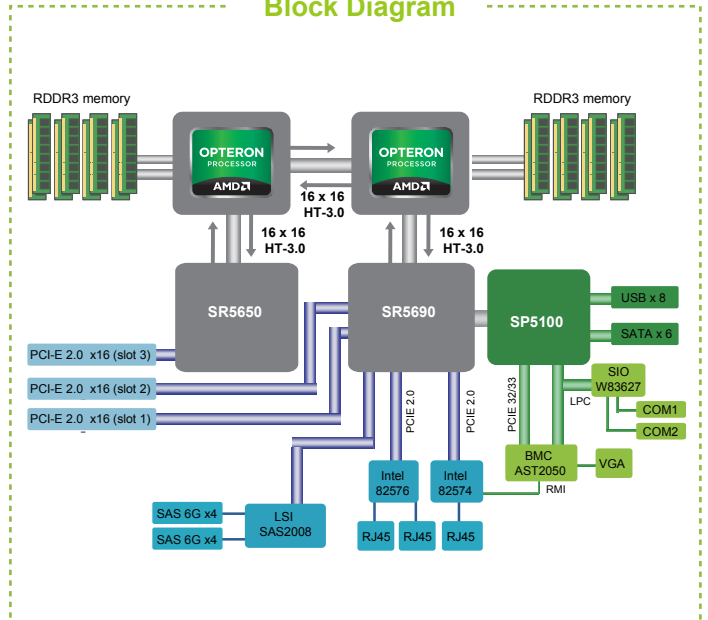


# S8236

S8236WGM3NR-HE (BTO) / S8236WGM3NR / S8236GM3NR

<b>Processor</b>	<b>Supported CPU Series</b>	AMD Opteron™ 6100/6200 series processors	
	<b>Socket Type / Q'ty</b>	G34 / (2)	
	<b>Average CPU Power (ACP) wattage</b>	Up to 105W	
	<b>System Bus</b>	Support (4) HyperTransport™ 3.0 link, max. bandwidth up to 25.6 GB/s @ 6.4GT/s per link	
<b>Chipset</b>	<b>Chipset</b>	AMD SR5690 + SR5650 + SP5100 (-HE SKUs) AMD SR5690 + SP5100	
	<b>Super I/O</b>	Winbond W83627DHG-P	
<b>Memory</b>	<b>Supported DIMM Qty</b>	(8+8) DIMM slots	
	<b>DIMM Type / Speed</b>	DDR3 1333/1066/800 RDIMM	
	<b>Capacity</b>	Up to 256GB RDIMM	
	<b>Memory channel</b>	8 Channels (4 Channels per CPU)	
	<b>Memory voltage</b>	1.5V/ 1.35V	
<b>Expansion Slots</b>	<b>PCI-E</b>	(3) PCI-E Gen.2 x16 slots (-HE SKU) (2) PCI-E Gen.2 x16 slots	
	<b>Recommended TYAN® Riser Card</b>	M2091, PCI-E x16 1U riser card (left) M2091-R, PCI-E x16 1U riser card (right)	
<b>Recommended Barebone / Chassis</b>	<b>1U Barebone</b>	GT24-B8236	
<b>LAN</b>	<b>Port Q'ty</b>	(3)	
	<b>Controller</b>	Intel® 82576EB Intel® 82574L	
<b>Storage</b>	<b>SAS (opt.)</b>	<b>Connector</b>	(2) Mini-SAS connectors (support 8 ports)
		<b>Controller</b>	LSI SAS2008
		<b>Speed</b>	6.0 Gb/s
	<b>SATA</b>	<b>Connector</b>	(1) Mini-SAS (4-port) + (2) SATA
		<b>Controller</b>	AMD SP5100
		<b>Speed</b>	3.0 Gb/s
<b>RAID</b>	RAID 0/1/10/5 (Promise RAID Stack)		
<b>Graphic</b>	<b>Connector type</b>	D-Sub 15-pin	
	<b>Resolution</b>	1600x1200@60Hz	
	<b>Chipset</b>	Aspeed AST2050	
<b>Input /Output</b>	<b>USB</b>	(7) USB2.0 ports (2 at rear, 4 via cable, 1 type A onboard)	
	<b>COM</b>	(2) ports (1 at rear, 1 via cable)	
	<b>SAS</b>	(2) Mini-SAS (4-in-1) connectors	
	<b>VGA</b>	(1) D-Sub 15-pin VGA port	
	<b>RJ-45</b>	(3) GbE ports	
	<b>Power</b>	Universal 24-pin + 8-pin + 8-pin power connectors	
	<b>Front Panel</b>	(1) 2x12 pin SSI front panel header	
	<b>SATA</b>	(1) Mini-SAS connector & (2) SATA-II connectors	
	<b>System Monitoring</b>	<b>Chipset</b>	Winbond W83795G
		<b>Voltage</b>	Monitors voltage for CPU, memory, chipset & power supply
<b>Fan</b>		Total (8) 4-pin headers	
<b>Temperature</b>		Monitors temperature for CPU & system environment	
<b>Others</b>		Chassis intrusion detection Watchdog timer support	

## Block Diagram



<b>Server Management</b>	<b>Onboard Chipset</b>	Onboard Aspeed AST2050
	<b>AST2050 IPMI Feature</b>	IPMI 2.0 compliant baseboard management controller (BMC) BIOS update USB 2.0 virtual hub
	<b>AST2050 iKVM Feature</b>	24-bit high quality video compression Dual 10/100 Mb/s MAC interfaces
<b>BIOS</b>	<b>Brand / ROM size</b>	AMI / 4MB
	<b>Feature</b>	Plug and Play (PnP) PCI 2.3 WfM2.0 / SMBIOS2.3 / PXE boot ACPI 2.0 power management Power on mode after power recovery User-configurable H/W monitoring Auto-configurable of hard disk types Multiple boot options
<b>Form Factor</b>	<b>Form Factor</b>	EATX
	<b>Board Dimension</b>	12"x13" (305x330mm)
<b>Operating System</b>	<b>OS supported list</b>	Please refer to our OS supported list.
<b>Regulation</b>	<b>FCC (DoC)</b>	Class B
	<b>CE (DoC)</b>	Yes
<b>Operating Environment</b>	<b>Operating Temp.</b>	10° C ~ 35° C (50° F ~ 95° F)
	<b>Non-operating Temp.</b>	-40° C ~ 70° C (-40° F ~ 158° F)
	<b>In/Non-operating Humidity</b>	90%, non-condensing at 35° C
<b>RoHS</b>	<b>RoHS 6/6 Compliant</b>	Yes

(Specifications are subject to change without notice. Items pictured may only be representative.)

**MITAC INTERNATIONAL CORP.**  
TYAN Business Unit

**USA**  
Tel: +1-510-651-8868  
Fax: +1-510-651-7688

**Taiwan**  
Tel: +886-2-2652-5888  
Fax: +886-2-2652-5805

**Japan**  
Tel: +81-3-3769-8311  
Fax: +81-3-3769-8328

**Europe**  
Sales: +32 2456 1721  
Technical Support: +32 2456 1722

**China**  
Shanghai Tel: +86-21-61431188 Ext 1366  
China Tel: +86-010-62555015 Ext 8302

