

Dual-Socket Server Platform



S8208

S8208GM2NR



■ AMD Opteron™ 2300/2400 series



High-density dual-socket server platform for IPDC environment

- Dual LGA1207 sockets support up to (2) AMD Opteron™ processors 2300/2400 series (codenamed Shanghai/ Istanbul)
- Support (3) HyperTransport™ 3.0 link, max. bandwidth up to 19.2 GB/s @ 4.8GT/s per link
- AMD SR5650 + SP5100
- (12) 240-pin DDR2 DIMM slots support up to 96GB R-DDR2 800/667/533MHz w/ ECC memory
- (1) PCI-E Gen.2 x16 slot
- (4) SATA-II connectors
- (2) GbE LAN
- Onboard BMC w/ IPMI and iKVM support
- TYAN Slim (6.3" x 16.4")

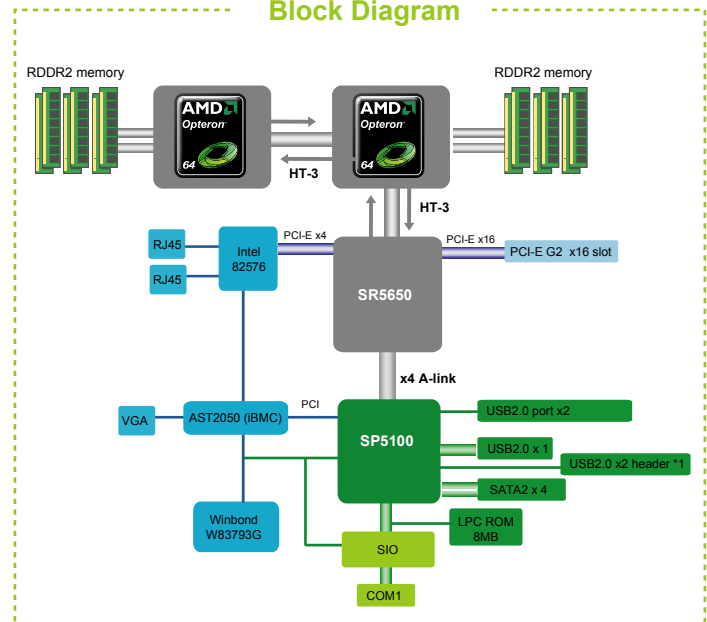
S8208

S7012WGM4NR/ S7012GM4NR

Specifications

Processor	Supported CPU Series	AMD Opteron™ processors 2300/2400 series
	Socket Type / Q'ty	LGA1207 / (2)
	Average CPU Power (ACP) wattage	Up to 55W
	System Bus	Support (3) HyperTransport™ 3.0 link, max. bandwidth up to 19.2 GB/s @ 4.8GT/s per link
Chipset	Chipset	AMD SR5650 + SP5100
	Super I/O	Winbond W83627DHG
Memory	Supported DIMM Qty	(6+6) DIMM sockets
	DIMM Type / Speed	DDR2 800/667/533 RDIMM
	Capacity	Up to 96GB RDIMM
	Memory channel	4 Channels (2 Channels per CPU)
Expansion Slots	Memory voltage	1.8V
	PCI-E	(1) PCI-E Gen.2 x16 slot
	Recommended TYAN® Riser Card	M7018-R16-1L PCI-E x16 1U riser card (right)
	Port Q'ty	(2)
LAN	Controller	Intel® 82576EB
	SATA	Connector
Controller		AMD SP5100
Speed		3.0 Gb/s
Graphic	Connector type	D-Sub 15-pin
	Resolution	1600x1200@60Hz
	Chipset	Aspeed AST2050
Input /Output	USB	(5) USB2.0 ports (2 at rear, 2 via cable, 1 type A onboard)
	COM	(2) ports (1 at rear, 1 via cable)
	VGA	(1) D-Sub 15-pin VGA port
	RJ-45	(2) GbE ports
	Power	Proprietary 20-pin (12V single input) power connector
	Front Panel	(1) 2x12 pin SSI front panel header
	SATA	(4) SATA-II connectors
System Monitoring	Chipset	Winbond W83793G
	Voltage	Monitors voltage for CPU, memory, chipset & power supply
	Fan	Total (5) 8-pin headers
	Temperature	Monitors temperature for CPU & system environment
	Others	Watchdog timer support
Server Management	Onboard Chipset	Onboard Aspeed AST2050
	AST2050 IPMI Feature	IPMI 2.0 compliant baseboard management controller (BMC) BIOS update USB 2.0 virtual hub
	AST2050 iKVM Feature	24-bit high quality video compression Dual 10/100 Mb/s MAC interfaces

Block Diagram



BIOS	Brand / ROM size	AMI / 4MB
	Feature	Plug and Play (PnP)/ PCI 2.3 WfM2.0 / SMBIOS2.3 / PXE boot ACPI 2.0 power management Power on mode after power recovery User-configurable H/W monitoring Auto-configurable of hard disk types Multiple boot options
Form Factor	Form Factor	TYAN SFF
	Board Dimension	6.3"x16.4" (160.02x416.56mm)
Operating System	OS supported list	Please refer to our OS supported list.
Regulation	FCC (DoC)	Class B
	CE (DoC)	Yes
Operating Environment	Operating Temp.	10° C ~ 35° C (50° F~ 95° F)
	Non-operating Temp.	- 40° C ~ 70° C (-40° F ~ 158° F)
	In/Non-operating Humidity	90%, non-condensing at 35° C
RoHS	RoHS 6/6 Complaint	Yes

(Specifications are subject to change without notice. Items pictured may only be representative.)

MITAC INTERNATIONAL CORP.
Enterprise Business Unit

USA
Tel: +1-510-651-8868
Fax: +1-510-651-7688

Taiwan
Tel: +886-2-2652-5888
Fax: +886-2-2652-5805

Japan
Tel: +81-3-3769-8311
Fax: +81-3-3769-8328

Netherlands
Tel: +31-10-2467722
Fax: +31-10-4735881

China
Shanghai Tel: +86-21-61431194
China Tel: +86-010-62555015 Ext 8302