

SINGLE-SOCKET SERVER PLATFORM

S5502

S5502WGM3NR / S5502GM3NR



DDR3



■ Intel® 3420 Chipset

1U-optimized, entry single-socket server platform for workgroups & SMB

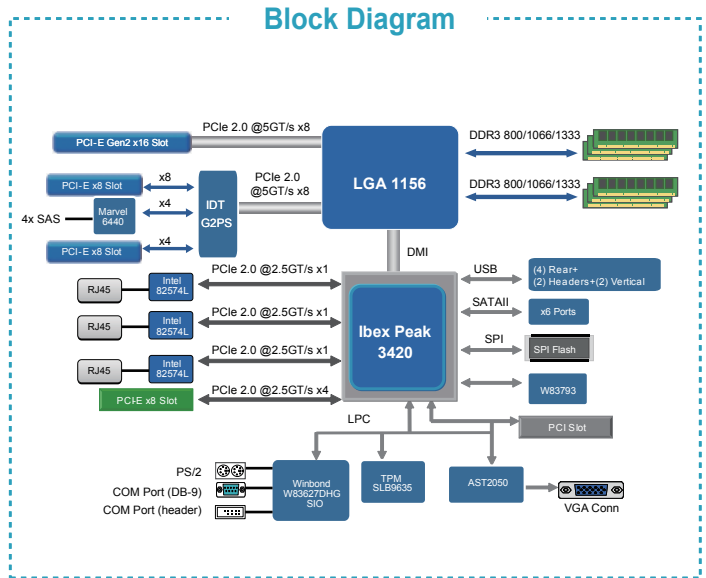
- Single LGA1156 socket supports (1) Intel® Xeon® processor 3400 series
- Intel® 3420 PCH
- (6) 240-pin DDR3 DIMM slots support up to 32GB R-DDR3 1333/1066/800MHz w/ ECC memory
- (2) PCI-E Gen.2 x8 slots
- (1) PCI 32/33MHz slot
- (6) SATA-II connectors w/ RAID 0, 1, 10, 5 support (Intel Matrix RAID)
- (8) SAS ports by (2) mini-SAS connectors w/ RAID 0, 1, 1E support (S5501WGM3NR)
- (3) GbE LAN
- Onboard BMC w/ IPMI and iKVM support
- EATX (12" x 13") form factor



S5502

S5502WGM3NR / S5502GM3NR

Processor	Supported CPU Series	Intel® Xeon® processors 3400 series	
	Socket Type / Q'ty	LGA1156 / (1)	
	Thermal Design Power (TDP) wattage	95W/ 82W/ 45W	
Chipset	PCH / PCI-E Switch	Intel® 3420 / IDT 89HIO524G2PS	
	Super I/O	Winbond W83627DHG	
Memory	Supported DIMM Qty	(6) DIMM sockets	
	DIMM Type / Speed	DDR3 800/1066/1333 RDIMM/UDIMM	
	Capacity	Up to 32GB RDIMM / 16GB UDIMM	
	Memory channel	2 Channels	
	Memory voltage	1.5V	
Expansion Slots	PCI-E	(1) PCI-E Gen.2 x16 slot (w/ x8 link) (1) PCI-E Gen.2 x8 slot (w/ x8 link) (1) PCI-E Gen.2 x8 slot (w/ x4 link) (1) PCI-E x8 slot (w/ x4 link)	
	Recommended TYAN® Riser Card	M2083-RS, PCI-E x16 1U riser card (left)	
	PCI	(1) PCI 32/33MHz slot	
	LAN	Port Q'ty (3) Controller Intel® 82574L	
Storage	SAS (opt.)	Connector	(4)
		Controller	Marvell 88SE6440 (S5502WGM3NR only)
		Speed	3.0 Gb/s
	SATA	Connector	(3) 2-port
		Controller	Intel® 3420
		RAID	RAID 0/1/10/5 (Intel® RST)
Graphic	Connector type	D-Sub 15-pin	
	Resolution	1600x1200@60Hz	
TPM	Chipset	Infineon SLB9635	
	Version	TPM v1.2	
Input /Output	USB	(10) USB2.0 ports (4 at rear, 4 via cable, 2 type A onboard)	
	COM	(2) ports (1 at rear, 1 via cable)	
	PS/2	(1) PS/2 connector	
	SAS (opt.)	(4) SAS connectors (S5502WGM3NR only)	
	VGA	(1) D-Sub 15-pin VGA port	
	RJ-45	(3) GbE ports	
	Power	SSI 24-pin + 8-pin power connectors / EPS12V	
	Front Panel	(1) 2x12 pin SSI front panel header	
System Monitoring	Chipset	Winbond W83793G	
	Voltage	Monitors voltage for CPU, memory, chipset & power supply	
	Fan	Total (5) 4-pin headers Total (5) 8-pin headers (for Barebone)	
	Temperature	Monitors temperature for CPU & system environment	
	Others	Chassis intrusion detection Watchdog timer support	



Server Management	Onboard Chipset	Onboard Aspeed AST2050
	AST2050 IPMI Feature	IPMI 2.0 compliant baseboard management controller (BMC) BIOS update USB 2.0 virtual hub
	AST2050 iKVM Feature	24-bit high quality video compression Dual 10/100 Mb/s MAC interfaces
BIOS	Brand / ROM size	AMI / 4MB
	Feature	Plug and Play (PnP)/ PCI 2.3 WfM2.0 / SMBIOS2.3 / PXE boot ACPI 2.0 power management Power on mode after power recovery User-configurable H/W monitoring Auto-configurable of hard disk types Multiple boot options
Form Factor	Form Factor	ATX
	Board Dimension	12"x9.6" (305x244mm)
Operating System	OS supported list	Please refer to our OS supported list.
	FCC (DoC)	Class B
Regulation	CE (DoC)	Yes
	Operating Temp.	5° C ~ 35° C (41° F ~ 95° F)
Operating Environment	Non-operating Temp.	- 40° C ~ 70° C (- 40° F ~ 158° F)
	In/Non-operating Humidity	90%, non-condensing at 35° C
RoHS	RoHS 6/6 Compliant	Yes

(Specifications are subject to change without notice. Items pictured may only be representative.)

MITAC INTERNATIONAL CORP.
TYAN Business Unit

USA
Tel: +1-510-651-8868
Fax: +1-510-651-7688

Taiwan
Tel: +886-2-2652-5888
Fax: +886-2-2652-5805

Japan
Tel: +81-3-3769-8311
Fax: +81-3-3769-8328

Europe
Sales: +32 2456 1721
Technical Support: +32 2456 1722

China
Shanghai Tel: +86-21-61431188 Ext 1366
China Tel: +86-010-62555015 Ext 8302