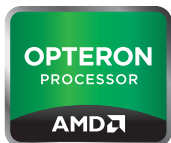


DUAL-SOCKET SERVER PLATFORM



S8236-IL

S8236WGM3NR-HE-IL (BTO) /
S8236WGM3NR-IL / S8236GM3NR-IL



■ AMD Opteron™ 6100/6200/6300 series

1U/2U-optimized dual-socket server platform for enterprise & GPGPU applications

- Quad G34 sockets support AMD Opteron™ 6100/ 6200/ 6300 series processors (Magny-Cours/ Interlagos/ Abu Dhabi)
- Support (4) HyperTransport™ 3.0 link, max. bandwidth up to 25.6 GB/s @ 6.4GT/s per link
- AMD SR5690 + SR5650 + SP5100 (S8236WGM3NR-HE-IL)
- AMD SR5690 + SP5100 (S8236WGM3NR/ S8236GM3NR)
- (16) 240-pin DDR3 DIMM slots support up to 256GB R-DDR3 1600/1333/1066/800MHz w/ ECC memory
- (2) PCI-E Gen.2 x16 slots (S8236GM3NR-IL/ S8236WGM3NR-IL)
- (3) PCI-E Gen.2 x16 slots (S8236WGM3NR-HE)
- (6) SATA-II ports via (1) Mini-SAS & (2) SATA connectors w/ RAID 0, 1, 10, 5 support
- (8) SAS 6G ports via (2) Mini-SAS connectors w/ RAID 0, 1, 1E, 10 support (S8236WGM3NR-HE-IL/ S8236WGM3NR-IL)
- (3) GbE LAN
- Onboard BMC w/ IPMI and iKVM support
- EATX (12" x 13") form factor

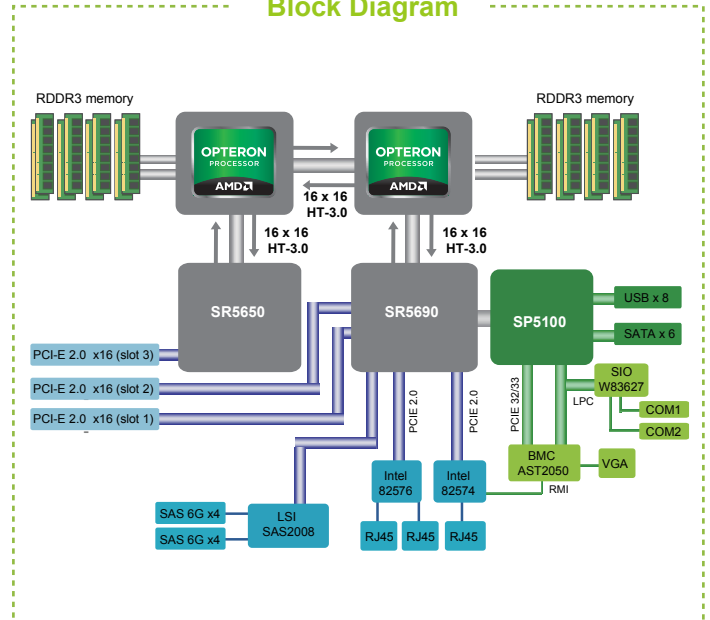


S8236-IL

S8236WGM3NR-HE-IL (BTO) / S8236WGM3NR-IL / S8236GM3NR-IL

Processor	Supported CPU Series	AMD Opteron™ processors 6100/6200/6300 series	
	Socket Type / Q'ty	G34(2)	
	Thermal Design power (TDP) wattage	Up to 115W	
	System Bus	Support (4) HyperTransport™ 3.0 link, max. bandwidth up to 25.6 GB/s @ 6.4GT/s per link	
Chipset	Chipset	AMD SR5690 + SR5650 + SP5100 (-HE SKUs) AMD SR5690 + SP5100	
	Super I/O	Winbond W83627DHG-P	
Memory	Supported DIMM Qty	(8+8) DIMM slots	
	DIMM Type / Speed	DDR3 1600/1333/1066/800 RDIMM	
	Capacity	Up to 256GB RDIMM	
	Memory channel	8 Channels (4 Channels per CPU)	
	Memory voltage	1.5V/ 1.35V/ 1.25V	
Expansion Slots	PCI-E	(3) PCI-E Gen.2 x16 slots (-HE SKU) (2) PCI-E Gen.2 x16 slots	
	Recommended TYAN® Riser Card	M2091, PCI-E x16 1U riser card (left) M2091-R, PCI-E x16 1U riser card (right)	
Recommended Barebone / Chassis	1U Barebone	GT24-B8236-IL	
	2U Barebone	GN70-B8236-IL	
LAN	Port Q'ty	(3)	
	Controller	Intel® 82576EB Intel® 82574L	
Storage	SAS (opt.)	Connector	(2) Mini-SAS connectors (support 8 ports)
		Controller	LSI SAS2008
		Speed	6.0 Gb/s
	SATA	Connector	(1) Mini-SAS (4-port) + (2) SATA
		Controller	AMD SP5100
		Speed	3.0 Gb/s
RAID	RAID 0/1/10/5 (Promise RAID Stack)		
Graphic	Connector type	D-Sub 15-pin	
	Resolution	1600x1200@60Hz	
	Chipset	Aspeed AST2050	
Input /Output	USB	(7) USB2.0 ports (2 at rear, 4 via cable, 1 type A onboard)	
	COM	(2) ports (1 at rear, 1 via cable)	
	SAS	(2) Mini-SAS (4-in-1) connectors	
	VGA	(1) D-Sub 15-pin VGA port	
	RJ-45	(3) GbE ports	
	Power	SSI / ATX 24-pin + 8-pin + 8-pin power connectors	
	Front Panel	(1) 2x12 pin SSI front panel header	
	SATA	(1) Mini-SAS connector & (2) SATA-II connectors	
	System Monitoring	Chipset	Winbond W83795G
		Voltage	Monitors voltage for CPU, memory, chipset & power supply
Fan		Total (8) 4-pin headers	
Temperature		Monitors temperature for CPU & system environment	
Others		Chassis intrusion detection Watchdog timer support	

Block Diagram



Server Management	Onboard Chipset	Onboard Aspeed AST2050
	AST2050 IPMI Feature	IPMI 2.0 compliant baseboard management controller (BMC) BIOS update USB 2.0 virtual hub
	AST2050 iKVM Feature	24-bit high quality video compression Dual 10/100 Mb/s MAC interfaces
BIOS	Brand / ROM size	AMI / 4MB
	Feature	Plug and Play (PnP) PCI 2.3 WfM2.0 / SMBIOS2.3 / PXE boot ACPI 2.0 power management Power on mode after power recovery User-configurable H/W monitoring Auto-configurable of hard disk types Multiple boot options
Form Factor	Form Factor	EATX
	Board Dimension	12"x13" (305x330mm)
Operating System	OS supported list	Please refer to our OS supported list.
Regulation	FCC (DoC)	Class A
	CE (DoC)	Yes
Operating Environment	Operating Temp.	10° C ~ 35° C (50° F ~ 95° F)
	Non-operating Temp.	-40° C ~ 70° C (-40° F ~ 158° F)
	In/Non-operating Humidity	90%, non-condensing at 35° C
RoHS	RoHS 6/6 Compliant	Yes

(Specifications are subject to change without notice. Items pictured may only be representative.)

MITAC INTERNATIONAL CORP.
TYAN Business Unit

USA
Tel: +1-510-651-8868
Fax: +1-510-651-7688

Taiwan
Tel: +886-2-2652-5888
Fax: +886-2-2652-5805

Japan
Tel: +81-3-3769-8311
Fax: +81-3-3769-8328

Europe
Sales: +32 2456 1721
Technical Support: +32 2456 1722

China
Shanghai Tel: +86-21-61431188 Ext 1366
China Tel: +86-010-62555015 Ext 8302