

## Dual-Socket Server Platform



### S8212

S8212WGM3NR / S8212GM3NR  
S8212WGM3NR-LE / S8212GM3NR-LE (BTO)



■ AMD Opteron™ 2300/2400 series

#### High-performance dual-socket server platform for enterprise & HPC applications

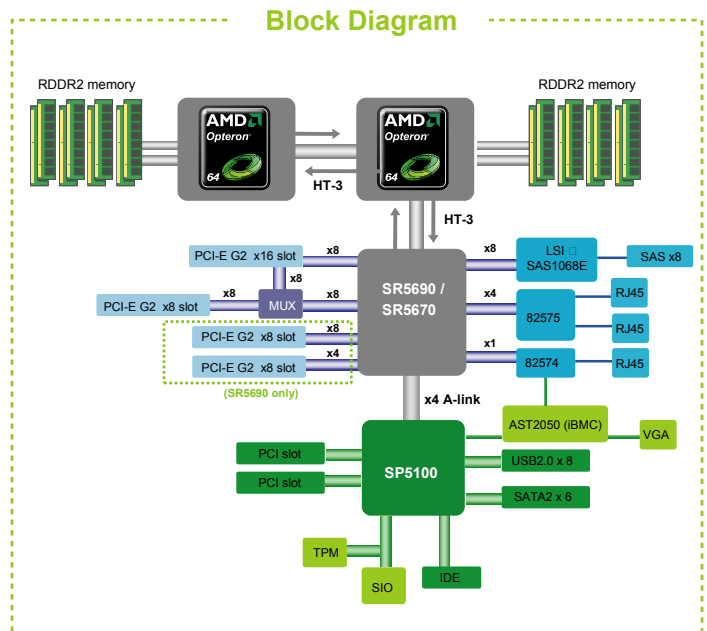
- Dual LGA1207 sockets support up to (2) AMD Opteron™ processors 2300/2400 series (codenamed Shanghai/ Istanbul)
- Support (3) HyperTransport™ 3.0 link, max. bandwidth up to 19.2 GB/s @ 4.8GT/s per link
- AMD SR5690 + SP5100 (S8212WGM3NR/ S8212GM3NR)
- AMD SR5670 + SP5100 (S8212WGM3NR-LE/ S8212GM3NR-LE)
- (16) 240-pin DDR2 DIMM slots support up to 128GB R-DDR2 800/667/533MHz w/ ECC memory
- (1) PCI-E Gen.2 x16 slot (w/ x16 or x8 link)
- (1) PCI-E Gen.2 x8 slot (w/ x0 or x8 link)
- (1) PCI-E Gen.2 x8 slot (w/ x4 link) (S8212WGM3NR/ S8212GM3NR)
- (1) PCI-E Gen.2 x8 slot (S8212WGM3NR/ S8212GM3NR)
- (2) PCI 32/33MHz slots
- (6) SATA-II connectors
- (8) SAS connectors w/ RAID 0, 1, 1E support (S8212WGM3NR/ S8212WGM3NR-LE)
- (3) GbE LAN
- Onboard BMC w/ IPMI and iKVM support
- EATX (12" x 13") form factor

# S8212

S8212WGM3NR / S8212GM3NR / S8212WGM3NR-LE / S8212GM3NR-LE (BTO)

# Specifications

Processor	<b>Supported CPU Series</b>	AMD Opteron™ processors 2300/2400 series	
	<b>Socket Type / Q'ty</b>	LGA1207 / (2)	
	<b>Average CPU Power (ACP) wattage</b>	Up to 115W	
	<b>System Bus</b>	Support (3) HyperTransport™ 3.0 link, max. bandwidth up to 19.2 GB/s @ 4.8GT/s per link	
Chipset	<b>Chipset</b>	AMD SR5690 + SP5100 (S8212WGM3NR/S8212GM3NR) AMD SR5670 + SP5100 (S8212GM3NR-LE / S8212GM3NR-LE)	
	<b>Super I/O</b>	Winbond W83627DHG-P	
Memory	<b>Supported DIMM Qty</b>	(8+8) DIMM sockets	
	<b>DIMM Type / Speed</b>	DDR2 800/667/533 RDIMM	
	<b>Capacity</b>	Up to 128GB RDIMM	
	<b>Memory channel</b>	4 Channels (2 Channels per CPU)	
Expansion Slots	<b>Memory voltage</b>	1.8V	
	<b>PCI-E</b>	(1) PCI-E Gen.2 x16 slot (w/ x16 or x8 link) (1) PCI-E Gen.2 x8 slot (w/ x0 or x8 link) (1) PCI-E Gen.2 x8 slot (w/ x4 link) (S8212WGM3NR/S8212GM3NR) (1) PCI-E Gen.2 x8 slot (S8212WGM3NR/S8212GM3NR)	
	<b>Recommended TYAN® Riser Card</b>	M2091, PCI-E x16 1U riser card (left)	
	<b>PCI</b>	(2) PCI 32/33MHz slots	
LAN	<b>Port Q'ty</b>	(3)	
	<b>Controller</b>	Intel® 82575EB Intel® 82574L	
Storage	<b>SAS (opt.)</b>	<b>Connector</b>	(8)
		<b>Controller</b>	LSI SAS1068E (S8212WGM3NR/S8212WGM3NR-LE)
		<b>Speed</b>	3.0 Gb/s
	<b>SATA</b>	<b>RAID</b>	RAID 0/1/1E (LSI Integrated RAID)
		<b>Connector</b>	(6)
		<b>Controller</b>	AMD SP5100
Graphic	<b>Speed</b>	3.0 Gb/s	
	<b>Connector type</b>	D-Sub 15-pin	
	<b>Resolution</b>	1600x1200@60Hz	
Input /Output	<b>Chipset</b>	Aspeed AST2050	
	<b>USB</b>	(8) USB2.0 ports (2 at rear, 4 via cable, 2 type A onboard)	
	<b>COM</b>	(2) ports (1 at rear, 1 via cable)	
	<b>PS/2</b>	(1) PS/2 connector	
	<b>SAS (opt.)</b>	(8) SAS connectors (S8212WGM3NR/S8212WGM3NR-LE)	
	<b>VGA</b>	(1) D-Sub 15-pin VGA port	
	<b>RJ-45</b>	(3) GbE ports	
	<b>Power</b>	SSI 24-pin + 8-pin + 8-pin + 4-pin power connectors / EPS12V	
	<b>Front Panel</b>	(1) 2x12 pin SSI front panel header	
	<b>SATA</b>	(6) SATA-II connectors	
System Monitoring	<b>Chipset</b>	Winbond W83793G	
	<b>Voltage</b>	Monitors voltage for CPU, memory, chipset & power supply	
	<b>Fan</b>	Total (7) 4-pin headers	
	<b>Temperature</b>	Monitors temperature for CPU & system environment	
	<b>Others</b>	Chassis intrusion detection Watchdog timer support	



Server Management	<b>Onboard Chipset</b>	Onboard Aspeed AST2050
	<b>AST2050 IPMI Feature</b>	IPMI 2.0 compliant baseboard management controller (BMC) BIOS update USB 2.0 virtual hub
	<b>AST2050 iKVM Feature</b>	24-bit high quality video compression Dual 10/100 Mb/s MAC interfaces
BIOS	<b>Brand / ROM size</b>	AMI / 4MB
	<b>Feature</b>	Plug and Play (PnP) / PCI 2.3 WfM2.0 / SMBIOS2.3 / PXE boot ACPI 2.0 power management Power on mode after power recovery User-configurable H/W monitoring Auto-configurable of hard disk types Multiple boot options
Form Factor	<b>Form Factor</b>	EATX
Operating System	<b>Board Dimension</b>	12"x13" (305x330mm)
	<b>OS supported list</b>	Please refer to our OS supported list.
Regulation	<b>FCC (DoC)</b>	Class B
	<b>CE (DoC)</b>	Yes
Operating Environment	<b>Operating Temp.</b>	10° C ~ 35° C (50° F ~ 95° F)
	<b>Non-operating Temp.</b>	- 40° C ~ 70° C (-40° F ~ 158° F)
	<b>In/Non-operating Humidity</b>	90%, non-condensing at 35° C
RoHS	<b>RoHS 6/6 Complaint</b>	Yes

(Specifications are subject to change without notice. Items pictured may only be representative.)

**MITAC INTERNATIONAL CORP.**  
Enterprise Business Unit

**USA**  
Tel: +1-510-651-8868  
Fax: +1-510-651-7688

**Taiwan**  
Tel: +886-2-2652-5888  
Fax: +886-2-2652-5805

**Japan**  
Tel: +81-3-3769-8311  
Fax: +81-3-3769-8328

**Netherlands**  
Tel: +31-10-2467722  
Fax: +31-10-4735881

**China**  
Shanghai Tel: +86-21-61431194  
China Tel: +86-010-62555015 Ext 8302