

DUAL-SOCKET RACK-OPTIMIZED PLATFORM



S7067

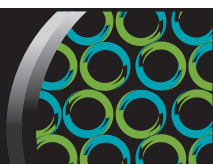
S7067WGM3NR-2T / S7067GM3NR-2T



■ Intel® C602 Chipset

Dual-socket SMP server implementation for IPDC Rack Deployment

- Dual LGA2011 socket supports Intel Xeon Processor E5-2600/E5-2600 v2 Series CPU
- Intel® Patsburg-A + LSI SAS 6G Controller
- (8 + 8) 240-pin UDIMM/RDIMM/LRDIMM ECC 1066/1333/1600/1866
*Speed 1866 only for 1 slot per channel 1.5V(Blue color DIMM slot)
- (1) PCI-E x8
- (4) SATA ports by (1) mini-SAS connector running at 3.0 Gb/s w/ RAID 0, 1, 10, 5 support (AHCI)
- (2) SATA connectors running at 6.0 Gb/s (AHCI)
- (8) SATA/SAS ports by (2) mini-SAS connectors running at 6.0Gb/s w/ RAID 0, 1, 10 support (-W SKU)
- (1) GbE (via Intel® 82574L)
- (2) 10 GbE SFP+ (Via Broadcom 57810S)
- EATX (12" x 13", 305mm x 330mm)

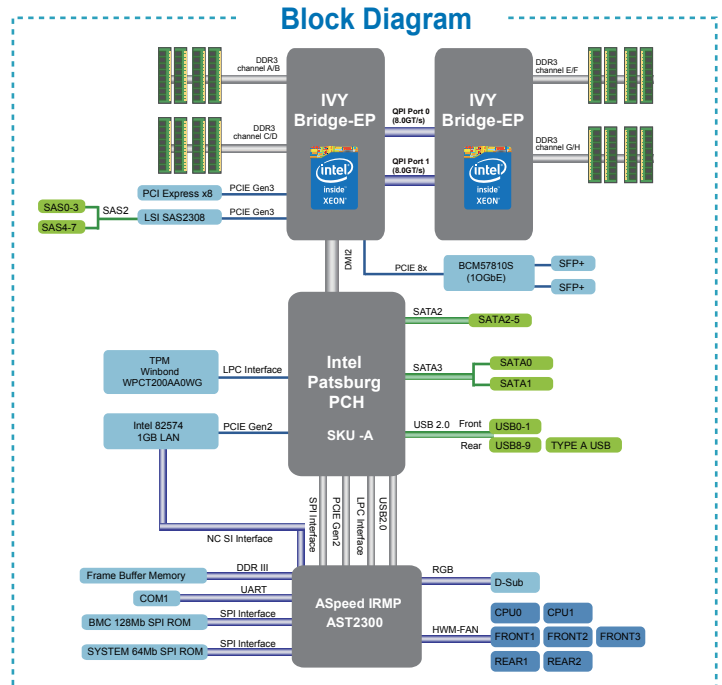


S7067

S7067WGM3NR-2T / S7067GM3NR-2T

TYAN Specifications

Processor	Supported CPU Series	Intel Xeon Processor E5-2600/E5-2600 v2 Series	
	Socket Type / Q'ty	LGA2011 / (2)	
	Thermal Design Power (TDP) wattage	Max up to 130W	
Chipset	PCH / PCI-E Switch	Intel® C602 series	
	Super I/O	-	
Memory	Supported DIMM Qty	(8+8) DIMM sockets	
	DIMM Type / Speed	UDIMM/RDIMM/LRDIMM ECC 1066/1333/1600/1866 *Speed 1866 only for 1 slot per channel 1.5V(Blue color DIMM slot)	
	Capacity	up to 128GB UDIMM / 256GB RDIMM / 512GB LRDIMM	
	Memory channel	4 Channels	
	Memory voltage	1.35V/1.5V	
Expansion Slots	PCI-E	(1) sets of the following expansion combination: (1) PCI-E x8 slot	
	Recommended TYAN® Riser Card		
	PCI	-	
LAN	Port Q'ty	(1)GbE port shared with IPMI	
	Controller	Intel® 82574L	
10GbE LAN	Port Q'ty	(2)	
	Controller	Broadcom 57810S	
	Connector type	SFP+	
Storage	SAS (opt.)	Connector	(8) SAS (S7067WGM3NR-2T SKU)
		Controller	LSI SAS2308
		Speed	6.0 Gb/s (mini-SAS connector)
		RAID	RAID 0/1/10
	SATA	Connector	(6) SATA (S7067GM3NR-2T SKU)
		Controller	Intel® C602
Speed		(2) 6.0 Gb/s(blue color); (4) 3.0 Gb/s (mini-SAS connectors)	
RAID	RAID 0/1/10/5 (Intel® RST)		
Graphic	Connector type	D-Sub 15-pin	
	Resolution	up to 1920 x 1200	
	Chipset	Aspeed AST2300	
Audio	Chipset	-	
	Version	-	
TPM (optional)	Chipset	Winbond	
	Version	WPCT200AAOWG	
Input / Output	USB	(5) USB2.0 ports (2 at rear, 2 via cable, 1 type A onboard)	
	COM	(1) header (1) port (rear)	
	Audio	-	
	VGA	(1) D-Sub 15-pin VGA port	
	DVI	-	
	Display Port	-	
	Power	SSI 24-pin + 8-pin + 8-pin power connectors	
	RJ-45	(1) GbE ports	
	SAS	(2) Mini-SAS (4-in-1) connectors	
	Front Panel	(1) 2x12-pin SSI front panel header	
	SATA	(1) Mini-SAS connector (2) SATA II connectors	
	SFP+	(2) 10GbE Ports	



System Monitoring	Chipset	Aspeed AST2300
	Voltage	Monitors voltage for CPU, memory, chipset & power supply
	Fan	Total (5) 4-pin headers
	Temperature	Monitors temperature for CPU & memory
Server Management	Onboard Chipset	Onboard Aspeed AST2300
	AST2300 IPMI Feature	IPMI 2.0 compliant baseboard management controller (BMC) Supports storage over IP and remote platform-flash USB 2.0 virtual hub
	AST2300 iKVM Feature	24-bit high quality video compression 10/100 Mb/s MAC interface
BIOS	Brand / ROM size	AMI / 8MB
	Feature	Plug and Play (PnP) / PC12.3 / WfM2.0 / SMBIOS2.3 / PXE boot / ACPI 2.0 power management / Power on mode after power recovery / User-configurable H/W monitoring / Auto-configurable of hard disk types
Form Factor	Form Factor	EATX
	Board Dimension	12"x13" (305x330mm)
Operating System	OS supported list	Please refer to our OS supported list.
Regulation	FCC (DoC)	Class A
	CE (DoC)	Yes
Operating Environment	Operating Temp.	10° C ~ 35° C (50° F ~ 95° F)
	Non-operating Temp.	- 40° C ~ 70° C (-40° F ~ 158° F)
	In/Non-operating Humidity	90%, non-condensing at 35° C Non-operating Relative Humidity: 10% to 95% (non-condensing)
RoHS	RoHS 6/6 Compliant	Yes

(Specifications are subject to change without notice. Items pictured may only be representative.)

MITAC INTERNATIONAL CORP.
TYAN Business Unit

USA
Tel: +1-510-651-8868
Fax: +1-510-651-7688

Taiwan
Tel: +886-2-2652-5888
Fax: +886-2-2652-5805

Japan
Tel: +81-3-3769-8311
Fax: +81-3-3769-8328

Europe
Sales: +32 2456 1721
Technical Support: +32 2456 1722

China
Shanghai Tel: +86-21-61431188 Ext 1366
China Tel: +86-010-62555015 Ext 8302