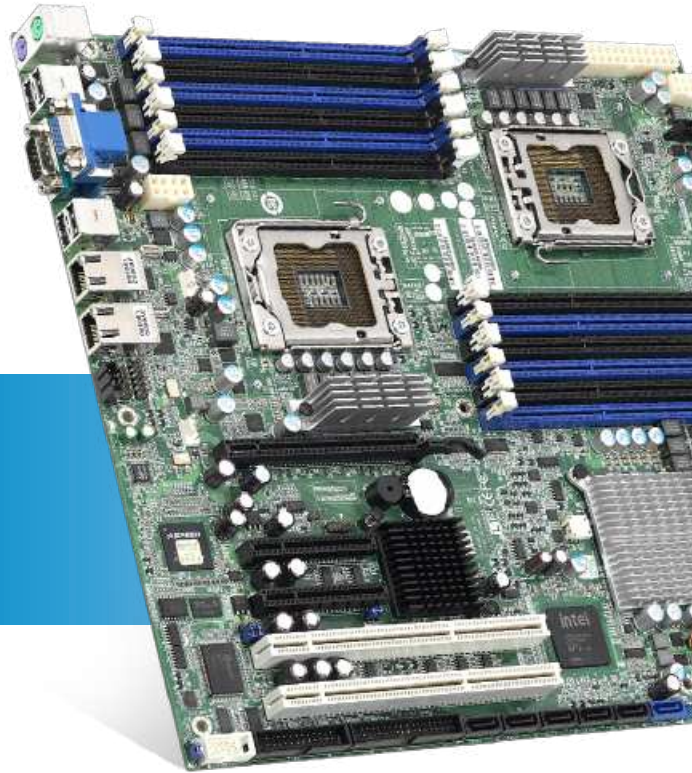


DUAL-SOCKET SERVER / WORKSTATION PLATFORM

S7020

S7020WAGM2NR / S7020AGM2NR



■ Intel® 5520 Chipset

Dual-socket server/workstation platform with PCI-X and iKVM support

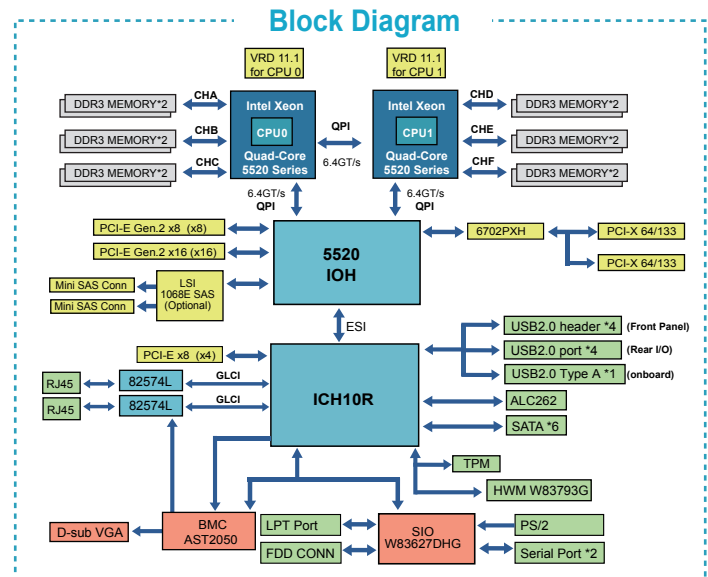
- Dual LGA1366 sockets support up to (2) Intel® Xeon® processors 5500/ 5600 series
- Support QPI 6.4/ 5.86/ 4.8 GT/s
- Intel® 5520 IOH
- Intel® ICH10R South Bridge
- (12) 240-pin DDR3 DIMM slots support up to 96GB R-DDR3 1333/1066/800MHz w/ ECC memory
- (1) PCI-E Gen.2 x16 slot
- (1) PCI-E Gen.2 x8 slot
- (1) PCI-E x8 slot (w/ x4 link)
- (2) PCI-X 64/133MHz slots
- (8) SAS ports by (2) mini-SAS connectors w/ RAID 0, 1, 1E support (S7020WAGM2NR)
- (6) SATA-II connectors w/ RAID 0, 1, 10, 5 support
- Onboard Audio
- (2) GbE LAN
- Onboard BMC w/ IPMI and iKVM support
- SSI EEB (12" x 13") form factor



S7020

S7020WAGM2NR / S7020AGM2NR

Processor	Supported CPU Series	Intel® Xeon® 5500/5600 series QC/DC processors	
	Socket Type / Q'ty	LGA1366 / (2)	
	Thermal Design Power (TDP) wattage	130W	
	System Bus (MHz)	Up to 4.8/ 5.86/ 6.4GT/s with Intel QuickPath Interconnect (QPI) support	
Chipset	IOH / ICH	Intel® 5520 / ICH10R	
	Super I/O	Winbond W83627DHG	
	PCI-X Bridge	Intel® 6702PXH	
Memory	Supported DIMM Qty	(12) DIMM sockets	
	DIMM Type / Speed	DDR3 800/1066/1333 RDIMM/UDIMM	
	Capacity	Up to 96GB at launch w/ dual rank RDIMMs	
	Memory channel	6 Channels (3 Channels per CPU)	
	Memory voltage	1.5V	
Expansion Slots	PCI-E	(1) PCI-E Gen.2 x16 slot (1) PCI-E Gen.2 x8 slot (1) PCI-E x8 slot (w/ x4 link)	
	PCI-X	(2) PCI-X 64-bit 133MHz/100MHz slots	
LAN	Port Q'ty	(2)	
	Controller	Intel® 82574L	
Storage	SAS (opt.)	Connector	(2) Mini-SAS connectors (support 8 ports)
		Controller	LSI SAS1068E (S7020WGM2NR only)
		Speed	3.0 Gb/s
	SATA	Connector	(6) SATA
		Controller	ICH10R
		Speed	3.0 Gb/s
	RAID	RAID 0/1/10/5 (Intel® Matrix RAID)	
Graphic	Connector type	D-Sub 15-pin	
	Resolution	1600x1200@60Hz	
Audio	Chipset	Aspeed AST2050	
	Chipset	Realtek ALC262	
	Feature	HDA 2.0 spec. complaint	
Input /Output	Notice	3-port audio bracket cable is optional	
	USB	(9) USB2.0 ports (4 at rear, 4 via cable, 1 type A onboard)	
	COM	(2) ports (1 at rear, 1 via cable)	
	SAS (opt.)	(2) Mini-SAS (4-in-1) connectors (S7020WGM2NR only)	
	VGA	(1) D-Sub 15-pin VGA port	
	Audio	(1) CD_IN header (1) 2x5-pin front panel audio header (1) 2x6-pin rear audio header	
	RJ-45	(2) GbE ports	
	LPT	(1) LPT header	
	Power	SSI 24-pin + 8-pin + 8-pin power connectors / EPS12V	
	Front Panel	(1) 2x12-pin SSI front panel header	
	FDD	(1) FDD connector	
	SATA	(6) SATA-II connectors	
	System Monitoring	Chipset	Winbond W83793G
		Voltage	Monitors voltage for CPU, memory, chipset & power supply
Fan		Total (5) 4-pin headers Total (5) 8-pin headers	



System Monitoring	Temperature	Monitors temperature for CPU & system environment
	Others	Chassis intrusion detection Watchdog timer support
Server Management	Onboard Chipset	Aspeed AST2050
	AST2050 IPMI Feature	IPMI 2.0 compliant baseboard management controller (BMC) BIOS update USB 2.0 virtual hub
	AST2050 iKVM Feature	24-bit high quality video compression Dual 10/100 Mb/s MAC interfaces
BIOS	Brand / ROM size	AMI / 4MB
	Feature	Plug and Play (PnP) / PCI2.3 WfM2.0 / SMBIOS2.3 / PXE boot ACPI 2.0 power management Power on mode after power recovery User-configurable H/W monitoring Auto-configurable of hard disk types Multiple boot options
Form Factor	Form Factor	SSI EEB
	Board Dimension	12"x13" (305x330mm)
Operation System	OS supported list	Please refer to our OS supported list.
Regulation	FCC (DoC)	Class B
	CE (DoC)	Yes
Operating Environment	Operating Temp.	10° C ~ 35° C (50° F~ 95° F)
	Non-operating Temp.	- 40° C ~ 70° C (-40° F ~ 158° F)
	In/Non-operating Humidity	90%, non-condensing at 35° C
RoHS	RoHS 6/6 Complaint	Yes

(Specifications are subject to change without notice. Items pictured may only be representative.)

MITAC INTERNATIONAL CORP.
TYAN Business Unit

USA
Tel: +1-510-651-8868
Fax: +1-510-651-7688

Taiwan
Tel: +886-2-2652-5888
Fax: +886-2-2652-5805

Japan
Tel: +81-3-3769-8311
Fax: +81-3-3769-8328

Europe
Sales: +32 2456 1721
Technical Support: +32 2456 1722

China
Shanghai Tel: +86-21-61431188 Ext 1366
China Tel: +86-010-62555015 Ext 8302

