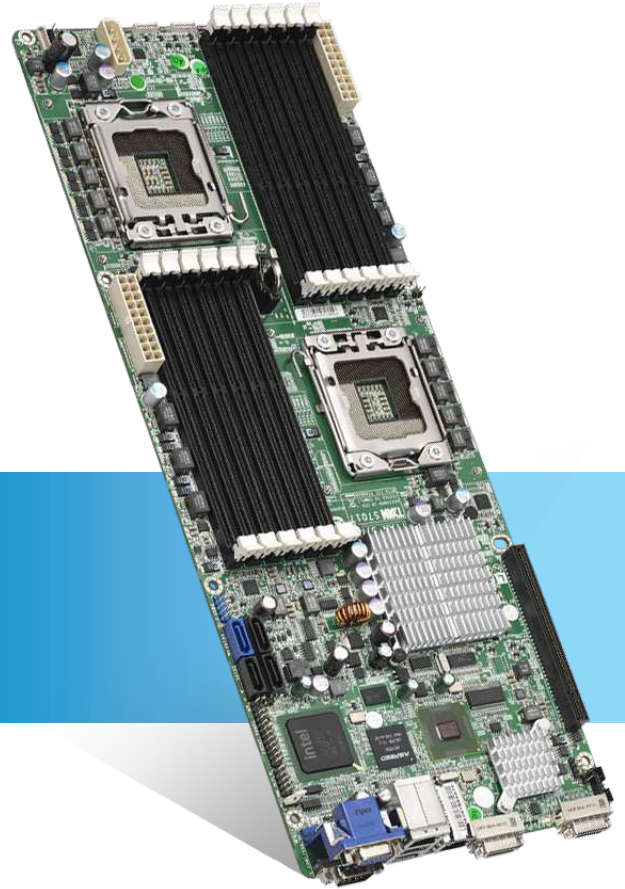


DUAL-SOCKET SERVER/ WORKSTATION PLATFORM



S7017
S7017GM2NRI (BTO)



■ Intel® 5520 Chipset

Dual-socket HPC server platform with dual-port QDR InfiniBand and iKVM support

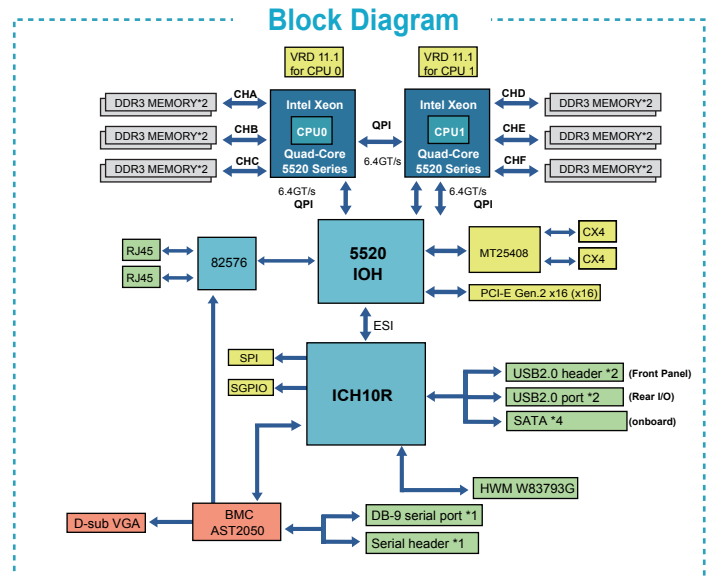
- Dual LGA1366 sockets support up to (2) Intel® Quad-Core Xeon® 5500/ 5600 series processors
- Support QPI 6.4/ 5.86/ 4.8 GT/s
- Intel® 5520 IOH
- Intel® ICH10R South Bridge
- (12) 240-pin DDR3 DIMM slots support up to 96GB R-DDR3 1333/1066/800MHz w/ ECC memory
- (1) PCI-E Gen.2 x16 slot
- (6) SATA-II connectors w/ RAID 0, 1, 10, 5 support
- (2) GbE LAN
- (2) InfiniBand 4X ports by Mellanox ConnectX IB MT25408A0-FCC-QI
- Onboard BMC w/ iKVM support
- Slim (6.3" x 16.4") form factor



S7017

S7017GM2NRI (BTO)

Processor	Supported CPU Series	Intel® Xeon® 5500 series QC/DC processors	
	Socket Type / Q'ty	LGA1366 / (2)	
	Thermal Design Power (TDP) wattage	95W	
	System Bus (MHz)	Intel® QuickPath Interconnect (QPI)	
Chipset	IOH / ICH	Intel® 5520 / ICH10R	
	Super I/O	Winbond W83627	
Memory	Supported DIMM Qty	(12) DIMM sockets	
	DIMM Type / Speed	DDR3 800/1066/1333 RDIMM/UDIMM	
	Capacity	Up to 96GB at launch w/ dual rank RDIMMs	
	Memory channel	6 Channels (3 Channels per CPU)	
	Memory voltage	1.5V	
Expansion Slots	PCI-E	(1) PCI-E Gen.2 x16 slot	
	Recommended TYAN Riser Card	M2087-R, PCI-E x16 1U riser card (low-profile/ right)	
LAN	Port Q'ty	(2)	
	Controller	Intel® 82574L	
Storage	SATA	Connector	(6) SATA
		Controller	ICH10R
		Speed	3.0 Gb/s
		RAID	RAID 0/1/10/5 (Intel Matrix RAID)
Graphic	Connector type	D-Sub 15-pin	
	Resolution	1600x1200@60Hz	
	Chipset	Aspeed AST2050	
InfiniBand	Port Q'ty / Speed	(2) 4X ports / 10, 20, 40Gb/s per port	
	Chipset	Mellanox ConnectX IB MT25408A0-FCC-QI	
	Feature	QDR (Quad. Data Rate)	
Input /Output	USB	(7) USB2.0 ports (2 at rear, 4 via cable, 1 type A onboard)	
	COM	(2) ports (1 at rear, 1 via cable)	
	VGA	(1) D-Sub 15-pin VGA port	
	RJ-45	(2) GbE ports	
	InfiniBand	(2) CX4 ports	
	Power	SSI 24-pin + 8-pin + 8-pin power connectors / EPS12V	
	Front Panel	(1) 2x12-pin SSI Front Panel header	
	SATA	(6) SATA-II connectors	
System Monitoring	Chipset	Winbond W83793G	
	Voltage	Monitors voltage for CPU, memory, chipset & power supply	
	Fan	Total (5) 8-pin headers	
	Temperature	Monitors temperature for CPU & system environment	
	LED	Fan fail LED indicator (presented by system front panel) Over temperature warning indicator	
	Others	Chassis intrusion detection Watch Dog timer support	
Server Management	Onboard Chipset	Onboard Aspeed AST2050	
	AST2050 IPMI Feature	IPMI 2.0 compliant baseboard management controller (BMC) Supports storage over IP and remote platform-flash BIOS update USB 2.0 virtual hub	
	AST2050 iKVM Feature	24-bit high quality video compression Dual 10/100 Mb/s MAC interfaces	



BIOS	Brand / ROM size	AMI / 4MB
	Feature	Plug and Play (PnP) / PCI2.3 WfM2.0 / SMBIOS2.3 / PXE Boot ACPI 2.0 power management Power on mode after power recovery User-configurable H/W monitoring Auto-configurable of hard disk types Multiple boot options
Form Factor	Form Factor	Proprietary
	Board Dimension	6.3"x16.4" (160.02x416.56mm)
Operation System	OS supported list	Please refer to our OS supported list.
Regulation	FCC (Doc)	Class A
	CE (Doc)	Yes
Operating Environment	Operating Temp	10° C ~ 35° C (50° F ~ 95° F)
	Non-operating Temp	- 40° C ~ 70° C (-40° F ~ 158° F)
	In/Non-operating Humidity	90%, non-condensing at 35° C
RoHS	RoHS 6/6 Compliant	Yes
Package Contains	Motherboard	(1) TYAN® S7017 Motherboard
	Manual	(1) User's manual / (1) Quick Ref. Guide
	Installation CD	(1) TYAN® installation CD
	I/O Shield	(1) I/O Shield
	Cable	SATA (6) SATA signal cables USB (1) CCBL-035J, 2-port USB bracket cable
Optional accessories for future upgrade	Riser Card	M2087-R, PCI-E x16 1U riser card (low-profile/ right)

(Specifications are subject to change without notice. Items pictured may only be representative.)

