

SINGLE-SOCKET SERVER PLATFORM

S5533

S5533GM2NR-LE



■ Intel® C222 Chipset

Single-socket Server Platform

- Single LGA1150 socket support (1) Intel® Xeon® E3-1200 v3 & 4th Gen. Core i3 series processors
- Intel® C222
- (2) 240-pin DDR3 DIMM slots support up to 16GB unbuffered ECC DDR3 1600/1333/1066
- (1) PCI-E Gen3 x16 slots
- (4) SATA-II connectors running at 3.0 Gb/s + (2) SATA-III connectors running at 6.0Gb/s w/RAID 0/1/10/5 (Intel RST)
- (2) GbE (via Intel® I210)
- (1) PHY (via Realtek® RTL 8211EL)
- Mini-ITX 6.69" x 6.69" (170 x 170mm)



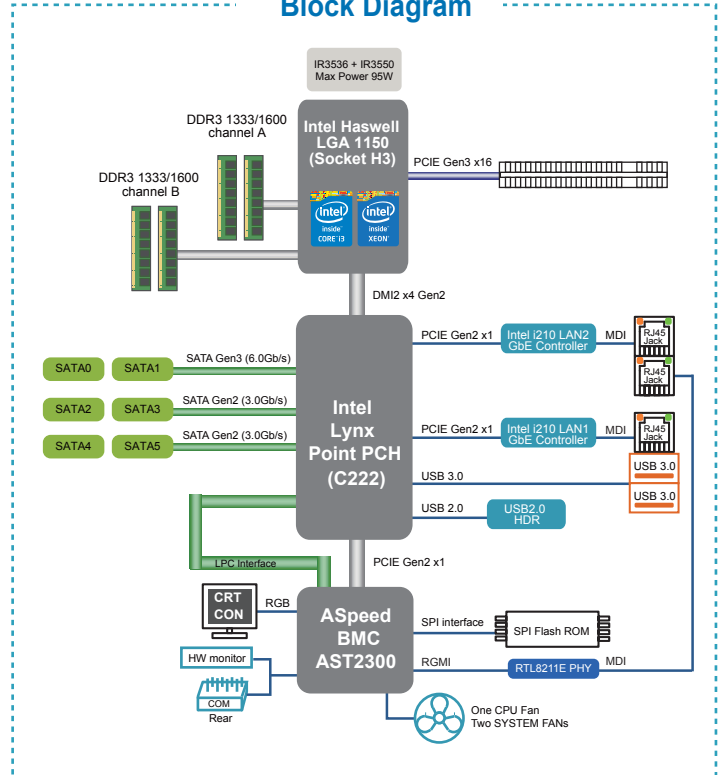
S5533

S5533GM2NR-LE

TYAN Specifications

Processor	Supported CPU Series	Intel® Xeon® E3-1200 v3 & 4th Gen. Core i3 series processors	
	Socket Type / Q'ty	LGA 1150/ (1)	
	Thermal Design Power (TDP)wattage	Max up to 95W	
Chipset	PCH / PCI-E Switch	Intel® C222	
	Super I/O	-	
Memory	Supported DIMM Qty	(2) DIMM slots	
	DIMM Type / Speed	Unbuffered ECC DDR3 1600/1333/1066	
	Capacity	Up to 16GB	
	Memory voltage	1.5V	
Expansion Slots	PCI-E	(1) PCI-E Gen3 x16 slots	
	PCI	-	
LAN	Port Q'ty	(2) GbE ports	
	Controller	Intel® I210	
	PHY	(1) dedicated for IPMI	
	Controller	Realtek® RTL 8211EL	
Storage	SAS (opt.)	Connector	-
		Controller	-
		Speed	-
		RAID	-
	SATA	Connector	(6) SATA
		Controller	Intel® C222
		Speed	(2) 6.0 Gb/s(blue color); (4) 3.0 Gb/s (mini-SAS connectors)
		RAID	RAID 0/1/10/5 (Intel® RST)
Graphic	Connector type	D-Sub 15-pin	
	Chipset	Aspeed AST2300	
Audio	Chipset	-	
	Version	-	
Input /Output	USB	(2) USB3.0 ports (at rear) / (2) USB 2.0 ports (via cable)	
	COM	(1) header	
	Audio	-	
	VGA	(1) D-Sub 15-pin VGA port	
	DVI	-	
	Display Port	-	
	RJ-45	(2) GbE + (1) Dedicated for IPMI	
	SAS	-	
	Front Panel	(1) 2x12-pin SSI front panel header	
	SATA	(4) SATA-II and (2) SATA-III connectors	
System Monitoring	Chipset	Aspeed AST2300	
	Voltage	Monitors v oltage for CPU, memory, chipset & power supply	
	Fan	Total (3) 4-pin headers	
	Temperature	Monitors temperature for CPU & system environment	
Server Management	Onboard Chipset	Onboard Aspeed AST2300	
	AST2300 IPMI Feature	IPMI 2.0 compliant baseboard management controller (BMC) Supports storage over IP and remote platform-flash USB 2.0 virtual hub	

Block Diagram



Server Management	AST2300 iKVM Feature	24-bit high quality video compression 10/100 Mb/s MAC interface
BIOS	Brand / ROM size	AMI / 16MB
	Feature	User-configurable H/W monitoring / Auto-configurable of hard disk types / SMBIOS 2.7/PnP/Wake on LAN / PXE boot support / ACPI 3.0/ACPI sleeping states S3,S4,S5
Form Factor	Form Factor	Mini-ITX
	Board Dimension	6.69" x 6.69" (170 x 170mm)
Operating System	OS supported list	Please refer to our Intel OS supported list.
Regulation	FCC (DoC)	Class A
	CE (DoC)	Yes
Operating Environment	Operating Temp.	10° C ~ 35° C (50° F~ 95° F)
	Non-operating Temp.	- 40° C ~ 70° C (-40° F ~ 158° F)
	In/Non-operating Humidity	90%, non-condensing at 35° C Non-operating Relative Humidity: 10% to 95% (non-condensing)
RoHS	RoHS 6/6 Compliant	Yes

(Specifications are subject to change without notice. Items pictured may only be representative.)

MITAC INTERNATIONAL CORP.

TYAN Business Unit

USA
Tel: +1-510-651-8868
Fax: +1-510-651-7688

Taiwan
Tel: +886-2-2652-5888
Fax: +886-2-2652-5805

Japan
Tel: +81-3-3769-8311
Fax: +81-3-3769-8328

Europe
Sales: +32 2456 1721
Technical Support: +32 2456 1722

China
Shanghai Tel: +86-21-61431188 Ext 1366
China Tel: +86-010-62555015 Ext 8302