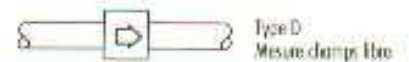
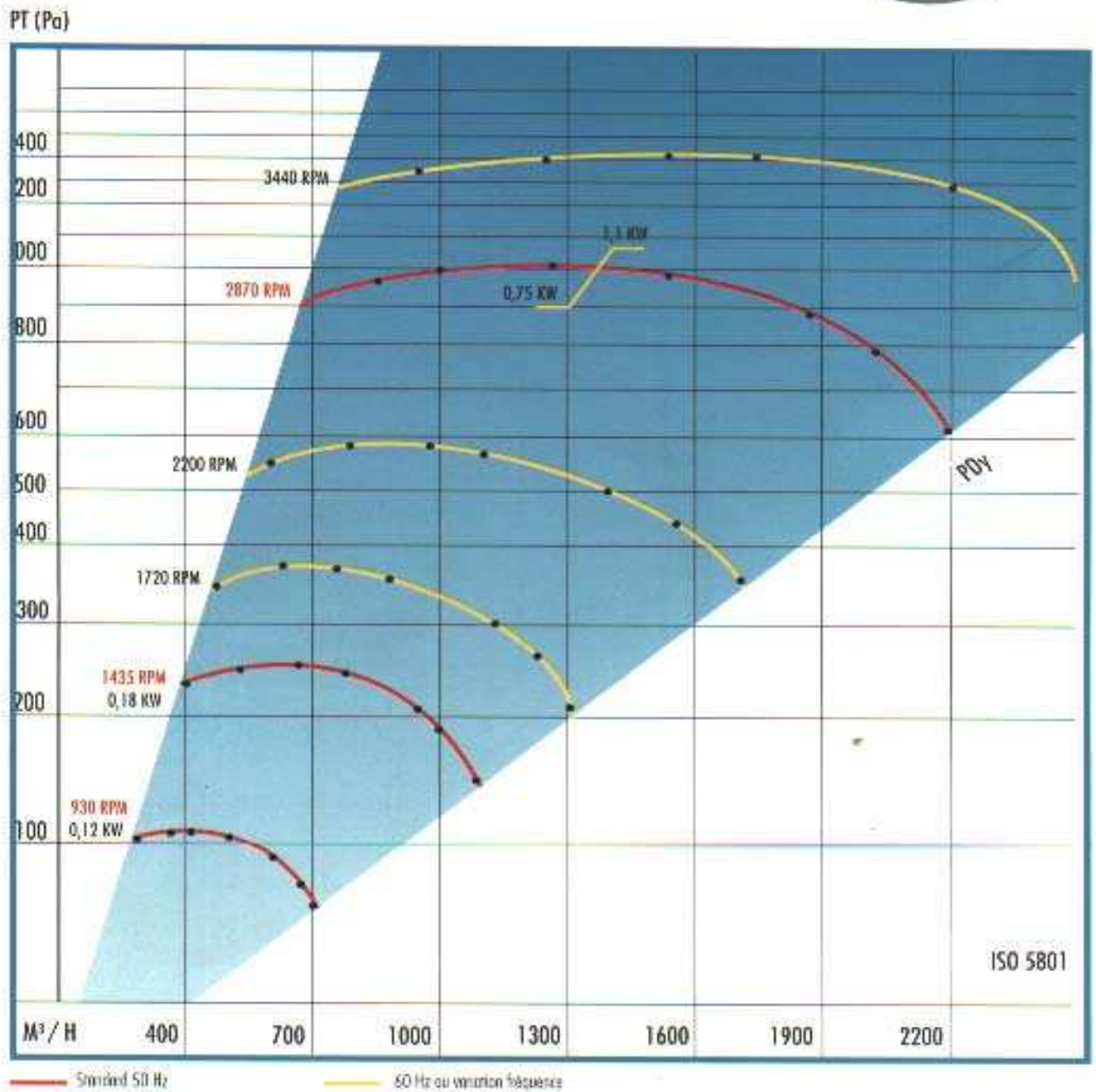


Fume Extraction Fan N20



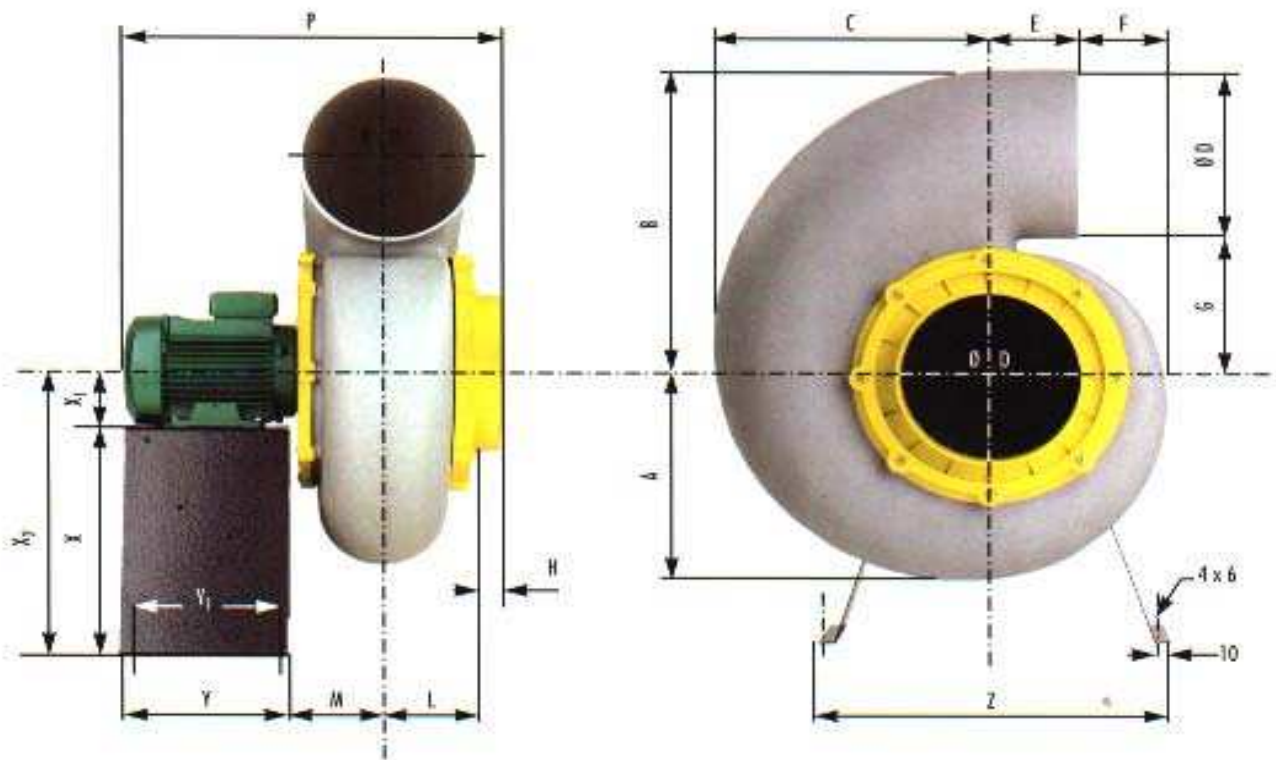
n (T/min) R.P.M.	dB(A)	Hz : dB 10 ⁻¹ W								
		63	125	250	500	1 000	2 000	4 000	8 000	10 000
950	41	36	48	51	48	56	45	37	27	22
1435	51	42	57	60	57	66	54	47	39	36
2870	66	51	71	74	68	85	69	62	56	48



MEGA ELECTRONICS LIMITED
 Mega House, Grip Industrial Estate, Linton, Cambridge, England. CB21 4XN
 Telephone: +44 (0) 1223 893900 Fax: +44 (0) 1223 893894
 email: sales@megauk.com web: www.megauk.com



Fume Extraction Fan N20



DIMENSIONS (mm)

A	B	C	D	E	F	G	H	L	M	P	Y	Y ₁	Z	X	X ₁	63	71	80
208	303	240	160	100	57	143	32	84	94	390	180	160	340	240	X ₂	303	311	320

