

## CD050 analog output – Measurement range 0 up to 1250 mm

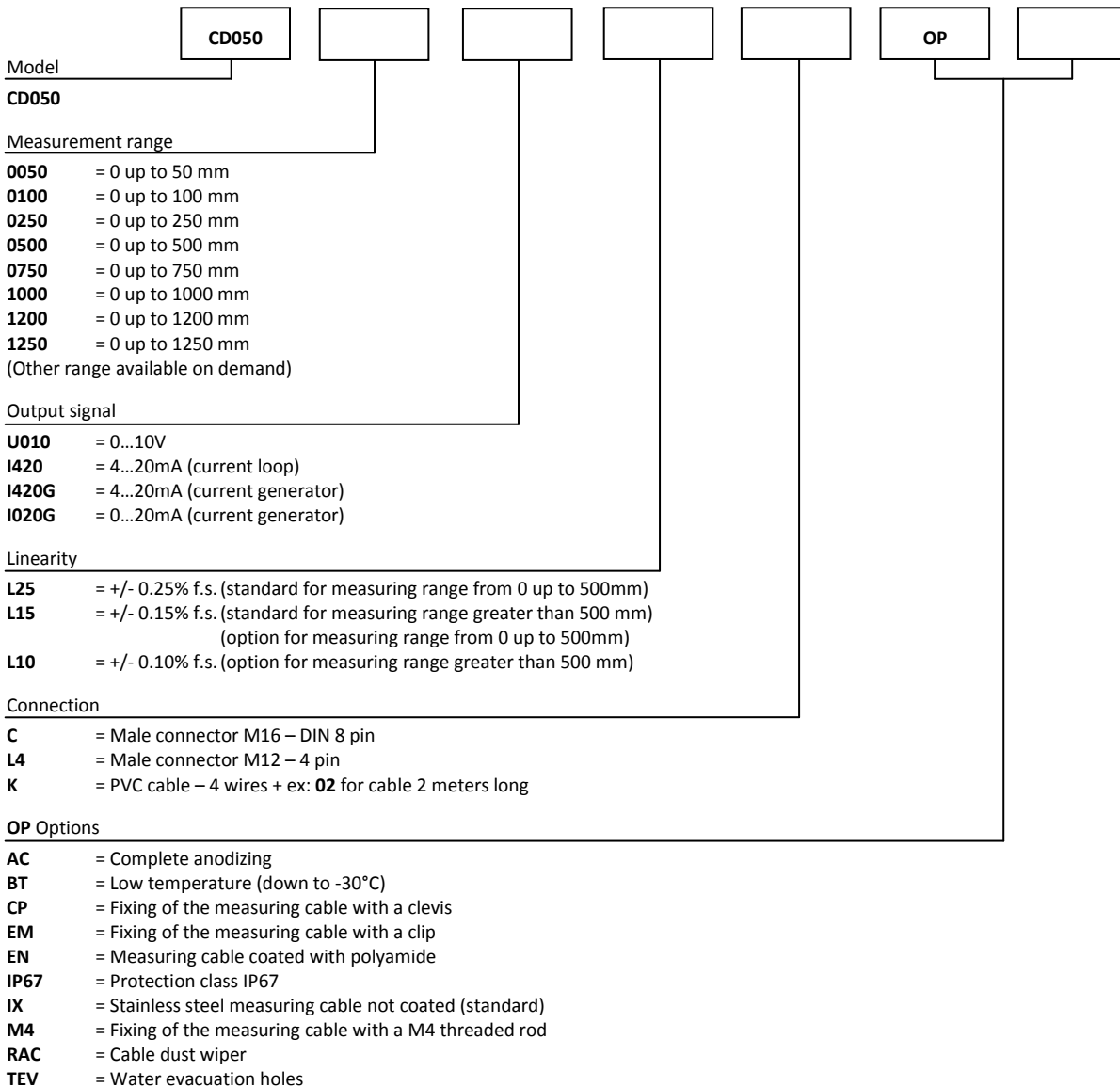
### Specifications:

<b>Measurement range</b>	0 up to 1250 mm
<b>Output signal</b>	0...10V (galvanic isolation) 4...20mA current loop 4...20mA current generator (galvanic isolation) 0...20mA current generator (galvanic isolation)
<b>Resolution</b>	Quasi infinite (depends on the operating system)
<b>Material</b>	Body and cover - aluminium (RoHS) Measuring cable – Stainless steel
<b>Cable diameter</b>	0,51 mm
<b>Detection element</b>	Multi-turn Hybrid potentiometer
<b>Connection</b>	Male connector M16 – DIN 8 pin Male connector M12 – 4 pin PVC cable – 4 wires
<b>Standard linearity</b>	+/- 0,25% f.s. – stroke ≤500mm +/- 0,15% f.s. – stroke >500mm +/- 0,10% f.s. – stroke >500mm (option)
<b>Protection class</b>	IP54 (option IP67)
<b>Max. Velocity</b>	10 M/S
<b>Max. Acceleration</b>	40 M/S <sup>2</sup> (before cable deformation)
<b>Weight</b>	≈ 700 g
<b>Operating temperature</b>	-20° to +80°C
<b>Storage temperature</b>	-30° to +80°C

### Cable forces:

Measurement range in mm	Min. pull-out force	Max. pull-out force
50	≈ 6,40 N	≈ 6,50 N
100	≈ 6,30 N	≈ 6,50 N
250	≈ 6,00 N	≈ 6,50 N
500	≈ 5,50 N	≈ 6,50 N
750	≈ 5,00 N	≈ 6,50 N
1000	≈ 4,50 N	≈ 6,50 N
1200	≈ 4,00 N	≈ 6,50 N
1250	≈ 4,00 N	≈ 6,50 N

### Ordering reference:

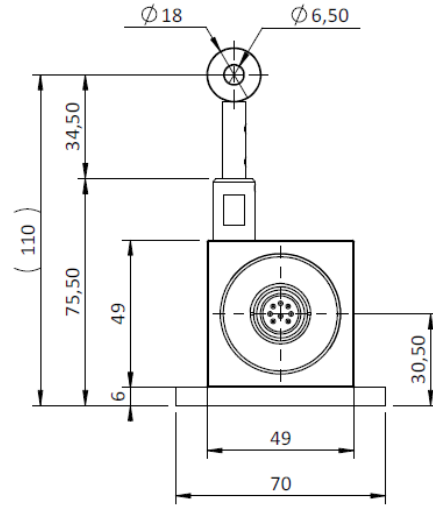
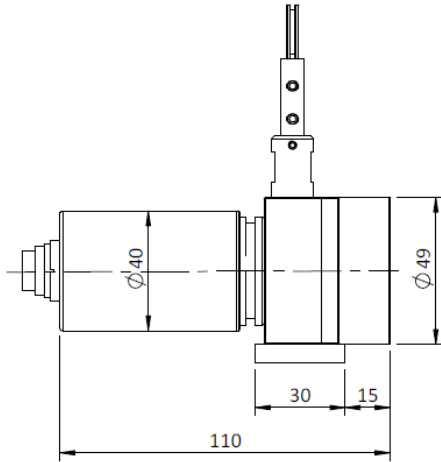


Reference example: CD050-0750-U010-L15-K02-OP-AC-EM

Made in France

## CD050 analog output – Measurement range 0 up to 1250 mm

Dimensions:



K Connection  
(PVC cable - 4 wires)

L4 connection  
(connector M12 - 4 pin)

C connection  
(Connector M16 - DIN 8 pin)

