

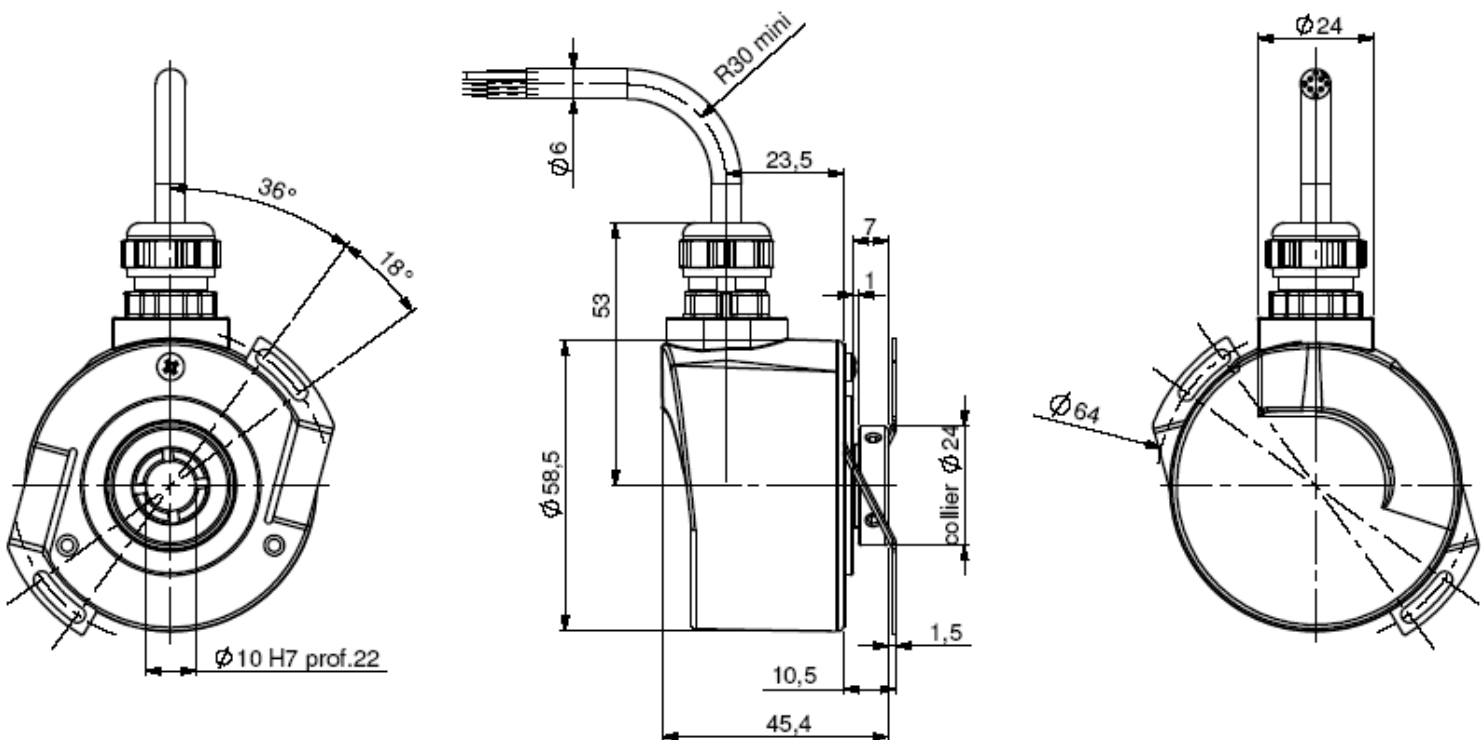
PARALLEL SINGLE TURN ABSOLUTE ENCODER, CHK5 RANGE

The new generation of parallel absolute single turn encoders :

- Blind version up to $\varnothing 15\text{mm}$ (reduction hubs available)
- Robustness and excellent resistance to shocks / vibrations
- High protection level IP65
- High resolutions possibility, up to 15 bits (Gray or binary)
- Universal electronic circuits from 5 to 30 Vdc
- High performances in temperature -20°C to 90°C (option -40°C to 100°C)
- Standard DIRECTION entry, LATCH option



CHK5_10 connection C3R (radial cable), DAC 9445/016* mounted on the body



Minimal shaft depth : 12mm for an optimal centering

* Accessory to be ordered separately

Material	Cover: zinc alloy	Vibrations (EN60068-2-6)	$\leq 100 \text{ m.s}^{-2}$ (55 ... 2 000 Hz)
	Body : aluminium	EMC	EN 50081-1, EN 61000-6-2
	Shaft : stainless steel	Isolation	1 000 V eff
Bearings	6 803 serie	Encoder weight (approx.)	0,300 kg
Maximal loads	Axial: 20 N	Operating temperature	$-20 \dots +90^{\circ}\text{C}$ (encoder ^T)
	Radial: 50 N	Storage temperature	$-40 \dots +100^{\circ}\text{C}$
Shaft inertia	$\leq 2,2 \cdot 10^{-6} \text{ kg.m}^2$	Protection (EN 60529)	IP 65
Torque	$\leq 6 \cdot 10^{-3} \text{ N.m}$	Torque (ring pressure screw)	nominal: 1.5 N.m, break: 2.0 N.m
Permissible max. speed	$9\,000 \text{ min}^{-1}$	Theoretical mechanical life time 10^9 turns ($F_{\text{axial}} / F_{\text{radial}}$)	
Continuous max. speed	$6\,000 \text{ min}^{-1}$	10N / 25N	230
Shocks (EN60068-2-27)	$\leq 500 \text{ m.s}^{-2}$ (during 6 ms)	20N / 50N	29

PARALLEL SINGLE TURN ABSOLUTE ENCODER, CHK5 RANGE

CONNECTION

	color	13 bits + DIRECTION CP or C3	14 bits + DIRECTION C1
1	white WH	0V	0V
2	brown BN	+Vcc	+Vcc
3	green GN	D0	D0
4	yellow YE	D1	D1
5	grey GY	D2	D2
6	pink PK	D3	D3
7	blue BU	D4	D4
8	red RD	D5	D5
9	black BK	D6	D6
10	violet VT	D7	D7
11	white/brown WHBN	D8	D8
12	white/green WHGN	D9	D9
13	white/yellow WHYE	D10	D10
14	white/grey WHGY	D11	D11
15	white/pink WHPK	D12	D12
16	white/blue WHBU	DIRECTION	D13
17	White/red WHRD	/	DIRECTION

Example, 10 bits encoder: only MSB will be supplied (D3 to D12)

ORDERING REFERENCE (Contact the factory for special versions, ex: special flanges, connections, electronic...)

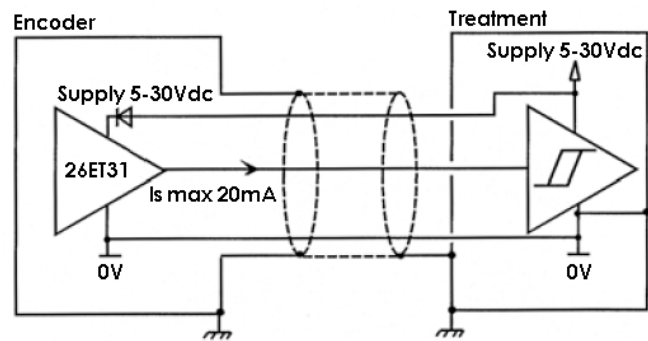
	Shaft Ø	Supply	Output stage	Code	Resolution	Connection	Orientation				
CHK5	14 : 14mm reduction hubs available	P: 5 to 30Vdc	C5 : push pull 5 to 30Vdc	B Binary G: Gray	Power of 2: 1: 1 bit to 14: 14 bits	CP : M23 16 pins 13 bits + direction C1 : M23 17 pins 14 bits + direction	R: radial				
	Max: 15 bits Consult us				C3 : cable gland + 16 wires cable (13 bits) Nota: 14 bits non available	Example : R020 : radial cable 2m					
CHK5	_	10	//	P	C5	G	//	13	//	C3	R020

Monitoring function available in option :

- of the code coherence
- of the LED internal regulated current loop
- of temperature range with 2 limits

Consult us

ELECTRONIC



Power supply : 5 to 30Vdc
Consumption without load : 100mA max
Current output per channel : Is=20mA max
Level "0" (Is=20mA) max : V_{o1} = 0,5Vdc
Level "1" (Is=20mA) min : V_{oh} = Vcc - 2,5Vdc

Protection against short circuits and inversion of polarity

DIRECTION

CW increasing code : DIRECTION pin to +Vcc
CCW increasing code : DIRECTION pin to 0Vdc

LATCH (option)

Active data on the outputs : LATCH pin to 0V
Frozen data on the outputs : LATCH pin to +Vcc

Consult us for the connection of an encoder with this option

Made in FRANCE