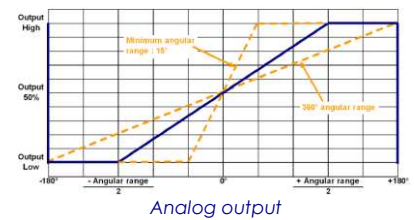
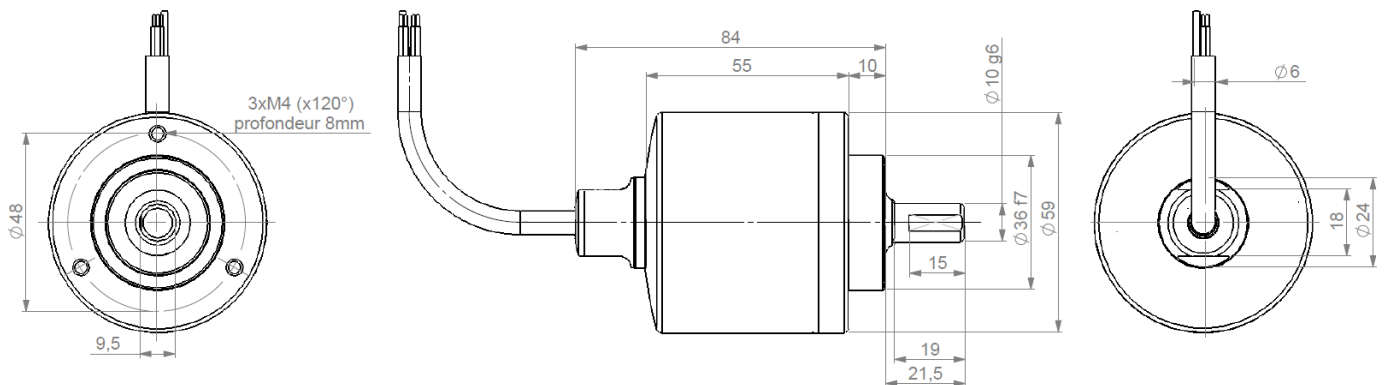


MAGNETIC ANALOG MULTI-TURN ENCODERS, TXM5S – STAINLESS STEEL 316 - IP69K

- Adapted to food and beverage – pharmaceutical – river – offshore applications,
- Stainless steel encoder (316) with hygienic design,
- Flanges and shaft adapted to the market needs,
- Robustness and excellent resistance to shocks / vibrations,
- Double ball bearings with safety lock system,
- Solid shaft version 10mm,
- High protection level IP69K,
- Universal electronic circuits from 10 to 30Vdc,
- Analog output: 0-10Vdc, 4-20mA, 0.5-4.5Vdc, ratio 10...90%,
- High performances in temperature -20°C to +85°C,
- Magnetic technology, contactless,
- Available resolution up to 12 bits per revolution.
- Adapted axial cable gland output,
- Also available : PWM, SSI and CANopen outputs.



TXM5S10 DIMENSIONS



MECHANICAL CHARACTERISTICS

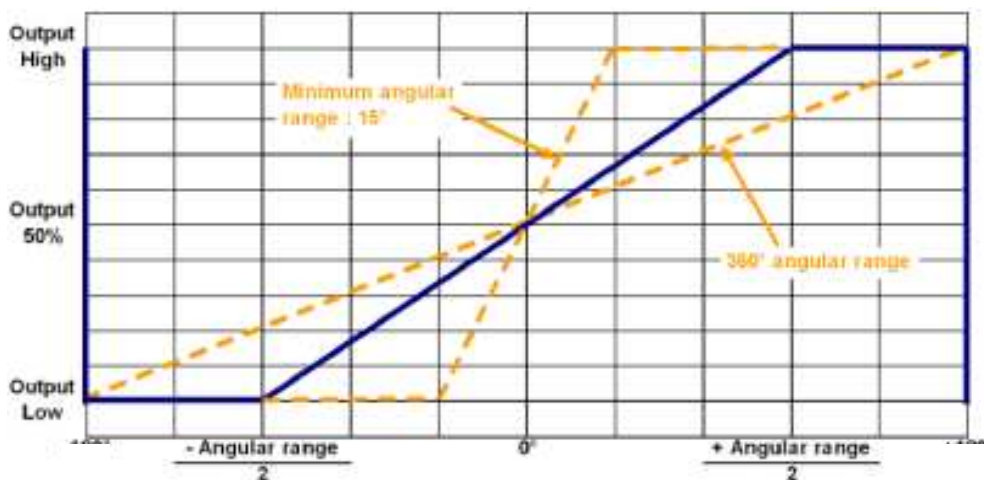
Material	Shaft: Stainless steel 316	Shaft inertia	$\leq 1,2 \cdot 10^{-6} \text{ kg.m}^2$
	Cover: Stainless steel 316	Torque	$\leq 90 \cdot 10^{-3} \text{ N.m}$
	Body: Stainless steel 316	Shock (EN60068-2-27)	$\leq 500 \text{ m.s}^{-2}$ (during 6 ms)
Bearings	Double ball bearings	Vibration (EN60068-2-6)	$\leq 100 \text{ m.s}^{-2}$ (10... 2 000 Hz)
Maximal loads	Axial : 250 N	Encoder weight (approx.)	0,600 kg
	Radial : 500 N	Protection(EN 60529)	IP 69K
Theoretical mechanical lifetime 10^9 turns (F_{axial} / F_{radial}) 50 N / 100 N : 12 250 N / 500 N : 0,5		EMC	EN 61000-6-4, EN 61000-6-2
Permissible max. speed	4 000 min ⁻¹	Isolation	100V (1 min.)
Continuous max. speed	3 000 min ⁻¹	Operating temperature	-20 ... + 85 °C (encoder T°)
		Storage temperature	-20 ... + 85 °C

MAGNETIC ANALOG MULTI-TURN ENCODERS, TXM5S – STAINLESS STEEL 316 - IP69K

ELECTRICAL DATA

Power supply	5V or 10–30Vdc or 15–30Vdc	Introduction	< 1 s
Consumption without load	< 40mA (at 24Vdc)	Response time	< 10 ms (5L2 & 3L1 electronic)
Resolution	12 bits		< 1ms (other electronics)
Accuracy	± 0.3 %	Advised load	>10kOhms (Voltage output)
Repeatability	± 0.1 %		500Ohms (current output)

ANALOG OUTPUT



CONNECTION

	+Vcc	0V	Analog output	Ground
L7	Brown BN	White WH	Green GN	General shielding

ORDERING REFERENCE (Contact the factory for special versions, ex : stainless steel version, connections...)

	Mechanics	Mechanics	Supply Output stage	Direction	Resolution	Connection	Connection orientation
TXM5S : Absolute multi turn encoder	10 : 10mm solid shaft	AA: 316 stainless steel IP69K Hygienic design	3L1 : 15 to 30Vdc 0..10V output 5L2 : 10 to 30Vdc 0.5..4.5V output 3L3 : 15 to 30Vdc 4..20mA output 2LR : 5V +/- 5% Ratio 10...90% voltage supply	1 : CW Clockwise 2 : CCW Counter-clockwise	xxxxx : Calibrated angle in degree Ex : 03600 3600°	L7 : cable output	A020 : Axial cable 2m
Ex: TXM5S	10 /	AA /	3 L1	1 //	03600//	L7	A020

Made in France