



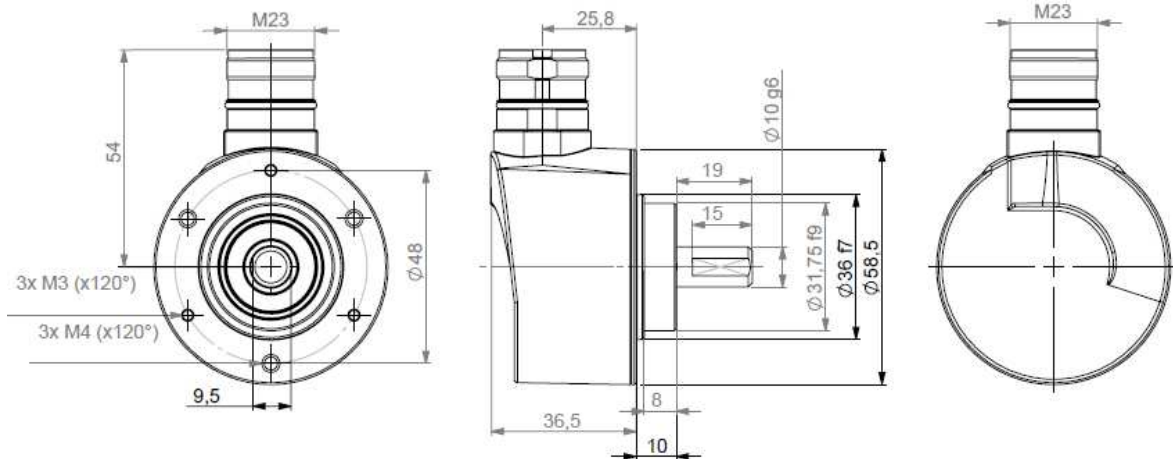
MAGNETIC INCREMENTAL ENCODERS, HHM5 RANGE

Ø58mm european standards magnetic encoders. It characterizes itself by its strong robustness of the mechanical and electro-magnetic parts :

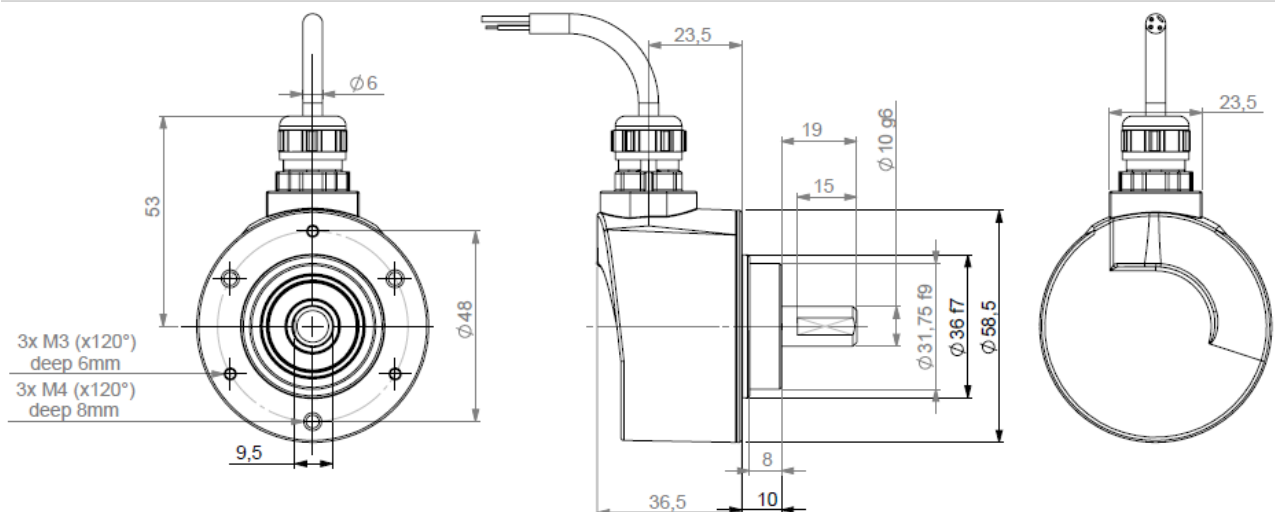
- Application fields : agriculture , construction , forestry vehicles , medical applications , solar panels...
- Magnetic technology , contactless.
- Robustness and excellent resistance to shocks / vibrations.
- High protection level IP65.
- Resolutions available : up to 1024ppr.
- Flanges and shaft adapted to the market needs.
- Universal electronic 5 to 30Vdc available.
- Available in option : Extended temperature range (up to -40..+125°C), IP67/ IP69K..



HHM5_10 with G6Rconnection (radial M23)



HHM5_10 with G3Rconnection (radial cable)



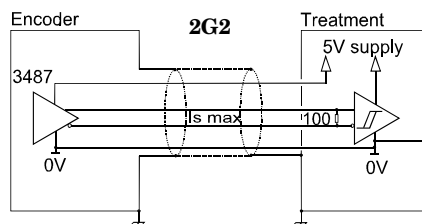
MECHANICAL CHARACTERISTICS

Material	Shaft: Stainless steel	Isolation	500 Veff		
	Cover: Zinc alloy		EMC	EN 61000-6-4	
	Body: aluminium			EN 61000-6-2	
Bearings	6 000 series	Operating temperature	- 40... + 100 °C (at 5 Vdc)		
Maximal loads	Axial: 100 N	Storage temperature	- 40... + 100 °C		
	Radial: 200 N	Protection	IP 65		
Shaft inertia	≤ 0,4.10 ⁻⁶ kg.m ²	Shocks (EN60068-2-27)	≤ 2000m.s ² (during 6 ms)		
Torque	≤ 7.10 ⁻³ N.m	Vibrations (EN60068-2-6)	≤ 200m.s ² (55 ... 2 000 Hz)		
Nominal max. speed	6 000 min ⁻¹	Theoretical mechanical life time (turns) (F _{axial} / F _{radial})			
Encoder weight (approx.)	0,300 kg	50 N / 100 N	25.10 ⁹	100N / 200N	3.10 ⁹



MAGNETIC INCREMENTAL ENCODERS, HHM5 RANGE

OUTPUT ELECTRONIC / POWER SUPPLY



2G2 electronic (100kHz)

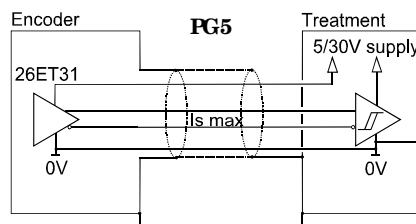
Supply : 5Vdc \pm 10%

Cons. without load : 40mA max

Current per channel : 40mA max

0 max ($I_s=20mA$) : $V_{ol} = 0,5Vdc$

1 min ($I_s=20mA$) : $V_{oh} = 2,5Vdc$



PG5 electronic (100kHz)

Supply : 5 to 30Vdc

Cons. without load : 40mA max

Current per channel : 40mA max

0 max ($I_s=20mA$) : $V_{ol} = 0,5Vdc$

1 min ($I_s=20mA$) : $V_{oh} = V_{cc} - 3Vdc$

Protection against short circuits and inversion of polarity for the electronic PG5

STANDARD CONNECTION

		-	+	A	B	0	A/	B/	0/	Ground
G3	PVC cable, 8 wires 8230/020	WH white	BN brown	GN green	YE yellow	GY grey	PK pink	BU blue	RD red	Main shield
G6	M23 connector	1	2	3	4	5	6	7	8	Connector body
GP	PUR cable 12 wires 8230/050	WH white + WH/GN white/green	BU blue + BN/GN brown/green	GY grey	BN brown	RD red	PK pink	GN green	BK black	General shielding

ORDERING REFERENCE (Contact the factory for special versions, ex: stainless steel version, connections...)

	Shaft \varnothing	Supply Output stage	Signals	Resolution	Connection	Connection orientation
HHM5	06 : Shaft 6mm	2G2 : 5Vdc TTL/ RS422 output	9 : A, A/ B, B/ 0, 0/	1024 max	G3 : PVC cable 8 wires	A020 : axial cable 2m
					GP : PUR cable 12 wires	R020 : radial cable 2m
	10 : Shaft 10mm	PG5 : 5 to 30Vdc Push-pull output (TTL/ RS422 available if encoder supply is 5Vdc)	G6 : M23 connector	A : Axial R : Radial		
Ex: HHM5_	10 //	PG5	9 //	01024 //	G3	A020

Available resolutions : 32 64 128 256 1024

Made in FRANCE