

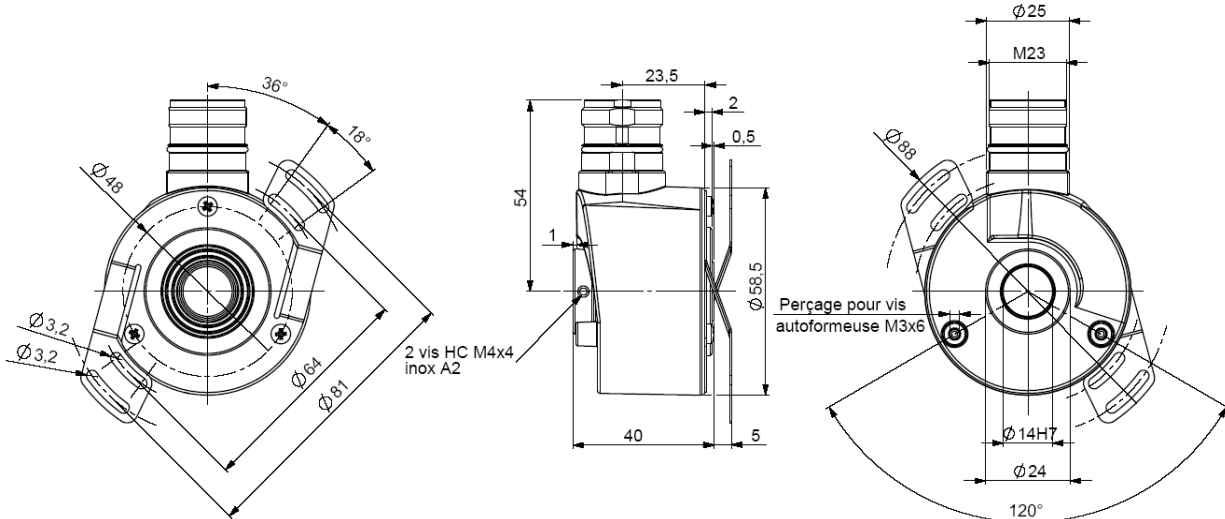
PARALLEL SINGLE TURN ABSOLUTE ENCODER, CHO5 RANGE

CHO5, the new generation of parallel absolute single turn encoders :

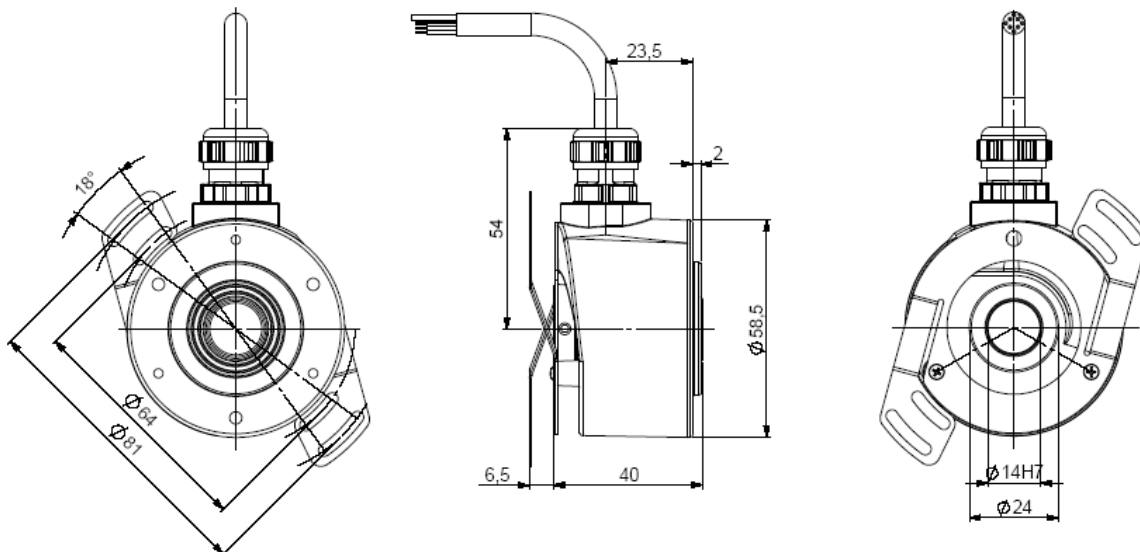
- Through hollow shaft version $\varnothing 14\text{mm}$, with reduction hubs in aluminium of 6, 8, 10 and 12 mm
- Robustness and excellent resistance to shocks / vibrations
- High protection level IP65
- High resolutions possibility, up to 15 bits (Gray or binary)
- Universal electronic circuits from 5 to 30 Vdc
- High performances in temperature -20°C to 90°C (option -40°C to 100°C)
- Standard DIRECTION entry, LATCH option



CHO5_14 connection CPR/ C1R(radial M23), DAC 9445/015* mounted on the body



CHO5_14 connection C3R(radial cable), DAC 9445/015* mounted on the cover



* Accessory to be ordered separately

Material	Cover: zinc alloy
	Body: aluminium
	Shaft: stainless steel
Bearings	6 803 serie
Maximum loads	Axial: 20 N
	Radial: 50 N
Shaft inertia	$\leq 2,2 \cdot 10^{-6} \text{ kg} \cdot \text{m}^2$
Torque	$\leq 6 \cdot 10^{-3} \text{ N} \cdot \text{m}$
Permissible max. speed	$9\,000 \text{ min}^{-1}$
Continuous max. speed	$6\,000 \text{ min}^{-1}$
Shaft seal	Viton

Shocks (EN60068-2-27)	$\leq 500 \text{ m.s}^{-2}$ (during 6 ms)
Vibrations (EN60068-2-6)	$\leq 100 \text{ m.s}^{-2}$ (10 ... 2 000 Hz)
EMC	EN 61000-6-4, EN 61000-6-2
Isolation	1 000 V eff
Encoder weight (approx.)	0,270 kg
Operating temperature	$-20 \dots +90^{\circ}\text{C}$ (Encoder P)
Storage temperature	$-40 \dots +100^{\circ}\text{C}$
Protection (EN 60529)	IP 65
Torque (ring pressure screw)	nominal 1.5 N.m, break 2.0 N.m
Theoretical mechanical life time 10^9 turns (F_{axial} / F_{radial})	
10N / 25N : 230	20N / 50N : 29

PARALLEL SINGLE TURN ABSOLUTE ENCODER, CHO5 RANGE

CONNECTION

	color	13 bits + DIRECTION CP or C3	14 bits + DIRECTION C1
1	white WH	0V	0V
2	brown BN	+Vcc	+Vcc
3	green GN	D0	D0
4	yellow YE	D1	D1
5	grey GY	D2	D2
6	pink PK	D3	D3
7	blue BU	D4	D4
8	red RD	D5	D5
9	black BK	D6	D6
10	violet VT	D7	D7
11	white/brown WHBN	D8	D8
12	white/green WHGN	D9	D9
13	white/yellow WHYE	D10	D10
14	white/grey WHGY	D11	D11
15	white/pink WHPK	D12	D12
16	white/blue WHBU	DIRECTION	D13
17	White/red WHRD	/	DIRECTION

Example, 10 bits encoder: only MSB will be supplied (D3 to D12)

ORDERING REFERENCE (Contact the factory for special versions, ex: special flanges, connections, electronic...)

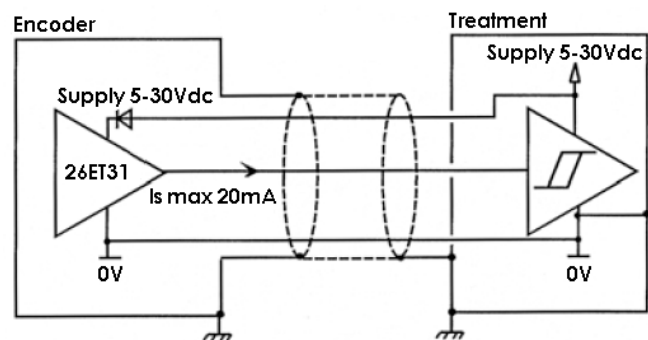
	Shaft Ø	Supply	Output stage	Code	Resolution	Connection	Orientation
CHO5	14 : 14mm Shaft reduction hubs available up to 6mm	P: 5 to 30Vdc	C5 : push pull 5 to 30Vdc	B Binary G: Gray	Power of 2:	CP: M23 16 pins 13 bits + direction	R: radial
					1: 1 bit to 14: 14 bits Max: 15 bits Consult us	C1: M23 17 pins 14 bits + direction	
						C3: cable gland + 16 wires cable	Example : R020: radial cable 2m
CHO5 _ 14 //		P	C5	G //	13 //	C3	R020

Monitoring function available as option :

- of the code coherence
- of the LED internal regulated current loop
- of temperature range with 2 limits

Consult us

ELECTRONIC



Power supply : 5 to 30Vdc
Consumption without load : 100mA max
Current output per channel : Is=20mA max
Level "0" (Is=20mA) max : V_{o1} = 0,5Vdc
Level "1" (Is=20mA) min : V_{oh} = V_{cc} - 2,5Vdc

Protection against short circuits and inversion of polarity

DIRECTION

CW increasing code: DIRECTION pin to +Vcc
CCW increasing code: DIRECTION pin to 0Vdc

LATCH (option)

Active data on the outputs: LATCH pin to 0V
Frozen data on the outputs: LATCH pin to +Vcc

Consult us for the connection of an encoder with this option

Made in FRANCE