

**DMV-30W SERIES, 30WATT, 4:1 INPUT RANGE**
**FEATURES:**

- ✓ 2 year warranty
- ✓ Wide(4:1) input range
- ✓ Six-side shielded metal case
- ✓ Low ripple and noise
- ✓ Over current and short circuit protection
- ✓ Remote on/off
- ✓ Adjustable output voltage



Model	Input voltage (Vdc)	Output voltage (Vdc)	Output current (A)	Efficiency Typ.
DMV30W-1811	18(9~36)	5	6	82%
DMV30W-1812		12	2.5	87%
DMV30W-1813		15	2	87%
DMV30W-1814		24	1.25	87%
DMV30W-1821		±5	±3	82%
DMV30W-1822		±12	±1.25	87%
DMV30W-3611	36(18~72)	5	6	82%
DMV30W-3612		12	2.5	87%
DMV30W-3613		15	2	87%
DMV30W-3614		24	1.25	87%
DMV30W-3621		±5	±3	82%
DMV30W-3622		±12	±1.25	87%

**Notes:**

1. Other input and output models may available on request;
2. Above models are default to metal case.

**ELECTRICAL**

Input voltage range	18V	9-36Vdc
	36V	18-72Vdc
Remote control (Low level remote)	High level or vacant Low level or connect ground	Turn on Turn off
Output voltage accuracy	---	Vo1, Vo2: ±1%, ±3%
Output voltage adjustable	---	±10% max.
Line regulation	Nominal Load, full voltage	Vo1, Vo2: ±0.2%, ±1.5%
Load regulation	20% ~ 100% rated load	Vo1, Vo2: ±0.5%, ±4%
Dynamic response (transient/recovery time)	5%-50%-75% load capability	ΔVo1/Δt: ±4.0%/500μs

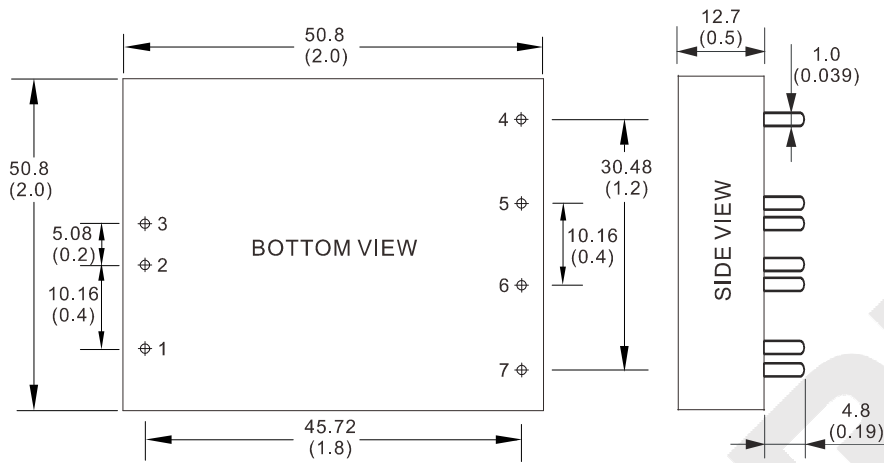
**DMV-30W SERIES, 30WATT, 4:1 INPUT RANGE**
**ELECTRICAL**

Ripple and noise	20MHz BM, full load	Vo≤5.0V, ≤50mVp-p Vo≥48V, ≤180mVp-p Other, ≤100mVp-p
Isolation voltage (<2mA/min)	Input to output Input to case	1500Vdc 500Vdc
Switching frequency	300KHz	330KHz max.
Turn-on delay time	---	≤200ms
Operating temperature range	Free air	-25°C to +55°C
Storage temperature range	---	-45°C to +105°C
Input under voltage protection	When input voltage is lower than the low input voltage	Auto-recovery
Over current protection	---	Auto-recovery
Short circuit protection	---	Continuous auto-recovery
Cooling method	---	Cooling by air convection
Relative humidity	---	10%-90% max.
Weight	---	61.8g
MTBF	Bellcore TR-332, 25°C	2x10 <sup>5</sup> Hrs

**Notes: Unless otherwise specified, all the parameters of the test conditions are as follows: ambient temperature 25°C, the nominal input voltage, pure resistive nominal load.**

DMV-30W SERIES, 30WATT, 4:1 INPUT RANGE

MECHANICAL



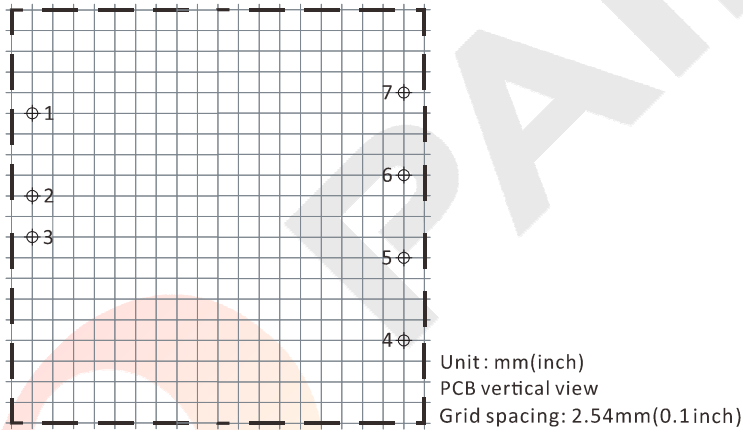
CONNECTION

PIN #	SINGLE	DUAL
1	REM	REM
2	-Vin	-Vin
3	+Vin	+Vin
4	No pin	+Vo1
5	+Vo	COM
6	GND	-Vo2
7	TRIM	TRIM

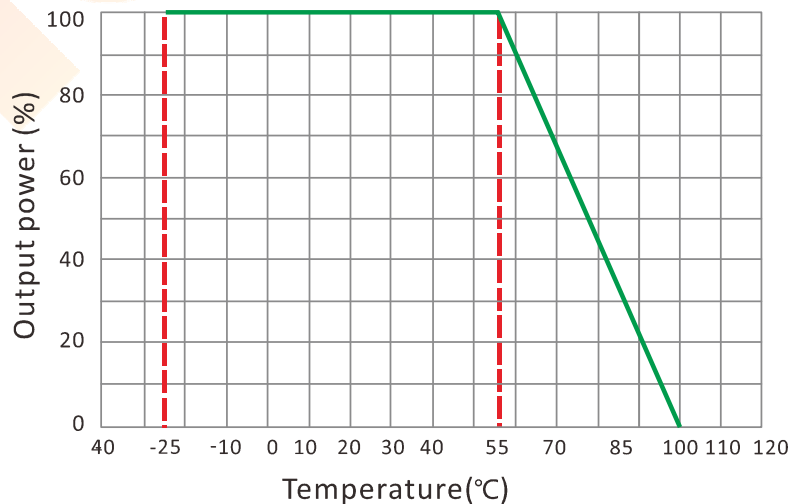
Note:

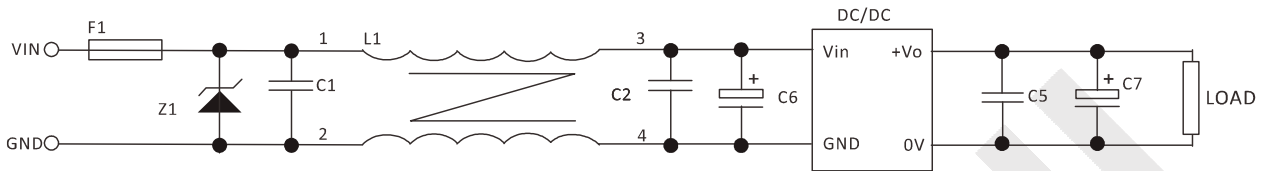
\* Unit is mm(inch).

LAYOUT



TEMPERATURE PROFILE



**DMV-30W SERIES, 30WATT, 4:1 INPUT RANGE**
**NOTES**
**RECOMMENDED TEST AND APPLICATION CIRCUIT**


1. TVS&FUSE be helpful with over voltage protection and inrush limiting. Recommended FUSE better be 1.5~2times of the rated current .
2. The input filter capacitor C6 could select the aluminum electrolytic capacitors or tantalum capacitors, and the withstand voltage should be greater than the highest input voltage. Recommended capacitor should be between 22 $\mu$ F~100 $\mu$ F.
3. C1,C2 for the input filter capacitor,0.1~1 $\mu$ F high-frequency ceramics capacitor or chip capacitor are recommended. The withstand voltage of output filter C5, C7 should be greater than the highest output voltage. Recommended capacitor of C7 better within 100 $\mu$ F and C5 connected with the chip to reduce the input voltage peak, recommended 0.1~1 $\mu$ F high-frequency ceramics capacitor or chip capacitor.