

DNV-5W SERIES, 5WATT, 4:1 INPUT RANGE
FEATURES:

- ✓ 3 years warranty
- ✓ 1500Vdc isolation voltage
- ✓ Metal/Plastic case with low ripple and noise
- ✓ Operating temperature range -40°C to +85°C
- ✓ Short circuit and input under voltage protection



Model	Input voltage (Vdc)	Output voltage (Vdc)	Output current (mA)	Efficiency Typ.
DNV5W-1811	18(9~36)	5	1000	82%
DNV5W-1812		12	410	82%
DNV5W-1813		15	330	82%
DNV5W-1814		24	210	82%
DNV5W-1821		±5	500	82%
DNV5W-1822		±12	205	82%
DNV5W-1823		±15	165	82%
DNV5W-1824		±24	100	82%
DNV5W-3611	36(18~72)	5	1000	82%
DNV5W-3612		12	410	82%
DNV5W-3613		15	330	82%
DNV5W-3614		24	210	82%
DNV5W-3621		±5	500	82%
DNV5W-3622		±12	205	82%
DNV5W-3623		±15	165	82%
DNV5W-3624		±24	100	82%

Notes: other input and output models may available on request.

Above models are default to plastic case, you may request for the models with metal case, plus "M" in the suffix.

ELECTRICAL

Output voltage accuracy	---	Vo1, Vo2 : ±1.0%, ±3.0%
Line regulation	25% Nominal Load, full voltage	Vo1, Vo2 : ±0.2%, ±1.5%
Load regulation	20% ~ 100% rated load	Vo1, Vo2 : ±0.5%, ±4.0%
Dynamic response (transient/recovery time)	5%-50%-75% load capability	$\Delta V_{o1}/\Delta t$: ±4.0%/500 μ s
Ripple and noise	20MHz BM, full load	Vo \leq 5.0V, \leq 50mVp-p Vo \geq 48V, \leq 180mVp-p Other, \leq 50mVp-p
Isolation voltage (<0.5mA/min)	Input to case Input to output	1500Vdc 500Vdc

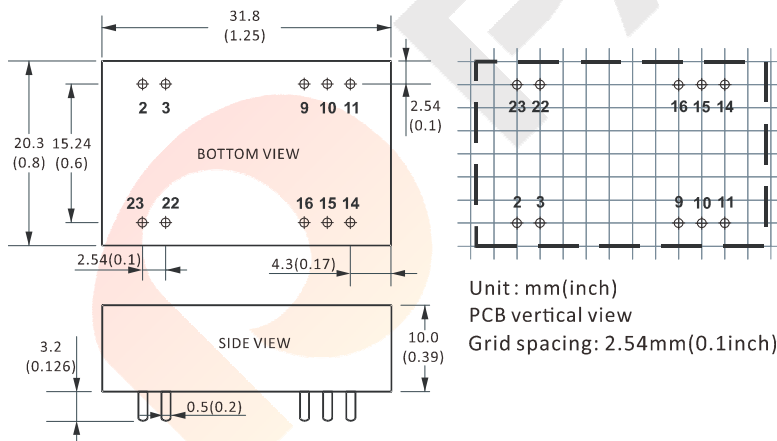
DNV-5W SERIES, 5WATT, 4:1 INPUT RANGE

ELECTRICAL

Turn-on delay time	Typical value	≤200ms
Operating frequency	Typical value	300KHz typ./330KHz max.
Operating temperature range	Auxiliary heat sink	-40°C to +85°C
Storage temperature range	---	-55°C to +125°C
Short circuit protection	---	Auto-recovery
Input under voltage protection	When input voltage is lower than the low terminal input voltage	Auto-recovery
Efficiency	Nominal input, full load	Vo≤5.0V, 80% typ. Vo>5.0V, 82% typ.
Relative humidity	---	10%-90% max.
Packing	---	Hole package
MTBF	Bellcore TR-332, 25°C	2x10 ⁵ Hrs

Notes: Unless otherwise specified, all the parameters of the test conditions are as follows: ambient temperature 25°C, the nominal input voltage, pure resistive nominal load.

MECHANICAL



CONNECTION

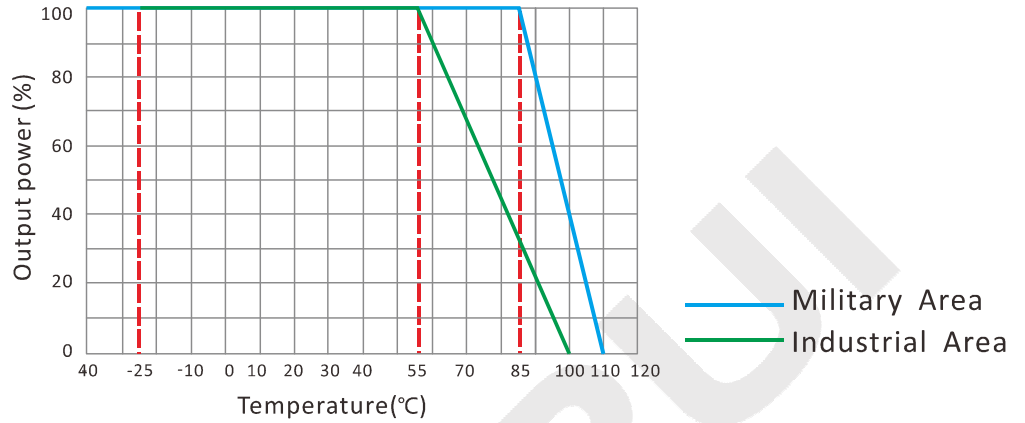
PIN #	SINGLE	DUAL
2	-Vin	-Vin
3	-Vin	-Vin
9	NC	COM
10	No Pin	No Pin
11	NC	-Vo2
14	+Vo	+Vo1
15	No Pin	No Pin
16	GND	COM
22	+Vin	+Vin
23	+Vin	+Vin

Note:

* Unit is mm(inch).

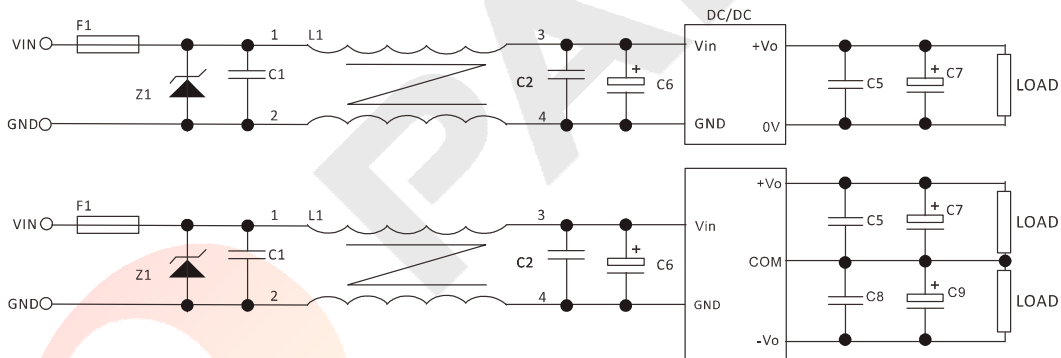
DNV-5W SERIES, 5WATT, 4:1 INPUT RANGE

TEMPERATURE PROFILE



NOTES

RECOMMENDED TEST AND APPLICATION CIRCUIT



FUSE: depends on the actual input current;

TVS: depends on the actual input voltage;

Recommended capacitor: C1,C2,C5,C8, about 0.1uF; C6: 22uF-100uF; C7, C9: 10uF/10mA.