

DNV-5 SERIES, 5WATT, 2:1 INPUT RANGE
FEATURES:

- ✓ 3 years warranty
- ✓ 1500Vdc isolation voltage
- ✓ Metal/Plastic case with low ripple and noise
- ✓ Operating temperature range -40°C to +85°C
- ✓ Short circuit and input under voltage protection



Model	Input voltage (Vdc)	Output voltage (Vdc)	Output current (mA)	Efficiency Typ.
DNV5-1211	12(9~18)	5	1000	82%
DNV5-1212		12	410	82%
DNV5-1213		15	330	82%
DNV5-1214		24	210	82%
DNV5-1221		±5	500	82%
DNV5-1222		±12	205	82%
DNV5-1223		±15	165	82%
DNV5-1224		±24	100	82%
DNV5-2411	24(18~36)	5	1000	82%
DNV5-2412		12	410	82%
DNV5-2413		15	330	82%
DNV5-2414		24	210	82%
DNV5-2421		±5	500	82%
DNV5-2422		±12	205	82%
DNV5-2423		±15	165	82%
DNV5-2424		±24	100	82%
DNV5-4811	48(36~72)	5	1000	82%
DNV5-4812		12	410	82%
DNV5-4813		15	330	82%
DNV5-4814		24	210	82%
DNV5-4821		±5	500	82%
DNV5-4822		±12	205	82%
DNV5-4823		±15	165	82%
DNV5-4824		±24	100	82%

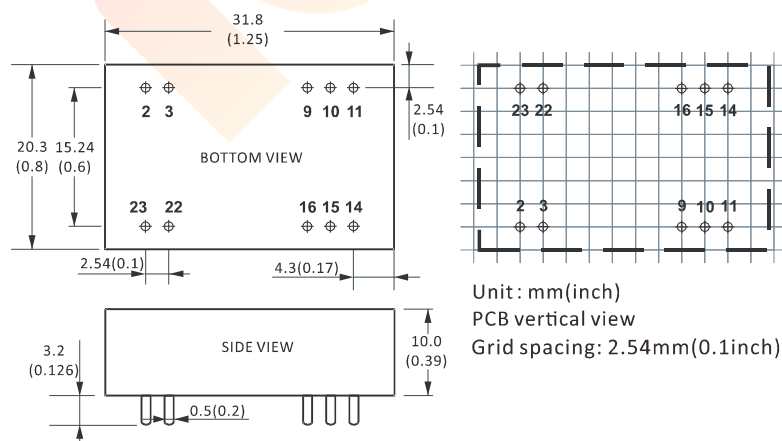
Notes: other input and output models may available on request.

Above models are default to plastic case, you may request for the models with metal case, plus "M" in the suffix.

DNV-5 SERIES, 5WATT, 2:1 INPUT RANGE
ELECTRICAL

Output voltage accuracy	---	Vo1, Vo2 : $\pm 1.0\%$, $\pm 3.0\%$
Line regulation	Nominal Load, full voltage	Vo1, Vo2 : $\pm 0.2\%$, $\pm 1.5\%$
Load regulation	20% ~ 100% full load	Vo1, Vo2 : $\pm 0.5\%$, $\pm 4.0\%$
Dynamic response (transient/recovery time)	5%-50%-75% load capability	$\Delta V_{o1}/\Delta t$: $\pm 4.0\%/500\mu s$
Ripple and noise	20MHz BM, full load	Vo $\leq 5.0V$, $\leq 50mVp-p$ Vo $\geq 48V$, $\leq 180mVp-p$ Other, $\leq 100mVp-p$
Operating frequency	Typical value	300KHz typ./330KHz max.
Turn-on delay time	Typical value	$\leq 200ms$
Isolation voltage ($<0.5mA/min$)	Input to output Input to case	1500Vdc 500Vdc
Efficiency	Nominal input, full load	Vo $\leq 5.0V$, 80% typ. Vo $> 5.0V$, 82% typ.
Operating temperature range	---	-40°C to +85°C
Storage temperature range	---	-55°C to +120°C
Short circuit protection	---	Auto-recovery
Input under voltage protection	When input voltage is lower than the low terminal input voltage	Auto-recovery
Relative humidity	---	10%-90%
MTBF	Bellcore TR-332, 25°C	2×10^5 Hrs

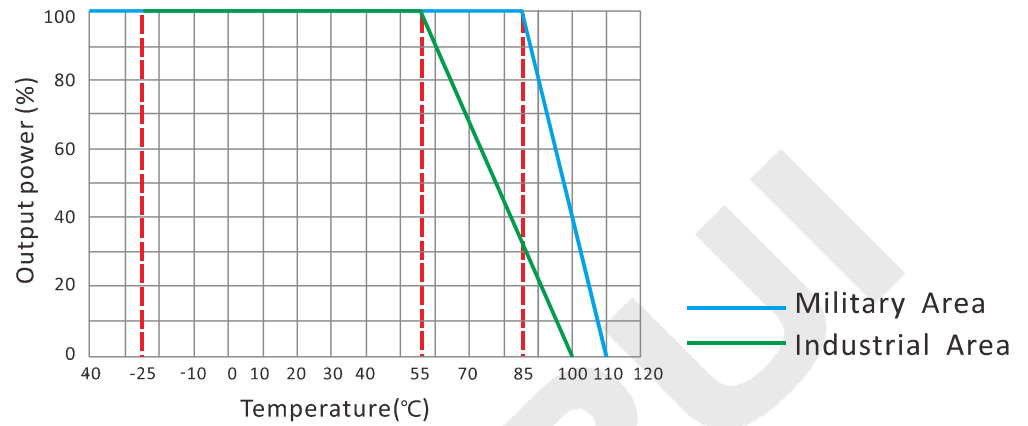
Notes: Unless otherwise specified, all the parameters of the test conditions are as follows: ambient temperature 25°C, the nominal input voltage, pure resistive nominal load.

MECHANICAL

CONNECTION

PIN #	SINGLE	DUAL
2	-Vin	-Vin
3	-Vin	-Vin
9	NC	COM
10	No Pin	No Pin
11	NC	-Vo2
14	+Vo	+Vo1
15	No Pin	No Pin
16	GND	COM
22	+Vin	+Vin
23	+Vin	+Vin

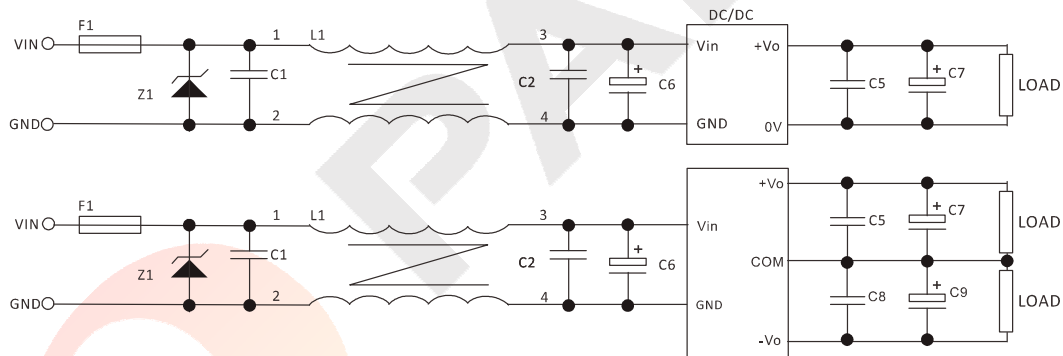
DNV-5 SERIES, 5WATT, 2:1 INPUT RANGE

TEMPERATURE PROFILE



NOTES

RECOMMENDED TEST AND APPLICATION CIRCUIT



FUSE: depends on the actual input current;

TVS: depends on the actual input voltage;

Recommended capacitor: C1,C2,C5,C8, about 0.1uF; C6: 22uF-100uF; C7, C9: 10uF/10mA.