

DNV-3 SERIES, 3WATT, 2:1 INPUT RANGE
FEATURES:

- ✓ 3 years warranty
- ✓ 1500Vdc isolation voltage
- ✓ Metal/Plastic case with low ripple and noise
- ✓ Operating temperature range -40°C to +85°C
- ✓ Short circuit and input under voltage protection



Model	Input voltage (Vdc)	Output voltage (Vdc)	Output current (mA)	Efficiency Typ.
DNV3-0511	5(4.5~9)	5	600	82%
DNV3-0512		12	250	82%
DNV3-0513		24	125	82%
DNV3-0521		±5	300	82%
DNV3-0522		±12	125	82%
DNV3-0523		±15	100	82%
DNV3-0524		±24	60	82%
DNV3-1211	12(9~18)	5	600	82%
DNV3-1212		12	250	82%
DNV3-1213		24	125	82%
DNV3-1221		±5	300	82%
DNV3-1222		±12	125	82%
DNV3-1223		±15	100	82%
DNV3-1224		±24	60	82%
DNV3-2411	24(18~36)	5	600	82%
DNV3-2412		12	250	82%
DNV3-2413		24	125	82%
DNV3-2421		±5	300	82%
DNV3-2422		±12	125	82%
DNV3-2423		±15	100	82%
DNV3-2424		±24	60	82%
DNV3-4811	48(36~72)	5	600	82%
DNV3-4812		12	250	82%
DNV3-4813		24	125	82%
DNV3-4821		±5	300	82%
DNV3-4822		±12	125	82%
DNV3-4823		±15	100	82%
DNV3-4824		±24	60	82%

DNV-3 SERIES, 3WATT, 2:1 INPUT RANGE

Notes: other input and output models may available on request.

Above models are default to plastic case, you may request for the models with metal case, plus "M" in the suffix.

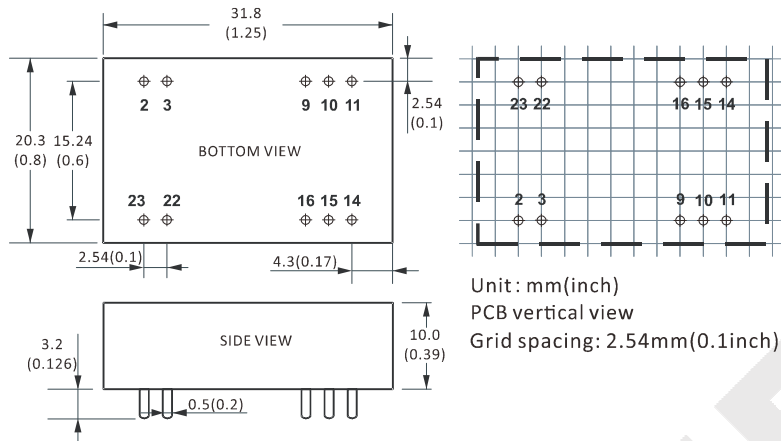
ELECTRICAL

Output voltage accuracy	---	Vo1, Vo2 : $\pm 1.0\%$, $\pm 3.0\%$
Line regulation	Nominal Load, full voltage	Vo1, Vo2 : $\pm 0.2\%$, $\pm 1.5\%$
Load regulation	20% ~ 100% full load	Vo1, Vo2 : $\pm 0.5\%$, $\pm 4.0\%$
Dynamic response (transient/recovery time)	5%-50%-75% load capability	$\Delta V_{o1}/\Delta t$: $\pm 4.0\%/500\mu s$
Ripple and noise	20MHz BM, full load	Vo \leq 5.0V, $\leq 50mVp-p$ Vo \geq 48V, $\leq 180mVp-p$ Other, $\leq 100mVp-p$
Operating frequency	Typical value	300KHz typ./330KHz max.
Turn-on delay time	Typical value	$\leq 200ms$
Isolation voltage ($<0.5mA/min$)	Input to output Input to case	1500Vdc 500Vdc
Efficiency	Nominal input, full load	Vo \leq 5.0V, 80% typ. Vo $>$ 5.0V, 82% typ.
Operating temperature range	---	-40°C to +85°C
Storage temperature range	---	-55°C to +120°C
Short circuit protection	---	Auto-recovery
Input under voltage protection	When input voltage is lower than the low terminal input voltage	Auto-recovery
Relative humidity	---	10%-90%
MTBF	Bellcore TR-332, 25°C	2×10^5 Hrs

Notes: Unless otherwise specified, all the parameters of the test conditions are as follows: ambient temperature 25°C, the nominal input voltage, pure resistive nominal load.

DNV-3 SERIES, 3WATT, 2:1 INPUT RANGE

MECHANICAL



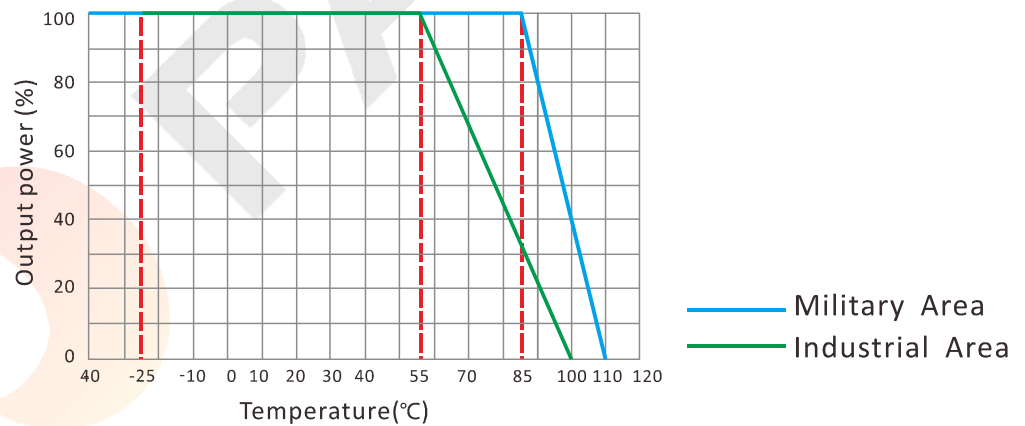
CONNECTION

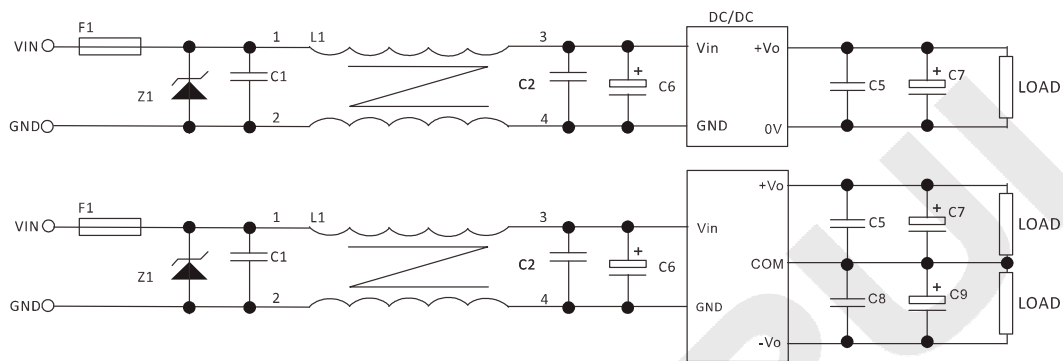
PIN #	SINGLE	DUAL
2	-Vin	-Vin
3	-Vin	-Vin
9	NC	COM
10	No Pin	No Pin
11	NC	-Vo2
14	+Vo	+Vo1
15	No Pin	No Pin
16	GND	COM
22	+Vin	+Vin
23	+Vin	+Vin

Note:

* Unit is mm(inch).

TEMPERATURE PROFILE



DNV-3 SERIES, 3WATT, 2:1 INPUT RANGE
NOTES
RECOMMENDED TEST AND APPLICATION CIRCUIT


FUSE: depends on the actual input current;

TVS: depends on the actual input voltage;

Recommended capacitor: C1,C2,C5,C8, about 0.1uF; C6: 22uF-100uF; C7, C9: 10uF/10mA.