

DMV-3 SERIES, 3WATT, 2:1 INPUT RANGE

FEATURES:

- ✓ 3 years warranty
- ✓ 1500Vdc isolation voltage
- ✓ Metal case with low ripple and noise
- ✓ Operating temperature range -40°C to +85°C
- ✓ Short circuit and input under voltage protection



Model	Input voltage (Vdc)	Output voltage (Vdc)	Output current (mA)	Efficiency Typ.
DMV3-0511	5(4.5~9)	3.3	600	82%
DMV3-0512		5	600	82%
DMV3-0513		9	330	82%
DMV3-0514		12	250	82%
DMV3-0515		15	200	82%
DMV3-0516		24	125	82%
DMV3-0521		±3.3	300	82%
DMV3-0522		±5	300	82%
DMV3-0523		±9	165	82%
DMV3-0524		±12	125	82%
DMV3-0525		±15	100	82%
DMV3-0526		±24	60	82%
DMV3-1211	12(9~18)	3.3	600	82%
DMV3-1212		5	600	82%
DMV3-1213		9	330	82%
DMV3-1214		12	250	82%
DMV3-1215		15	200	82%
DMV3-1216		24	125	82%
DMV3-1221		±3.3	300	82%
DMV3-1222		±5	300	82%
DMV3-1223		±9	165	82%
DMV3-1224		±12	125	82%
DMV3-1225		±15	100	82%
DMV3-1226		±24	60	82%
DMV3-2411	24(18~36)	3.3	600	82%
DMV3-2412		5	600	82%
DMV3-2413		9	330	82%
DMV3-2414		12	250	82%
DMV3-2415		15	200	82%

**DMV-3 SERIES, 3WATT, 2:1 INPUT RANGE**

Model	Input voltage (Vdc)	Output voltage (Vdc)	Output Current (mA)	Efficiency Typ.
DMV3-2416	24(18~36)	24	125	82%
DMV3-2421		±3.3	300	82%
DMV3-2422		±5	300	82%
DMV3-2423		±9	165	82%
DMV3-2424		±12	125	82%
DMV3-2425		±15	100	82%
DMV3-2426		±24	60	82%
DMV3-4811	48(36~72)	3.3	600	82%
DMV3-4812		5	600	82%
DMV3-4813		9	330	82%
DMV3-4814		12	250	82%
DMV3-4815		15	200	82%
DMV3-4816		24	125	82%
DMV3-4821		±3.3	300	82%
DMV3-4822		±5	300	82%
DMV3-4823		±9	165	82%
DMV3-4824		±12	125	82%
DMV3-4825		±15	100	82%
DMV3-4826		±24	60	82%
DMV3-11011		110(72~144)	3.3	600
DMV3-11012	5		600	82%
DMV3-11013	9		330	82%
DMV3-11014	12		250	82%
DMV3-11015	15		200	82%
DMV3-11016	24		125	82%
DMV3-11021	±3.3		300	82%
DMV3-11022	±5		300	82%
DMV3-11023	±9		165	82%
DMV3-11024	±12		125	82%
DMV3-11025	±15	100	82%	
DMV3-11026	±24	60	82%	

Notes: other input and output models may available on request.

**ELECTRICAL**

Output voltage accuracy	---	Vo1, Vo2 : ±1.0%, ±3.0%
Line regulation	Nominal Load, full voltage	Vo1, Vo2 : ±0.2%, ±1.5%
Load regulation	20% ~ 100% full load	Vo1, Vo2 : ±0.5%, ±4.0%

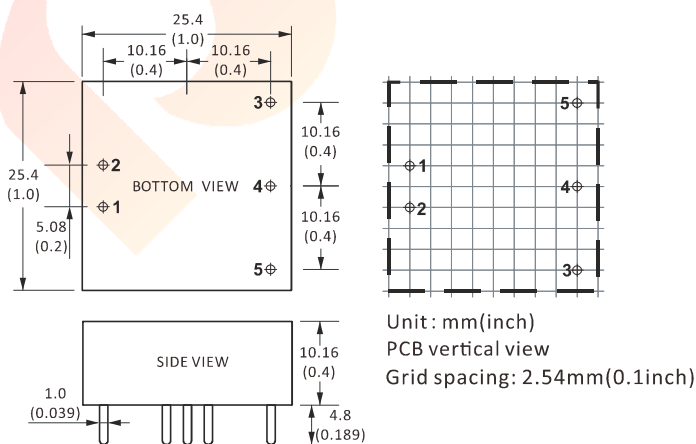
DMV-3 SERIES, 3WATT, 2:1 INPUT RANGE

**ELECTRICAL**

Dynamic response (transient/recovery time)	5%-50%-75% load capability	$\Delta V_{o1}/\Delta t$ : 4.0%/500 $\mu$ s
Ripple and noise	20MHz BM, full load	$V_o \leq 5.0V$ , $\leq 50mVp-p$ $V_o \geq 48V$ , $\leq 180mVp-p$ Other, $\leq 100mVp-p$
Operating frequency	Typical value	300KHz typ./330KHz max.
Turn-on delay time	Typical value	$\leq 200ms$
Isolation voltage ( $<0.5mA/min$ )	Input to output	1500Vdc
	Input to case	500Vdc
Efficiency	Nominal input, full load	$V_o \leq 5.0V$ , 80% typ.
		$V_o > 5.0V$ , 82% typ.
Operating temperature range	---	-40°C to +85°C
Storage temperature range	---	-55°C to +120°C
Short circuit protection	---	Auto-recovery
Input under voltage protection	When input voltage is lower than the low terminal input voltage	Auto-recovery
Relative humidity	---	10%-90%
MTBF	---	$2 \times 10^5$ Hrs

**Notes: Unless otherwise specified, all the parameters of the test conditions are as follows: ambient temperature 25°C, the nominal input voltage, pure resistive nominal load.**

**MECHANICAL**



**CONNECTION**

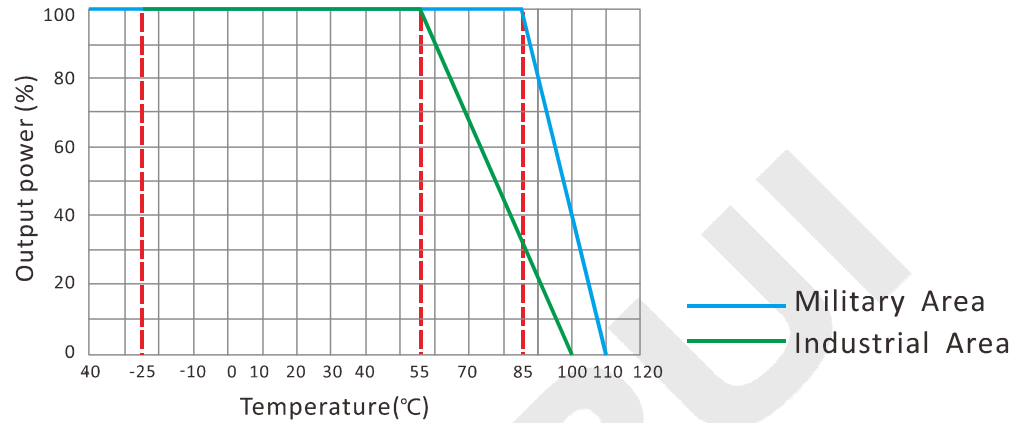
PIN #	SINGLE	DUAL
1	-Vin	-Vin
2	+Vin	+Vin
3	+Vo	+Vo1
4	No Pin	COM
5	GND	-Vo2

Note:

\* Unit is mm(inch).

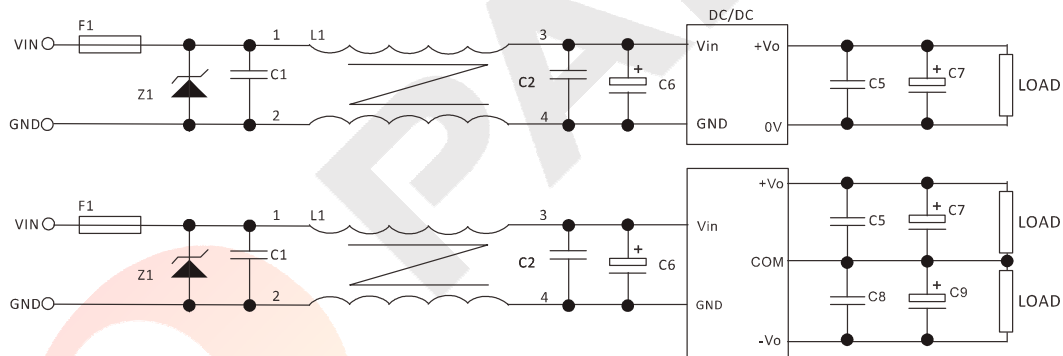
DMV-3 SERIES, 3WATT, 2:1 INPUT RANGE

TEMPERATURE PROFILE



NOTES

RECOMMENDED TEST AND APPLICATION CIRCUIT



FUSE: depends on the actual input current;

TVS: depends on the actual input voltage;

Recommended capacitor: C1,C2,C5,C8, about 0.1uF; C6: 22uF-100uF; C7, C9: 10uF/10mA.