

DAV-2 SERIES, 2WATT, REGULATED WITH 2:1 INPUT RANGE

FEATURES:

- ✓ 3 years warranty
- ✓ 1500Vdc isolation voltage
- ✓ Wide (2:1) input voltage range
- ✓ Regulated single and dual output models
- ✓ Operating temperature range -40°C to +85°C
- ✓ Continuous short circuit protection



Model	Input voltage (Vdc)	Output voltage (Vdc)	Output current (mA)		Efficiency Typ.
			Min.	Max.	
DAV2-0511	5(4.5~9)	5	30	400	80%
DAV2-0512		9	22	220	80%
DAV2-0513		12	16.6	166	80%
DAV2-0514		15	13.6	136	80%
DAV2-0515		24	8.4	84	80%
DAV2-0521		±5	20	200	80%
DAV2-0522		±9	11	110	80%
DAV2-0523		±12	8	80	80%
DAV2-0524		±15	6.6	66	80%
DAV2-0525		±24	4.2	42	80%
DAV2-1211	12(9~18)	5	30	400	80%
DAV2-1212		9	22	220	80%
DAV2-1213		12	16.6	166	80%
DAV2-1214		15	13.6	136	80%
DAV2-1215		24	8.4	84	80%
DAV2-1221		±5	20	200	80%
DAV2-1222		±9	11	110	80%
DAV2-1223		±12	8	80	80%
DAV2-1224		±15	6.6	66	80%
DAV2-1225		±24	4.2	42	80%
DAV2-2411	24(18~36)	5	30	400	80%
DAV2-2412		9	22	220	80%
DAV2-2413		12	16.6	166	80%
DAV2-2414		15	13.6	136	80%
DAV2-2415		24	8.4	84	80%
DAV2-2421		±5	20	200	80%
DAV2-2422		±9	11	110	80%

DAV-2 SERIES, 2WATT, REGULATED WITH 2:1 INPUT RANGE

Model	Input voltage (Vdc)	Output voltage (Vdc)	Output Current (mA)		Efficiency Typ.
			Min.	Max.	
DAV2-2423	24(18~36)	±12	8	80	80%
DAV2-2424		±15	6.6	66	80%
DAV2-2425		±24	4.2	42	80%

Notes: other input and output models may available on request.

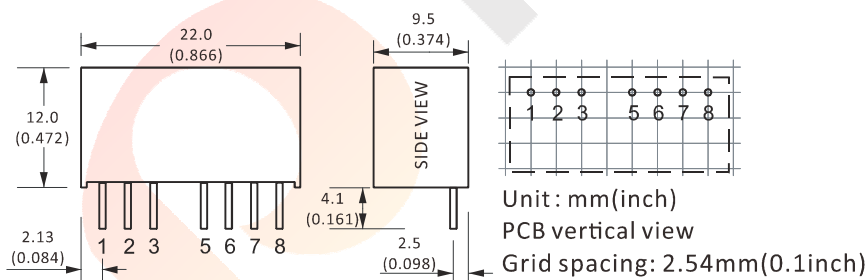
ELECTRICAL

Line regulation	---	±0.2%
Load regulation	10% ~ 100% full load	±0.5%
Ripple and noise	---	100mVp-p max.
Isolation voltage	---	1500Vdc
Short circuit protection	---	Continuous short circuit protection
Operating temperature range	---	-40°C to +85°C
MTBF	---	1x10 ⁶ Hrs

Notes: All the data in this article are under test with "TA+25°C, humidity<75%, rated input and rated load" mode.

MECHANICAL

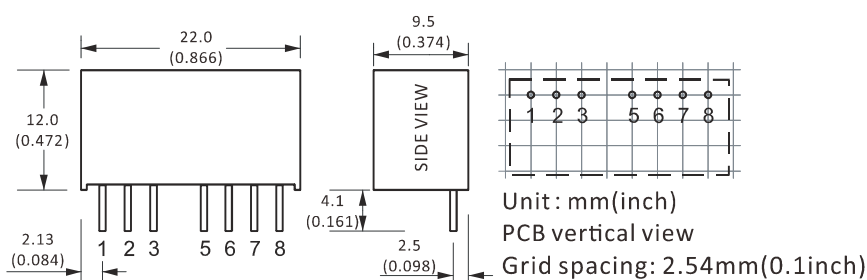
Single output



CONNECTION

PIN #	SINGLE	DUAL
1	GND	GND
2	+Vin	+Vin
3	CTRL	CTRL
5	NC	NC
6	+Vo	+Vo
7	-Vo	COM
8	CS	-Vo

Dual output

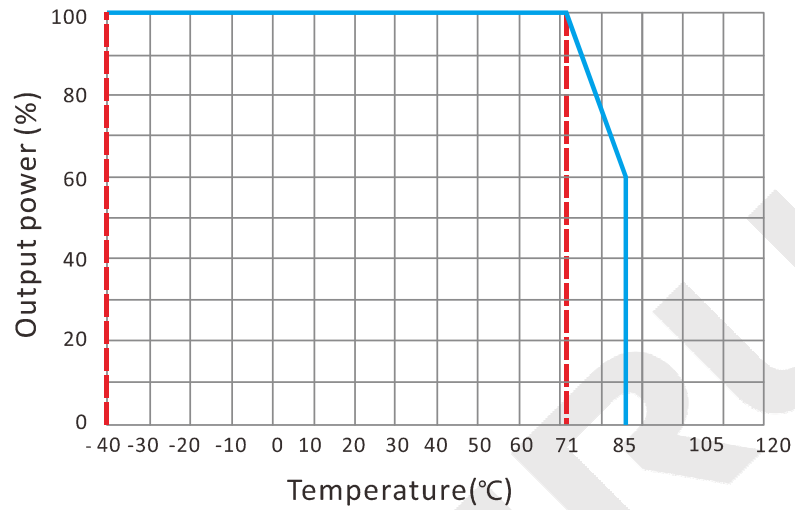


Note:

* Unit is mm(inch).

DAV-2 SERIES, 2WATT, REGULATED WITH 2:1 INPUT RANGE

TEMPERATURE PROFILE



CAPACITIVE LOADS SELECTION

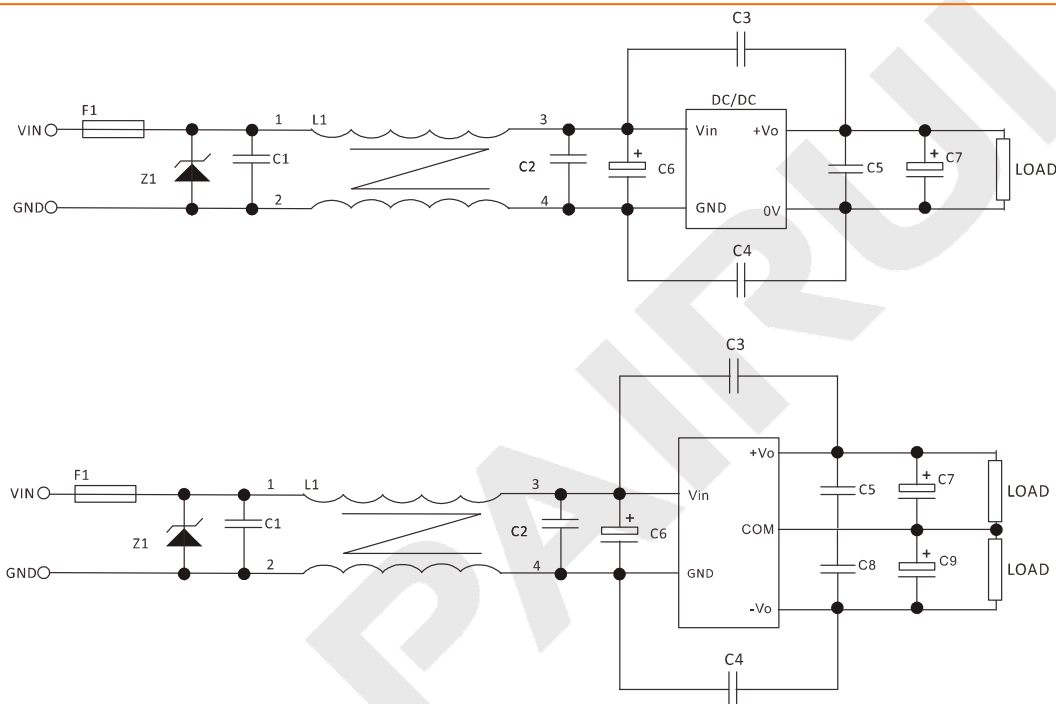
Vin (Vdc)	Cin (µF)	Single Output Voltage (Vdc)	Cout (µF)	Dual Output Voltage (Vdc)	Cout (µF)
5	4.7-100	5	560	±5	270
12	4.7-100	9	470	±9	220
24	4.7-100	12	470	±12	220
-	-	15/24	330	±15/±24	150/100

DAV-2 SERIES, 2WATT, REGULATED WITH 2:1 INPUT RANGE

NOTES

RECOMMENDED TEST AND APPLICATION CIRCUIT

In order to ensure the efficiency and dependability of the module, the minimum specified load must be less than 10% of rated load. If the output power is low, we recommend to add an external 10% loading resistor in parallel.



FUSE: depends on the actual input current;

TVS: depends on the actual input voltage;

Recommended capacitor: C1, C2, C5, C8, about 0.1uF; for C6, C7, C9, please check the capacitive load; C3, C4: 2KV/1nF.