

DAR-1F SERIES, 1WATT, 3KVDC, REGULATED
FEATURES:

- ✓ 3 years warranty
- ✓ 3000Vdc isolation voltage
- ✓ Fully regulated with low ripple and noise
- ✓ Operating temperature range -40°C to +85°C
- ✓ Continuous short circuit protection



Model	Input voltage (Vdc)	Output voltage (Vdc)	Output current (mA)		Efficiency Typ.
			Min.	Max.	
DAR1-0511F	5(4.75~5.25)	5	20	200	72%
DAR1-0512F		9	11	110	72%
DAR1-0513F		12	8.3	83	72%
DAR1-0514F		15	6.8	68	72%
DAR1-0515F		24	4.2	42	72%
DAR1-1211F	12(11.4~12.6)	5	20	200	72%
DAR1-1212F		9	11	110	72%
DAR1-1213F		12	8.3	83	72%
DAR1-1214F		15	6.8	68	72%
DAR1-1215F		24	4.2	42	72%
DAR1-2411F	24(22.8~25.2)	5	20	200	72%
DAR1-2412F		9	11	110	72%
DAR1-2413F		12	8.3	83	72%
DAR1-2414F		15	6.8	68	72%
DAR1-2415F		24	4.2	42	72%

Notes: other input and output models may available on request.

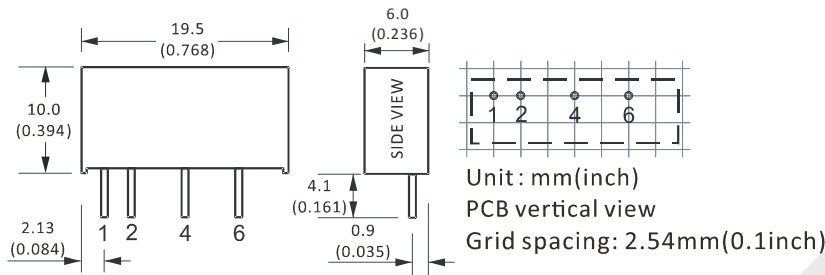
ELECTRICAL

Line regulation	---	±0.25%
Load regulation	10% ~ 100% full load	±1%
Ripple and noise	---	100mVp-p max.
Isolation voltage	---	3000Vdc
Short circuit protection	---	Continuous short circuit protection
Operating temperature range	---	-40°C to +85°C
MTBF	---	3.5x10 ⁶ Hrs

Notes: All the data in this article are under test with "TA+25°C, humidity<75%, rated input and rated load" mode.

DAR-1F SERIES, 1WATT, 3KVDC, REGULATED

MECHANICAL



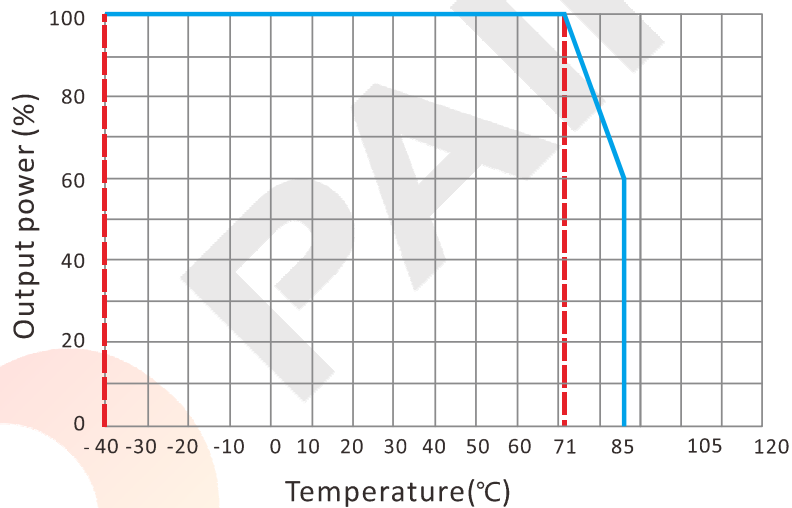
CONNECTION

PIN #	SINGLE
1	+Vin
2	GND
4	-Vo
6	+Vo

Note:

* Unit is mm(inch).

TEMPERATURE PROFILE



CAPACITIVE LOADS SELECTION

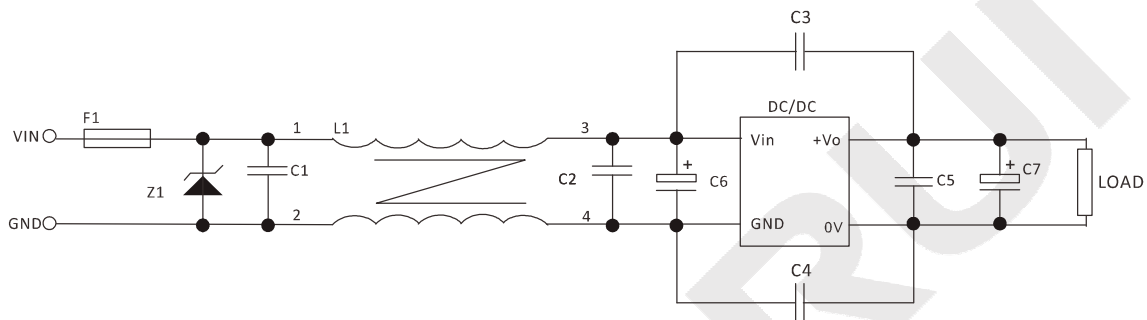
Vin (Vdc)	Cin (μF)	Single Output Voltage (Vdc)	Cout (μF)	Dual Output Voltage (Vdc)	Cout (μF)
5	4.7	5	10	±5	4.7
12	2.2	9	4.7	±9	2.2
24	1	12	2.2	±12	1
-	-	15/24	1	±15	0.47

DAR-1F SERIES, 1WATT, 3KVDC, REGULATED

NOTES

RECOMMENDED TEST AND APPLICATION CIRCUIT

In order to ensure the efficiency and dependability of the module, the minimum specified load must be less than 10% of rated load. If the output power is low, we recommend to add an external 10% loading resistor in parallel.



FUSE: depends on the actual input current;

TVS: depends on the actual input voltage;

Recommended capacitor: C1, C2, C5, about 0.1 μ F; for C6, C7, please check the capacitive load; C3, C4: 2KV/1nF.