

DAE-1H SERIES, 1WATT, 6KVDC, UNREGULATED

FEATURES:

- ✓ 3 years warranty
- ✓ 6000Vdc isolation voltage
- ✓ Operating temperature range -40°C to +85°C
- ✓ Low isolation capacitance



| Model      | Input voltage (Vdc) | Output voltage (Vdc) | Output current (mA) |      | Efficiency Typ. |
|------------|---------------------|----------------------|---------------------|------|-----------------|
|            |                     |                      | Min.                | Max. |                 |
| DAE1-0511H | 5(4.5~5.5)          | 5                    | 20                  | 200  | 80%             |
| DAE1-0512H |                     | 9                    | 11                  | 110  | 80%             |
| DAE1-0513H |                     | 12                   | 8.3                 | 83   | 80%             |
| DAE1-0514H |                     | 15                   | 6.8                 | 68   | 80%             |
| DAE1-0515H |                     | 24                   | 4.2                 | 42   | 80%             |
| DAE1-0521H |                     | ±5                   | 10                  | 100  | 80%             |
| DAE1-0522H |                     | ±9                   | 5.5                 | 55   | 80%             |
| DAE1-0523H |                     | ±12                  | 4                   | 40   | 80%             |
| DAE1-0524H |                     | ±15                  | 3.3                 | 33   | 80%             |
| DAE1-0525H |                     | ±24                  | 2.1                 | 21   | 80%             |
| DAE1-1211H | 12(10.8~13.2)       | 5                    | 20                  | 200  | 80%             |
| DAE1-1212H |                     | 9                    | 11                  | 110  | 80%             |
| DAE1-1213H |                     | 12                   | 8.3                 | 83   | 80%             |
| DAE1-1214H |                     | 15                   | 6.8                 | 68   | 80%             |
| DAE1-1215H |                     | 24                   | 4.2                 | 42   | 80%             |
| DAE1-1221H |                     | ±5                   | 10                  | 100  | 80%             |
| DAE1-1222H |                     | ±9                   | 5.5                 | 55   | 80%             |
| DAE1-1223H |                     | ±12                  | 4                   | 40   | 80%             |
| DAE1-1224H |                     | ±15                  | 3.3                 | 33   | 80%             |
| DAE1-1225H |                     | ±24                  | 2.1                 | 21   | 80%             |

Notes: other input and output models may available on request.

**ELECTRICAL**

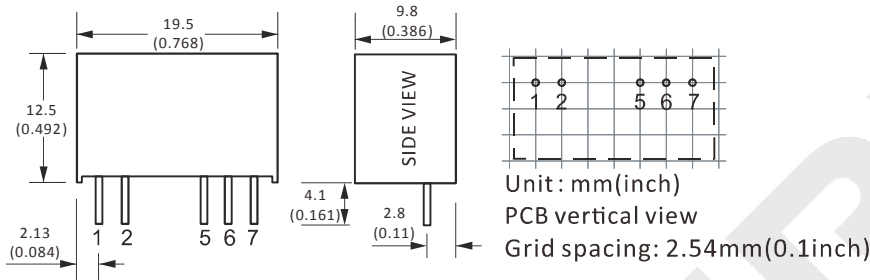
|                             |                      |                         |
|-----------------------------|----------------------|-------------------------|
| Line regulation             | ---                  | ±1.2%                   |
| Load regulation             | 10% ~ 100% full load | 15% max.                |
| Ripple and noise            | ---                  | 200mVp-p max.           |
| Isolation voltage           | ---                  | 6000Vdc                 |
| Operating temperature range | ---                  | -40°C to +85°C          |
| MTBF                        | ---                  | 3.5x10 <sup>6</sup> Hrs |

DAE-1H SERIES, 1WATT, 6KVDC, UNREGULATED

**ELECTRICAL**

Notes: All the data in this article are under test with "TA+25°C, humidity<75%, rated input and rated load" mode.

**MECHANICAL**



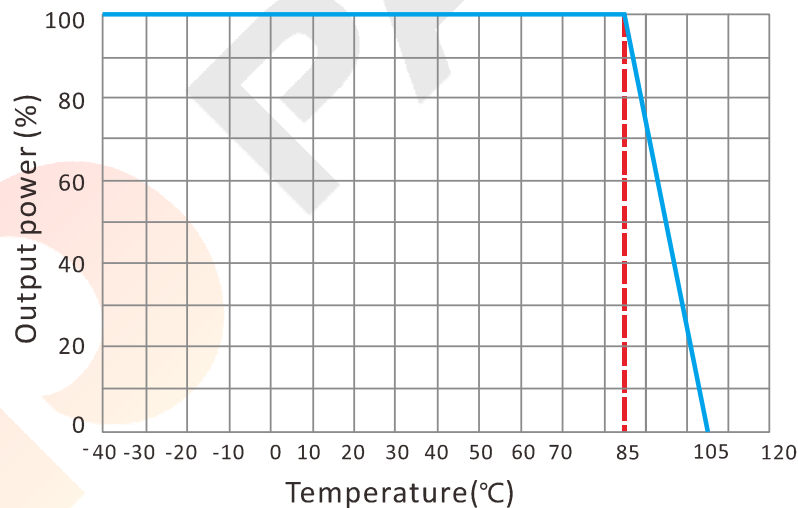
**CONNECTION**

| PIN # | SINGLE | DUAL |
|-------|--------|------|
| 1     | +Vin   | +Vin |
| 2     | GND    | GND  |
| 5     | -Vo    | -Vo  |
| 6     | No Pin | COM  |
| 7     | +Vo    | +Vo  |

Note:

\* Unit is mm(inch).

**TEMPERATURE PROFILE**

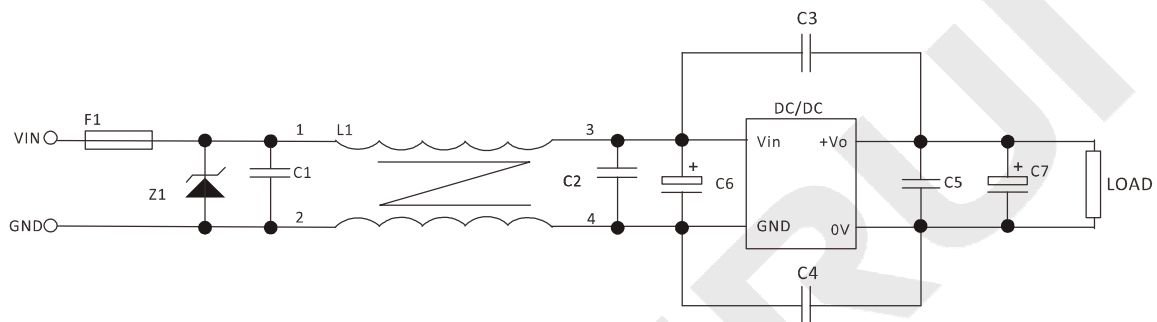


**CAPACITIVE LOADS SELECTION**

| Vin (Vdc) | Cin (µF) | Single Output Voltage (Vdc) | Cout (µF) | Dual Output Voltage (Vdc) | Cout (µF) |
|-----------|----------|-----------------------------|-----------|---------------------------|-----------|
| 5         | 4.7      | 5                           | 10        | ±5                        | 4.7       |
| 12        | 2.2      | 9                           | 4.7       | ±9                        | 2.2       |
| 24        | 1        | 12                          | 2.2       | ±12                       | 1         |
| -         | -        | 15/24                       | 1         | ±15                       | 0.47      |

**DAE-1H SERIES, 1WATT, 6KVDC, UNREGULATED**
**NOTES**
**RECOMMENDED TEST AND APPLICATION CIRCUIT**

In order to ensure the efficiency and dependability of the module, the minimum specified load must be less than 10% of rated load. If the output power is low, we recommend to add an external 10% loading resistor in parallel.



FUSE: depends on the actual input current;

TVS: depends on the actual input voltage;

Recommended capacitor: C1, C2, C5, about 0.1uF; for C6, C7, please check the capacitive load; C3,C4: 2KV/1nF.