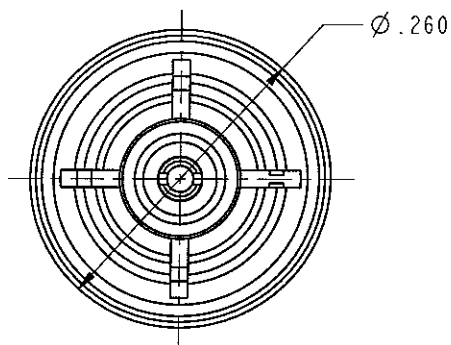


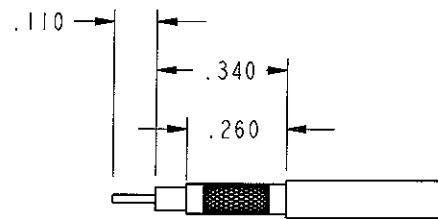
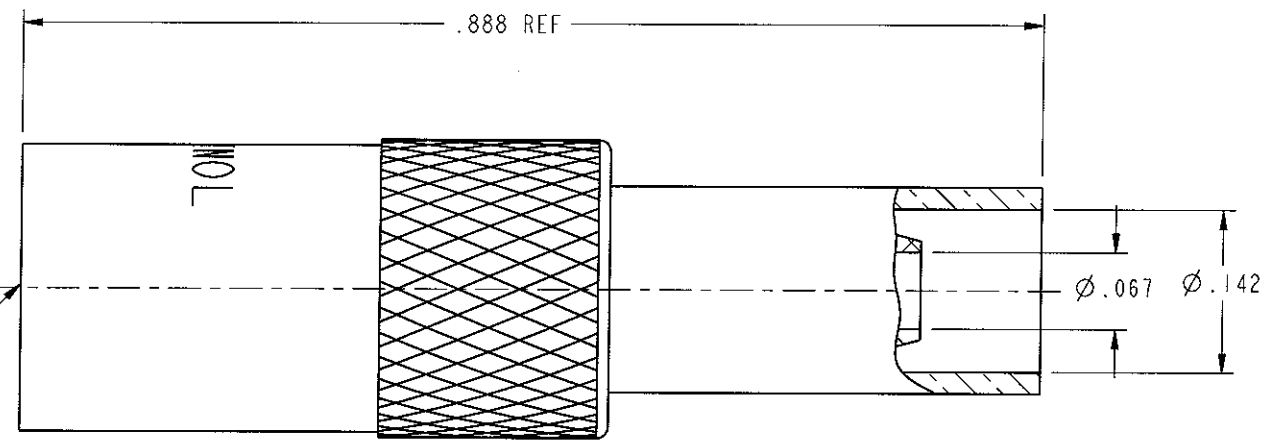
NOTES:

- MATERIAL AND FINISH:  
 BODY: ZINC DIE-CAST, GOLD PLATED  
 OUTER CONTACT: BRASS, GOLD PLATED  
 CONTACT: BERYLLIUM COPPER, GOLD PLATED  
 INSULATOR: PTFE  
 FERRULE: ANNEALED COPPER, GOLD PLATED
- CRIMP USING CRIMP TOOL 227-944, CRIMP DIE 227-1221-37  
 CAVITY "B" (.151 HEX).  
 OPTIONAL: IF CONTACT IS TO BE CRIMPED USE TOOL 227-1454,  
 POSITIONER 227-1475 SETTING 5.
- DO NOT SCALE THIS DRAWING.

903-579P-51S		REVISIONS			
DRAWING NO.	REV	DESCRIPTION	DATE	ECO	APPR
THIRD ANGLE PROJ.	A	OFFICIAL ENG. RELEASE TO MFG.	5/4/99	42914	PB/TA
	B	ADD CRIMP CONTACT TOOLS TO NOTE 2	11/4/99	43172	PB/TA



INTERFACE PER  
 MIL-STD-348  
 SMB SERIES  
 FIGURE 311-2



CABLE STRIPPING DIMENSIONS

CUSTOMER OUTLINE DRAWING  
 FOR REFERENCE ONLY

UNLESS OTHERWISE SPECIFIED, DIMENSIONS ARE IN INCHES AND TOLERANCES ARE:  
 2 PLACE DECIMAL ±.015 (0.381 mm)  
 3 PLACE DECIMAL ±.005 (0.127 mm)  
 ANGLES ± 1°

NOTICE - These drawings, specifications, or other data (1) are, and remain the property of Amphenol Corp. (2) must be returned upon request; and (3) are confidential and not to be disclosed to any person other than those to whom they are given by Amphenol Corp. The furnishing of these drawings, specifications, or other data by Amphenol Corp., or to any other person to anyone for any purpose is not to be regarded by implication or otherwise in any manner licensing, granting rights or permitting such holder or any other person to manufacture, use or sell any product, process or design, patented or otherwise, that may in any way be related to or disclosed by said drawings, specifications, or other data.

MATERIAL	DRAWN P. BRENZEL	DATE 22-Mar-99	TITLE SMB PLUG FOR DOUBLE BRAID RG-316/U CABLE		<b>Amphenol</b> Amphenol Corporation Communication and Network Products Division Danbury, CT U.S.A. 06810 SCALE: 6.0:1 SHEET 1 OF 1
REFERENCE EAR 102-967201 0 GEN # ASSYF6_SMB	ENGINEER P. BRENZEL	DATE 22-Mar-99	DRAWING NO. 903-579P-51S		
	APPROVED T. AUBIN	DATE 5/4/99	CODE ID 74868	DWG SIZE B	
	CAD FILE I:\SMB\903-579P-51S				REV B