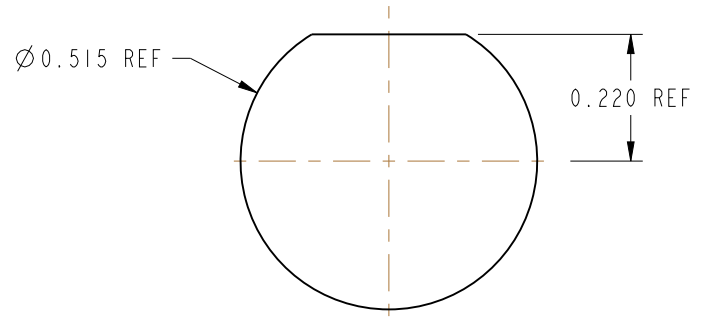


NOTES:

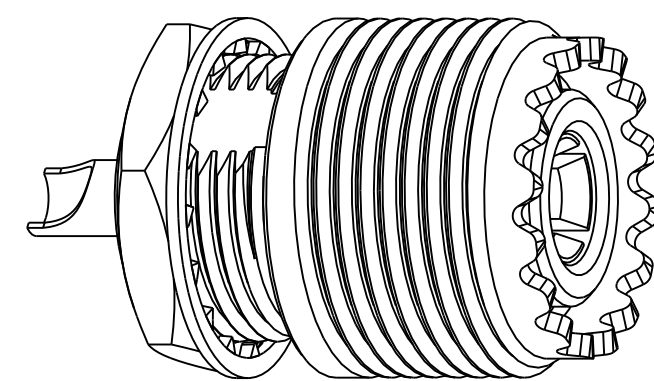
1. MATERIALS AND FINISHES:  
 BODY - BRASS, NICKEL PLATING  
 CONTACT - BRASS, SILVER PLATING  
 INSULATOR - PTFE
2. ELECTRICAL:  
 A. IMPEDANCE: 50 OHM
3. MECHANICAL:  
 A. DURABILITY: 500 CYCLES MIN.
4. PACKAGING:  
 A. QUANTITY: SINGLE PACK  
 B. MARKING: BAG TO BE MARKED  
 "AMPHENOLRF, 83-875-1002, AND DATE CODE"



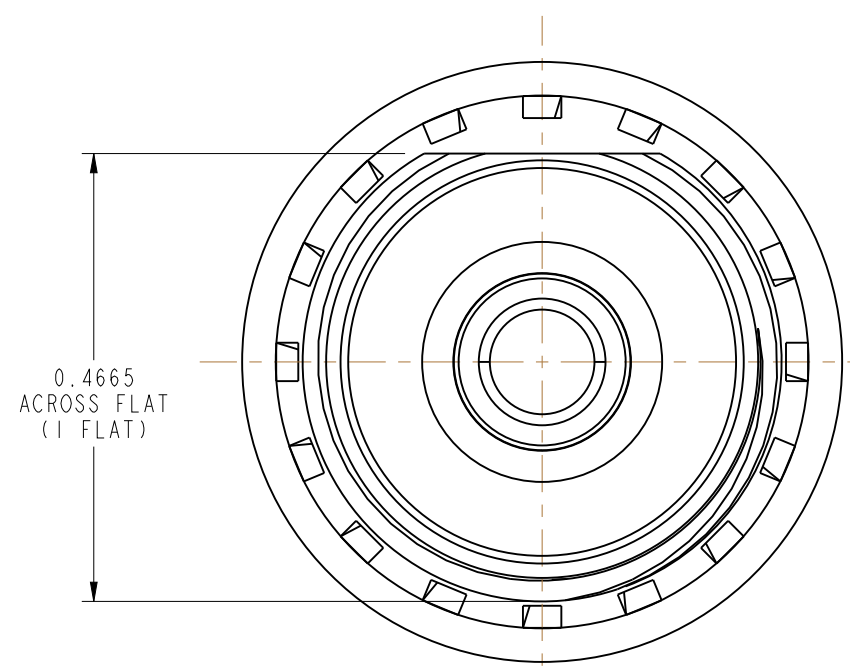
SCALE 3.000

**RECOMMENDED MOUNTING HOLE DIMENSIONS**

83-875-1002		REVISIONS			
DRAWING NO.	REV	DESCRIPTION	DATE	ECO	APPR
THIRD ANGLE PROJ.	--	RELEASE TO MFG.	-----	-----	-----
	L	REDRAWN IN PRO-E, ADD COD	5/24/11	47687	BM
	M	CHANGED LOCKWASHER	6/8/12	49118	CPM
	N	CORRECTED ECO#	12/17/12	49365	CPM

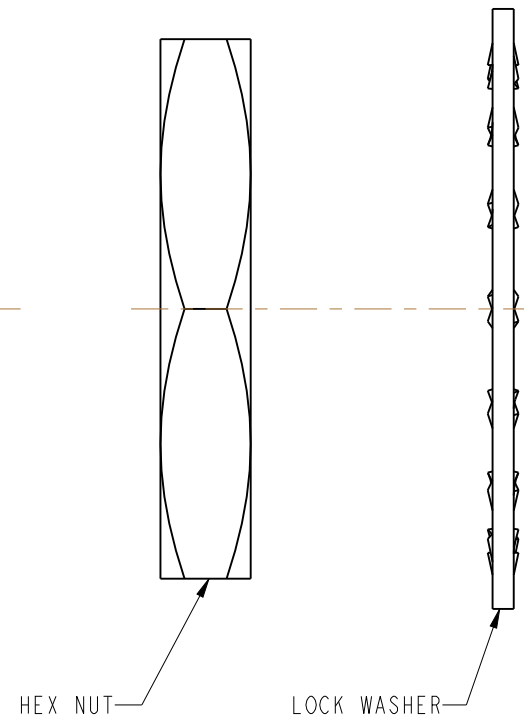


SCALE 3.000



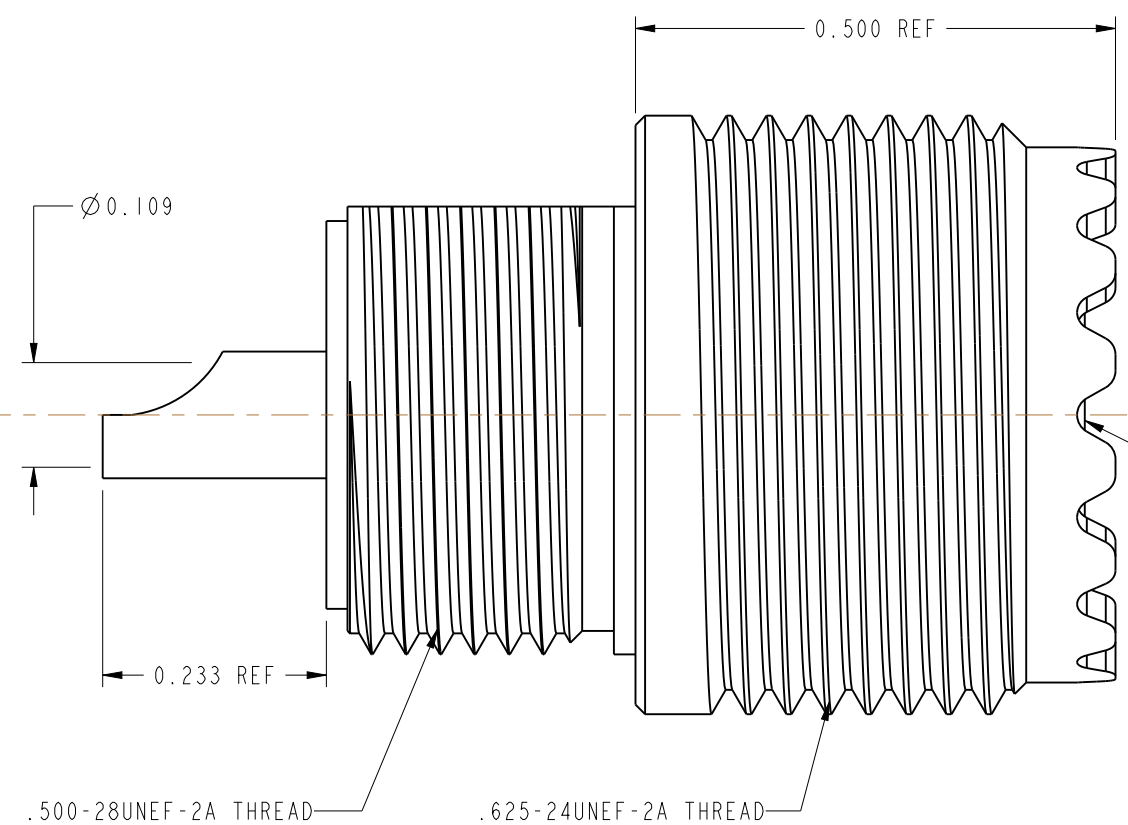
0.4665  
ACROSS FLAT  
(1 FLAT)

VIEW DOES NOT SHOW  
LOCK WASHER AND HEX NUT



HEX NUT

LOCK WASHER



.500-28UNEF-2A THREAD

.625-24UNEF-2A THREAD

INTERFACE PER  
AMPHENOL SPEC. 349-50551  
SEC. 907

**CUSTOMER OUTLINE DRAWING**  
ALL OTHER SHEETS ARE FOR INTERNAL USE ONLY

UNLESS OTHERWISE SPECIFIED, DIMENSIONS ARE IN INCHES AND TOLERANCES ARE: 2 PLACE DECIMAL ±.015 (0,381 mm) 3 PLACE DECIMAL ±.005 (0,127 mm) ANGLES ± 1°	MATERIAL SEE NOTES	DRAWN C. McGRATH	DATE 31-Jul-09	TITLE UHF RECEPTACLE	Amphenol RF Danbury, CT, USA Tainan, Taiwan Shenzhen, China www.amphenolrf.com
	REFERENCE D.O.R 303680-51	ENGINEER H. PARIKH	DATE 6/3/66		
NOTICE - These drawings, specifications, or other data (1) are, and remain the property of Amphenol Corp. (2) must be returned upon request; and (3) are confidential and not to be disclosed to any person other than those to whom they are given by Amphenol Corp. The furnishing of these drawings, specifications, or other data by Amphenol Corp., or to any other person to anyone for any purpose is not to be regarded by implication or otherwise in any manner licensing, granting rights or permitting such holder or any other person to manufacture, use or sell any product, process or design, patented or otherwise, that may in any way be related to or disclosed by said drawings, specifications, or other data.		APPROVED H. PARIKH	DATE 5/24/11	CODE ID 74868	DWG SIZE B
					DRAWING NO. 83-875-1002
					SCALE: 5.0:1 SHEET 2 OF 2