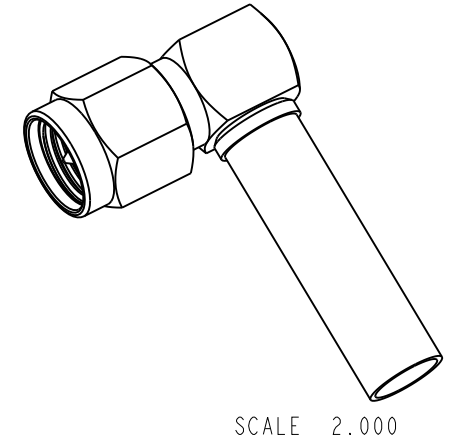
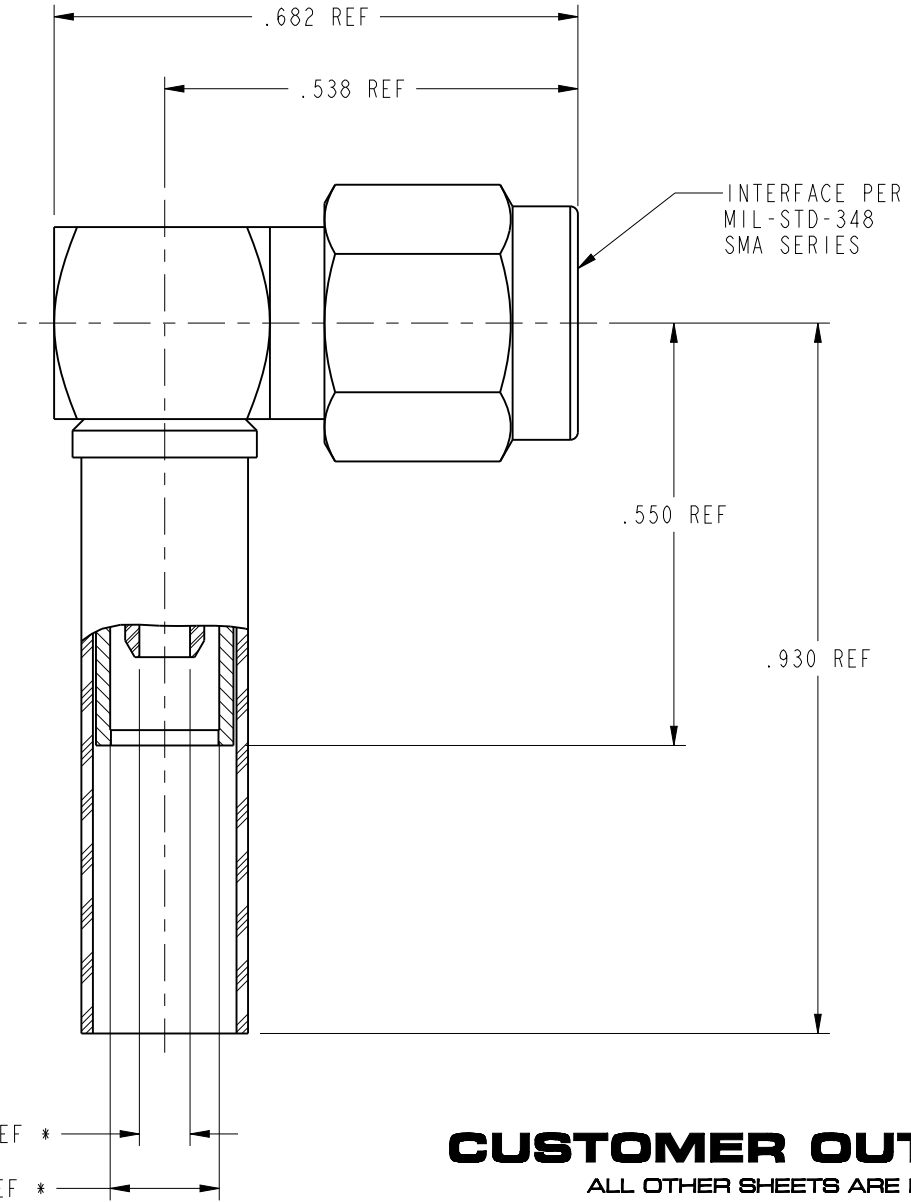
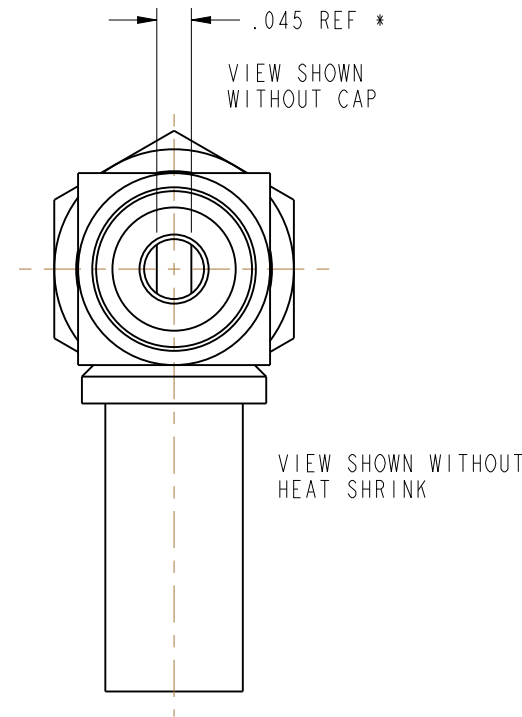


NOTES:

1. MATERIALS AND FINISHES:
 BODY, COUPLING NUT & CAP = STAINLESS STEEL, GOLD PLATING (.000004 THICK MIN)
 CONTACT = BeCu, GOLD PLATING (.000004 THICK MIN)
 INSULATOR = PTFE
 FERRULE = BRASS, GOLD PLATING (.000004 THICK MIN)
 GASKET = SILICONE RUBBER
 RETAINING RING = BeCu, WAX DIPPED
2. ELECTRICAL:
 A. IMPEDANCE: 50 OHM
 B. FREQUENCY RANGE: DC - 18 GHz
 C. VSWR(RETURN LOSS): 1.10 + .01f (GHz), MAX.
 D. DIELECTRIC WITHSTANDING VOLTAGE: 1000 VRMS, MIN.
3. MECHANICAL:
 A. DURABILITY: 500 CYCLES MIN.
 B. TEMPERATURE RANGE: -65° C TO 165° C
4. PACKAGING:
 A. QUANTITY: SINGLE PACK
 B. MARKING: BAG TO BE MARKED
 "AMPHENOL, PN:5, AND DATE CODE"
5. FOR CABLE STRIPPING AND ASSEMBLY INSTRUCTIONS SEE
 AMPHENOL SPEC 349-50180, SHEET 45. CRIMP WITH TOOL
 227-944, AND DIE SET 227-1221-37, CAVITY 'B', (.151 HEX).
6. ASTERICK (*) INDICATES CABLE ENTRY DIMENSIONS.

| 901-9531-12 | | REVISIONS | | | |
|-------------------|-----|--------------------------------|---------|-------|------|
| DRAWING NO. | REV | DESCRIPTION | DATE | ECO | APPR |
| THIRD ANGLE PROJ. | -- | RELEASE TO MFG. | ----- | ----- | ---- |
| | M | SEE SHEET 1. | 3/18/04 | 44859 | CPM |
| | N | SEE SHEET 1. | 7/10/06 | 46155 | CPM |
| | P | ADD NOTE 6 & CABLE ENTRY DIM'S | 8/7/12 | 49022 | CPM |



CUSTOMER OUTLINE DRAWING
 ALL OTHER SHEETS ARE FOR INTERNAL USE ONLY

| | | | | | | | |
|---|-----------|--------------------------------|-----------------|---|--|----------------------------|----------|
| UNLESS OTHERWISE SPECIFIED, DIMENSIONS ARE IN INCHES AND TOLERANCES ARE: 2 PLACE DECIMAL 3 PLACE DECIMAL ANGLES ±.015 (0,381 mm) ±.005 (0,127 mm) ± 1° | MATERIAL | DRAWN C. McGRATH | DATE 3/10/04 | TITLE SMA (MALE) CRIMP RIGHT ANGLE FOR M17/152-00001 CABLE | Amphenol RF Danbury, CT, USA Tainan, Taiwan Shenzhen, China www.amphenolrf.com | | |
| | REFERENCE | ENGINEER D. ROYCE | DATE 2/24/93 | | | | |
| NOTICE - These drawings, specifications, or other data (1) are, and remain the property of Amphenol Corp. (2) must be returned upon request; and (3) are confidential and not to be disclosed to any person other than those to whom they are given by Amphenol Corp. The furnishing of these drawings, specifications, or other data by Amphenol Corp., or to any other person to anyone for any purpose is not to be regarded by implication or otherwise in any manner licensing, granting rights or permitting such holder or any other person to manufacture, use or sell any product, process or design, patented or otherwise, that may in any way be related to or disclosed by said drawings, specifications, or other data. | | APPROVED F.S. HULL | DATE 1/25/90 | CODE ID 74868 | DWG SIZE B | DRAWING NO. 901-9531-12 | REV P |
| | | CAD FILE I:\SMA\901-9531-12 | | | | | |