

NOTES:

1. MATERIALS AND FINISHES:

BODY - BeCu, GOLD PLATING OVER WHITE BRONZE
 CONTACT - BeCu, GOLD PLATING OVER WHITE BRONZE
 INSULATOR - PTFE

2. ELECTRICAL:

A. IMPEDANCE: 50 OHM
 B. FREQUENCY RANGE: DC - 6 GHz
 C. DIELECTRIC WITHSTANDING VOLTAGE: 500 VRMS, MIN.

3. MECHANICAL:

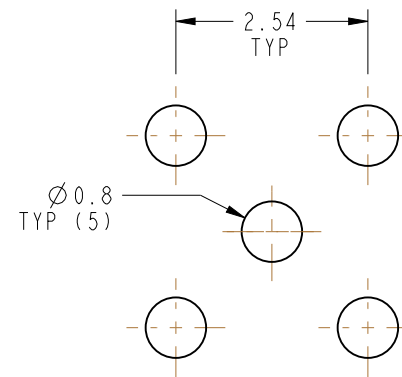
A. DURABILITY: 500 CYCLES MIN.
 B. TEMPERATURE RANGE: -65° C TO 165° C

4. A. QUANTITY: BULK PACK 100
 B. MARKING: BAG TO BE MARKED
 "AMPHENOL, 908-NM22106 100 PIECES, AND DATE CODE"
 AND "NON-MAGNETIC CONNECTORS"

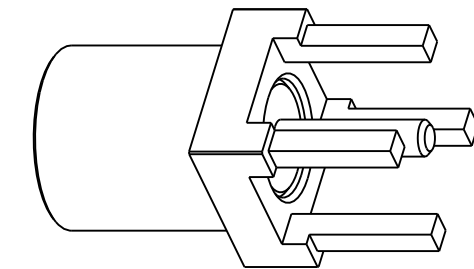
THIRD ANGLE PROJ.

REVISIONS

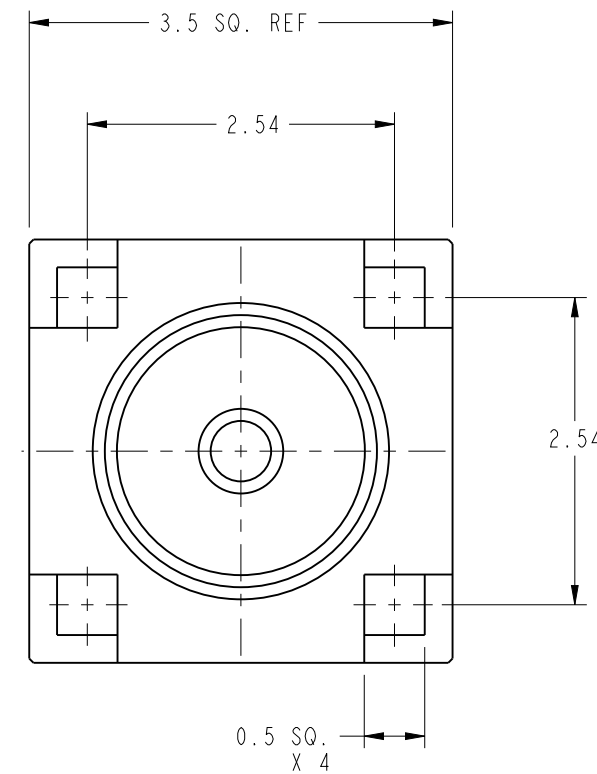
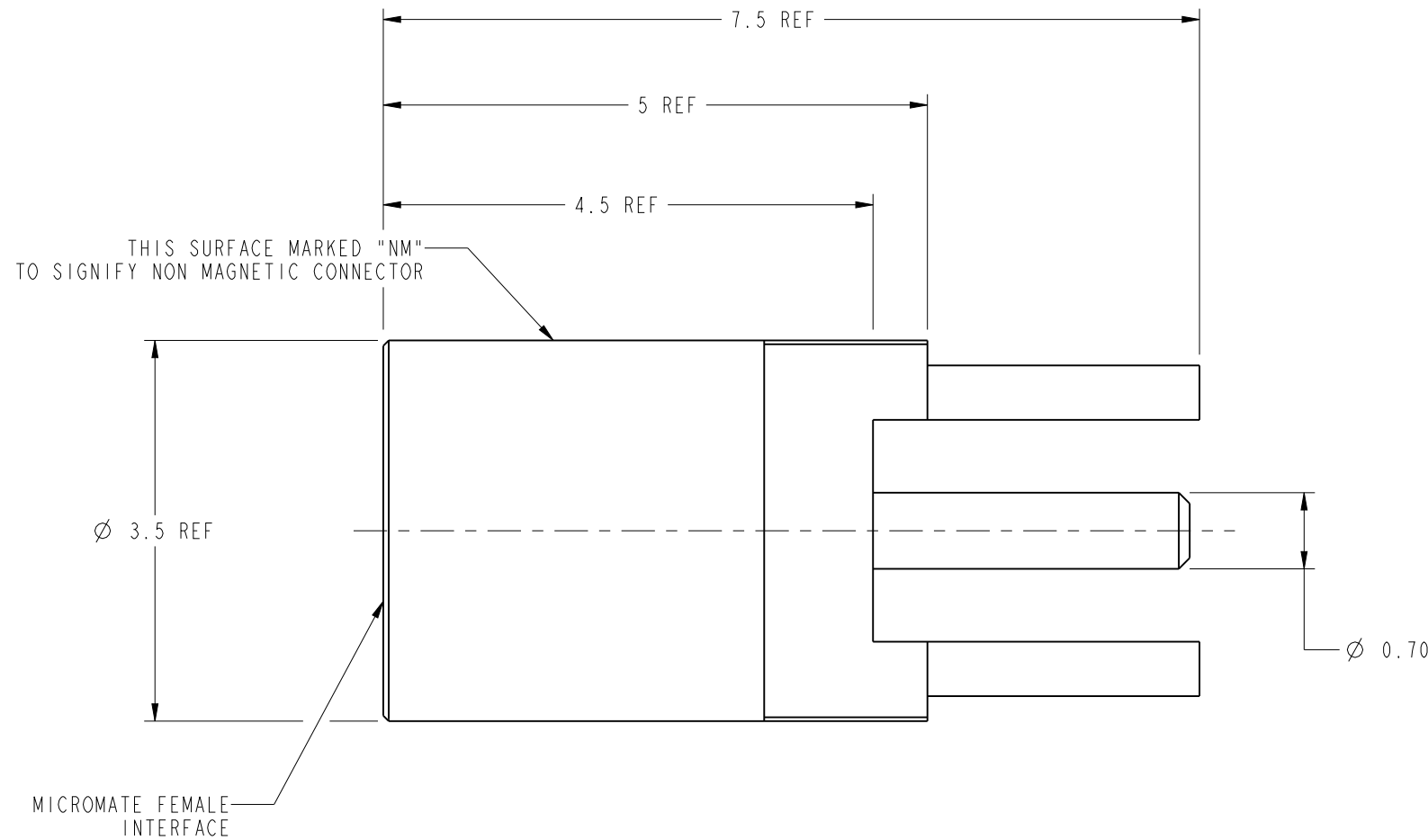
| REV | DESCRIPTION | DATE | ECO | APPR |
|-----|-------------------------------------|---------|-------|------|
| A | item RIE LwEs E9 0180-nmf-00.001.jg | 3/17/10 | 47988 | KJC |
| B | SEE SHEET 1 | 3/17/10 | 47980 | CPM |
| C | IMPROVED MATING FORCES | 8/27/12 | 49216 | DD |



RECOMMENDED PCB LAYOUT



SCALE 7.000



CUSTOMER OUTLINE DRAWING

ALL OTHER SHEETS ARE FOR INTERNAL USE ONLY

UNLESS OTHERWISE SPECIFIED, DIMENSIONS ARE IN METRIC AND TOLERANCES ARE:
 0.5 - 6mm ±0.1mm 6 - 30mm ±0.2mm 30 - 120mm ±0.3mm ANGLES ±1°

NOTICE - These drawings, specifications, or other data (1) are, and remain the property of Amphenol corp. (2) must be returned upon request; and (3) are confidential and not to be disclosed to any person other than those to whom they are given by Amphenol Corp. the finishing of these drawings, specifications, or other data by Amphenol Corp., or to any other person to anyone for any purpose is not to be regarded by implication or otherwise in any manner licensing, granting rights to permitting such holder or any other sperson to manufacture, use or sell any product, process or design, patented or otherwise, that may in any way be related to or disclosed by said drawings, specifications, or other data.

| | |
|----------------------|----------------|
| MATERIAL | |
| REFERENCE | EAR # 1952 AND |
| CONFIGURATION LEVEL: | |
| FINISH | |

| | | | |
|----------|------------------------------|------|-----------|
| DRAWN | K. CAPOZZI | DATE | 18-Jul-06 |
| ENGINEER | K. CAPOZZI | DATE | 18-Jul-06 |
| APPROVED | B. C. GLEISSNER | DATE | 3/17/10 |
| CAD FILE | Root Folder/MMCX/908-NM22106 | | |

| | | | |
|--------------------|----------|---------|--------|
| TITLE | | | |
| ASSEMBLY MMCX JACK | | | |
| STRAIGHT TO PCB | | | |
| NON MAGNETIC | | | |
| SCALE: | 16.0:1.0 | SHEET | 2 OF 2 |
| DWG SIZE | B | CODE ID | 74868 |
| | | REV | C |

| | |
|---|-------------|
| Amphenol RF | |
| Danbury CT USA, Tainan, Taiwan, Shenzhen, China | |
| www.amphenolrf.com | |
| DRAWING NO. | |
| ITEM NO. | 908-NM22106 |