

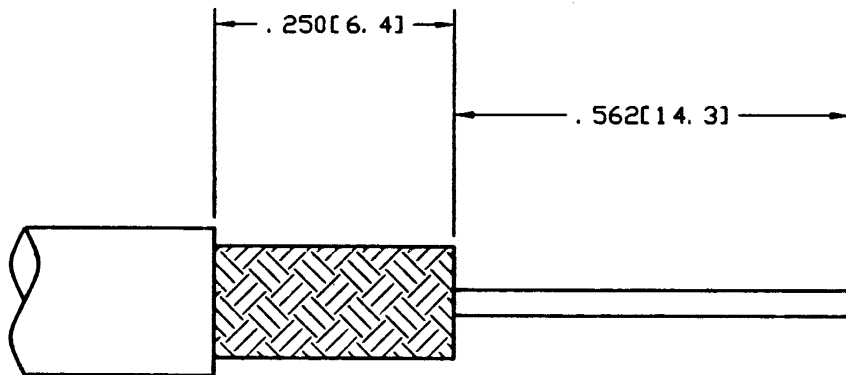
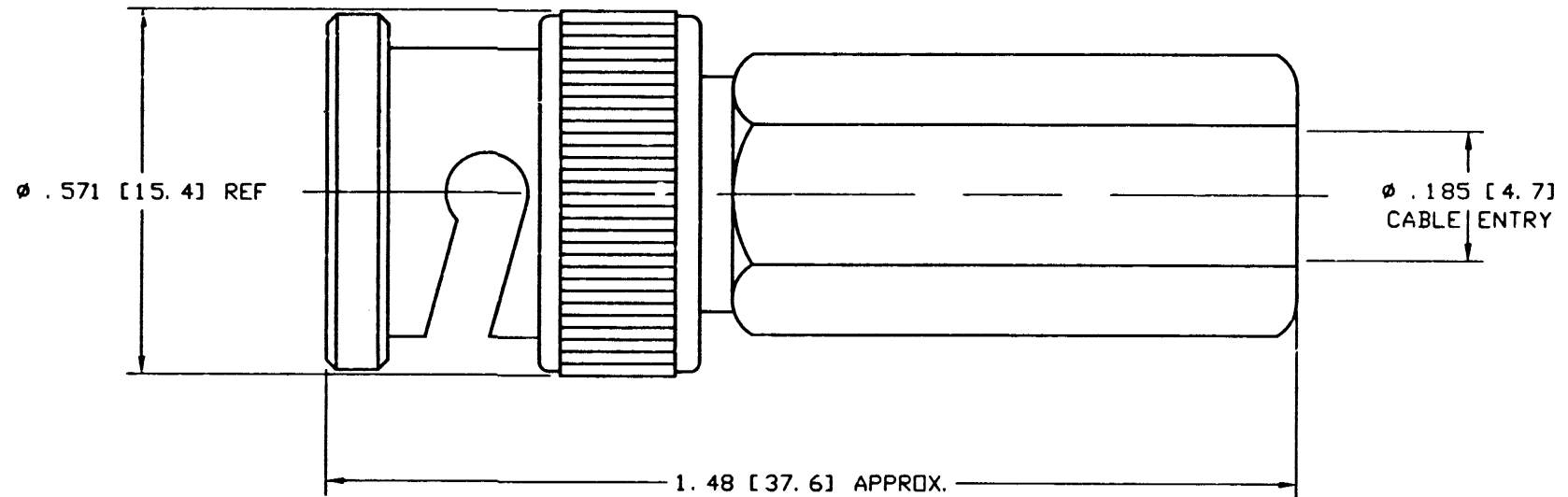
NOTES:

1. NICKEL PLATED DIE CAST BODY.
2. DELRIN INSULATOR.
3. GOLD PLATED CONTACT, .000003.
4. PACKAGED IN BAG 999-345.
5. UNLESS OTHERWISE SPECIFIED, ALL DIMENSIONS ARE AFTER PLATING.
6. DO NOT SCALE THIS DRAWING.

31-5137-RFX

REVISIONS

DRAWING NO.	REV	DESCRIPTION	DATE	ECO	APPR
THIRD ANGLE PROJ.		RELEASE TO MFG.			
	B	SEE SHEET 1	4/27/90	1/28/99	CPM/



RECOMMENDED CABLE STRIPPING DIM'S

ENGLISH [METRIC]

CUSTOMER OUTLINE DRAWING

UNLESS OTHERWISE SPECIFIED, DIMENSIONS ARE IN INCHES AND TOLERANCES ARE:
 2 PLACE DECIMAL ±.015 (0,381 mm) 3 PLACE DECIMAL ±.005 (0,127 mm) ANGLES ± 1'

NOTICE - These drawings, specifications, or other data (1) are, and remain the property of Amphenol Corp. (2) must be returned upon request; and (3) are confidential and not to be disclosed to any person other than those to whom they are given by Amphenol Corp. The furnishing of these drawings, specifications, or other data by Amphenol Corp., or to any other person to anyone for any purpose is not to be construed by implication or otherwise in any manner licensing, granting rights or authorizing such holder or any other person to manufacture, use or sell any product, process or design, patented or otherwise, that may in any way be related to or disclosed by said drawings, specifications, or other data.

MATERIAL	
REFERENCE	

DRAWN C. McGRATH	DATE 12/21/98
ENGINEER T. AUBIN	DATE 12/21/98
APPROVED 	DATE 1/21/99
CAD FILE H:\DEPT611\BNC\031\ASSY\5137\RFXSHT2	

TITLE BNC PLUG SURE TWIST® FOR RG-58 CABLE, 50 OHM	CODE ID 74868	DWG SIZE B	DRAWING NO. 31-5137-RFX
--	------------------	---------------	----------------------------

Amphenol Amphenol Corporation RF/Microwave Operations Danbury, Conn. U.S.A. 06810	SCALE: 4:1	SHEET 2 OF 2	REV B
---	------------	--------------	----------