

NOTES:

1. MATERIALS OF CONSTRUCTION:

- CONNECTOR BODY = ZINC DIE CAST, NICKEL PLATED (.000100 THICK MIN)
- REAR COVER = ZINC DIE CAST, NICKEL PLATED
- CENTER CONTACTS = PHOSPHOR BRONZE, GOLD FLASH OVER NICKEL PLATED (.000100 THICK MIN)
IN CONTACT AREA, CONTACT TAILS ARE TIN OVER NICKEL (.000100 THICK MIN)
- GROUNDING TERMINAL = COPPER, TIN PLATED (.000080 THICK)
- MOUNTING HOOKS = BRASS, TIN PLATED (.000080 THICK MIN)
- LOCK WASHER = PHOSPHOR BRONZE, NICKEL PLATED (.000080 THICK MIN)
- SPANNER NUT = BRASS, NICKEL PLATED (.000080 THICK MIN)
- INSULATORS = POLYPROPYLENE UL94 HB
- FASTENERS = STEEL
- RETENTION INSULATOR = PBT+15% GLASS FIBER
- SPACER = PBT+15% GLASS FIBER

2. ELECTRICAL:

- A. IMPEDANCE: 75 OHM
- B. FREQUENCY RANGE: DC - 500 MHz

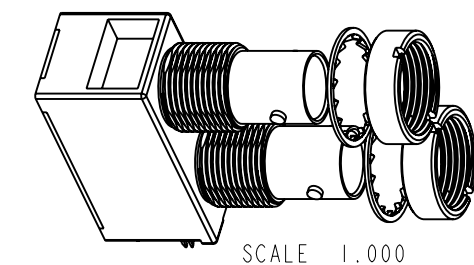
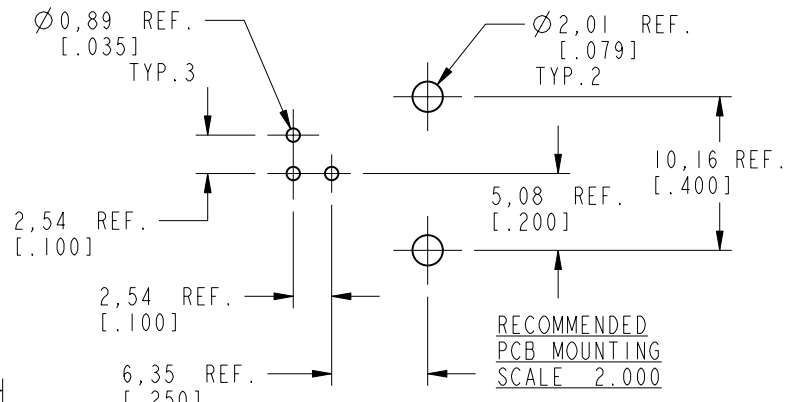
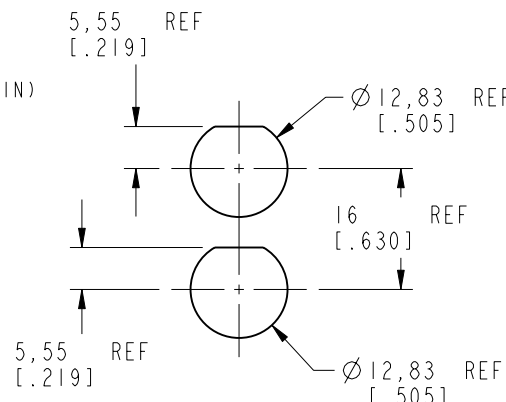
3. PACKAGING:

- A. BULK PACKAGED IN TRAY
- B. QUANTITY = 20 PIECES
- C. HARDWARE SHOWN FOR REFERENCE ONLY
- D. HARDWARE MUST BE PURCHASED SEPERATELY
- E. SPANNER NUT = P/N 31-6080 (40 PC BULK PACK)
- F. LOCK WASHER = P/N 31-6079 (40 PC BULK PACK)
- G. HARDWARE KIT = P/N 31-6108, AND INCLUDES 2 SPANNER NUTS & 2 LOCKWASHERS IN 1 BAG.

THIRD ANGLE PROJ.

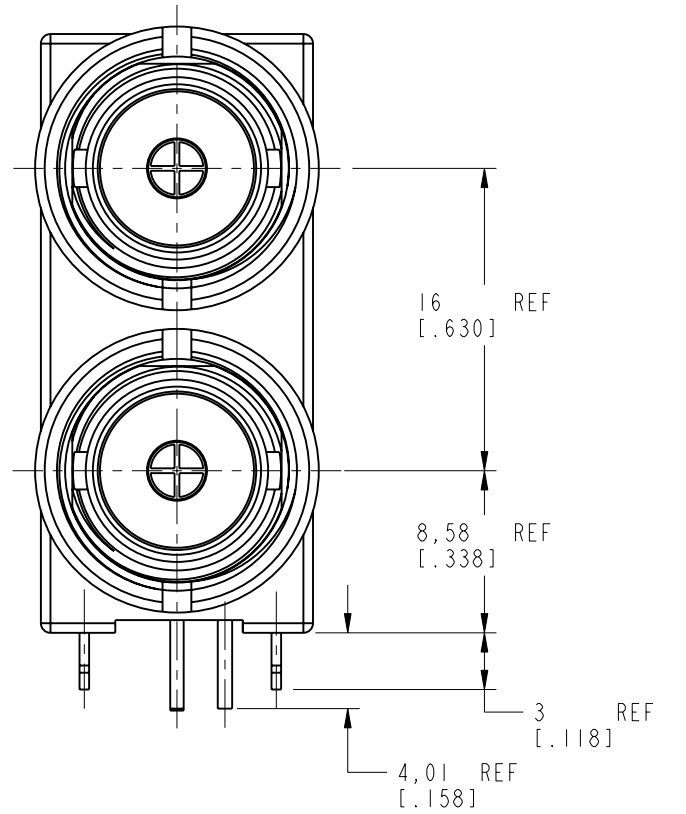
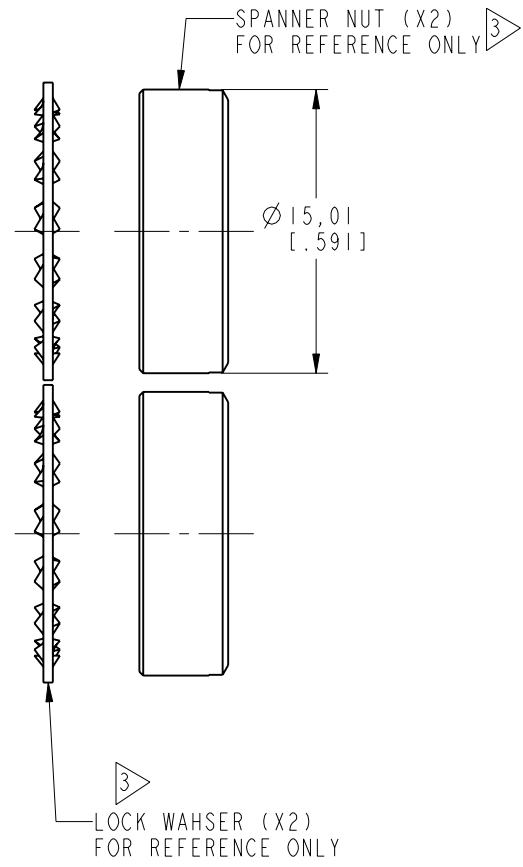
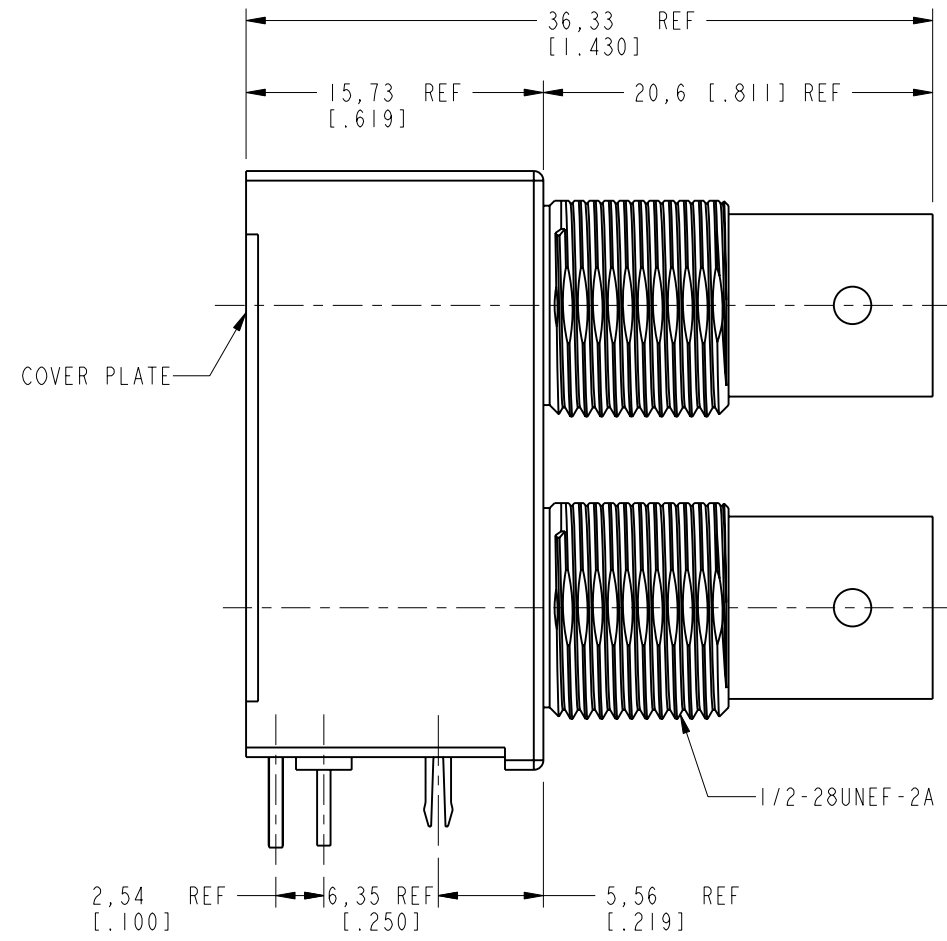
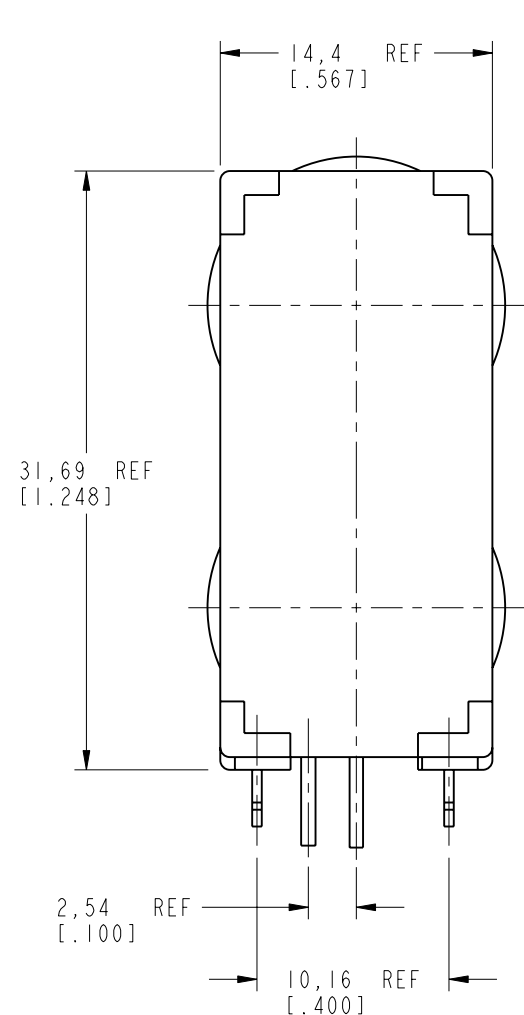
REVISIONS

REV	DESCRIPTION	DATE	ECO	APPR
A	RELEASE TO MFG.	6/6/02	44068	ORB
B	36.33 WAS 38.83; 15.73 WAS 18.23	9/25/02	44214	ORB
C	ADDED 3 G	6/6/03	44504	CPM
D	SEE SHEET 1	6/16/05	45589	CPM
E	SEE SHEET 1 (RD-DMI009080IS4)	18-8-11	48249	CPM
F	CHANGE THE COMPONENT NAMES ON NOTE 1	30-Jul-12	49105	SH



RECOMMENDED MOUNTING HOLE DIMENSIONS SCALE 1.000

RECOMMENDED PCB MOUNTING SCALE 2.000



CUSTOMER OUTLINE DRAWING
ALL OTHER SHEETS ARE FOR INTERNAL USE ONLY

UNLESS OTHERWISE SPECIFIED, DIMENSIONS ARE IN METRIC AND TOLERANCES ARE: <0.5mm ±0.05mm 0.5 - 6mm ±0.1mm 6 - 30mm ±0.2mm 30 - 120mm ±0.3mm ANGLES ±1°	MATERIAL	DRAWN	DATE	TITLE DUAL PORT BNC PCB MOUNT RECEPTACLE HOOK SCALE: 2.5:1.0 SHEET 2 OF 2		Amphenol RF Danbury CT USA, Tainan, Taiwan, Shenzhen, China www.amphenolrf.com	
	REFERENCE EAR # AND CONFIGURATION LEVEL: <input type="checkbox"/> <input type="checkbox"/> <input type="checkbox"/> <input type="checkbox"/>	ENGINEER	DATE				
NOTICE - These drawings, specifications, or other data (1) are, and remain the property of Amphenol corp. (2) must be returned upon request; and (3) are confidential and not to be disclosed to any person other than those to whom they are given by Amphenol Corp. the furnishing of these drawings, specifications, or other data by Amphenol Corp., or to any other person to anyone for any purpose is not to be regarded by implication or otherwise in any manner licensing, granting rights to permitting such holder or any other person to manufacture, use or sell any product, process or design, patented or otherwise, that may in any way be related to or disclosed by said drawings, specifications, or other data.	FINISH	APPROVED	DATE	DWG SIZE	REV		
		S.HSIEH	27-Jul-12	B	F		