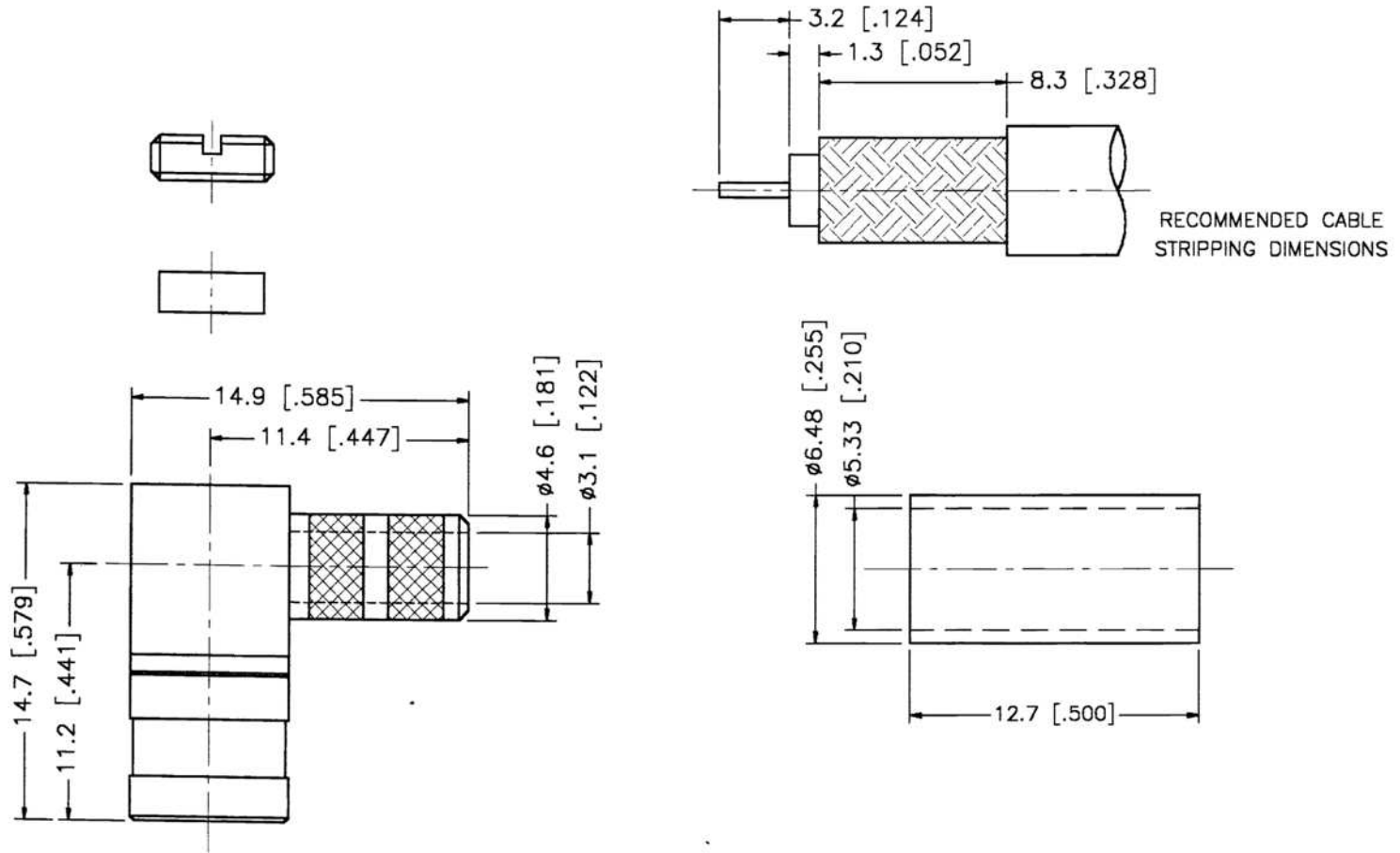



REV.	DATE	DESCRIPTION
NC	01/29/98	INITIAL RELEASE



DESCRIPTION	MATERIAL	FINISH	UNLESS OTHERWISE SPECIFIED DIMENSIONS ARE IN MILLIMETERS	APPROVALS	DATE					
1 BODY	BRASS	NICKEL	DIMENSIONS IN [ ] ARE IN INCHES FOR CUSTOMER REFERENCE ONLY	DRAWN	G.R.S.					01/29/98
2 INSULATOR	TEFLON	NATURAL		UNLESS OTHERWISE SPECIFIED TOLERANCES FOR MILLIMETERS ARE: 0.5-6 = ± 0.2 6-30 = ± 0.4 30-120 = ± 0.6 120-315 = ± 1 315-1000 = ± 1.6 1000-2000 = ± 2.4	CHECKED			SIZE FSCM NO. DWG. NO. REV. A 99001 142205.DWG NC		
3 CONTACT PIN	BER. COPPER	GOLD	DO NOT SCALE DRAWING		ISSUED					
4 INSULATOR	P.E.	NATURAL								
5 FERRULE	COPPER	NICKEL								
6 NUT	BRASS	NICKEL								
7										
8										