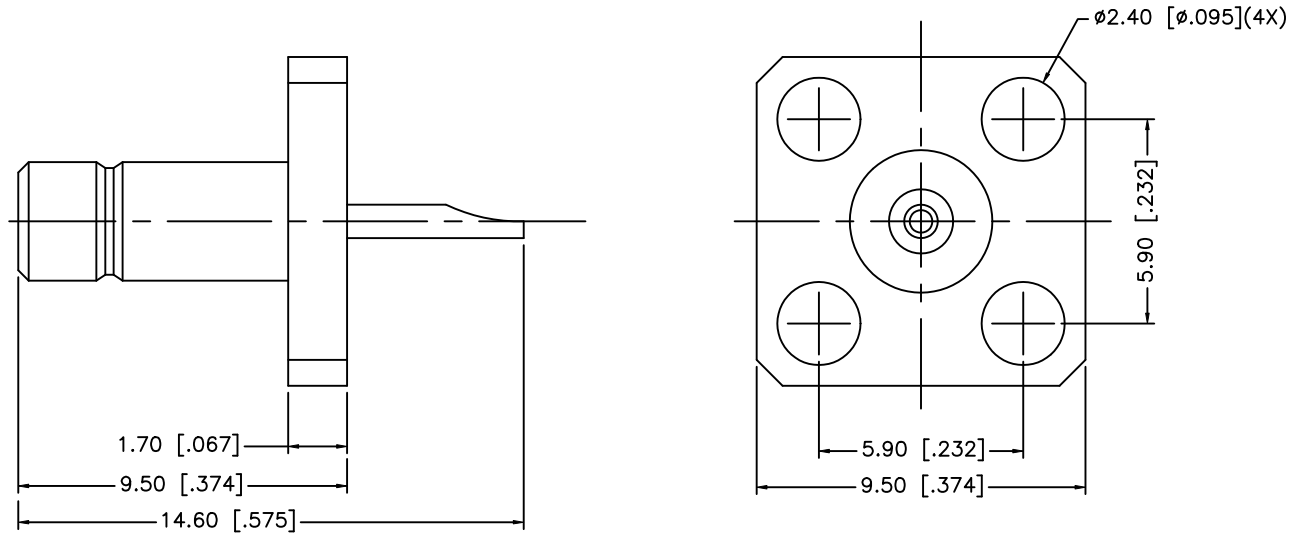


REV.	DATE	ECR NO.	DESCRIPTION
A	07/20/05	-	UPDATE DRAWING FORMAT
B	08/04/08	-	REVISE PART DESCRIPTION FROM "SMA" TO "SMB"



8					<small>UNLESS OTHERWISE SPECIFIED DIMENSIONS ARE IN MILLIMETERS. DIMENSIONS IN [] ARE IN INCHES AND FOR CUSTOMER REFERENCE ONLY.</small> <small>UNLESS OTHERWISE SPECIFIED TOLERANCES FOR MILLIMETERS ARE:</small> 0.5 - 8mm ± 0.20mm 8 - 30mm ± 0.40mm 30 - 120mm ± 0.50mm <small>UNLESS OTHERWISE SPECIFIED TOLERANCES FOR INCHES ARE:</small> .020 - .315 = ± 0.007" .315 - 1.180 = ± 0.015" 1.180 - 4.724 = ± 0.020"	APPROVALS	DATE	<h1 style="color: blue;">Amphenol Connex</h1>				
7						DRAWN	GRS					08/04/08
6						CHECKED			PART DESCRIPTION SMB PANEL MOUNT RECEPT. JACK			
5						ISSUED						
4						SHEET	1 OF 1					
3	CONTACT PIN	BRASS	GOLD	1				PART NO. 142162				
2	INSULATOR	PTFE	NATURAL	1								
1	BODY	BRASS	GOLD	1				DWG. NO. 142162.DWG REV. B SIZE A SCALE NA				
	DESCRIPTION	MATERIAL	FINISH	QTY	DO NOT SCALE DRAWING							
					CAD FILE							
					C:/142/142162.DWG							