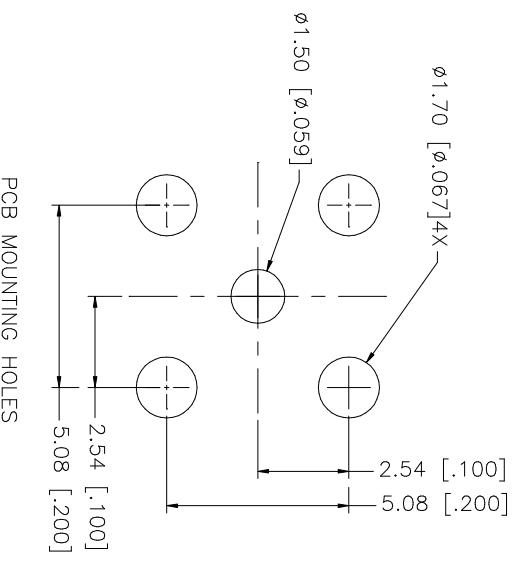
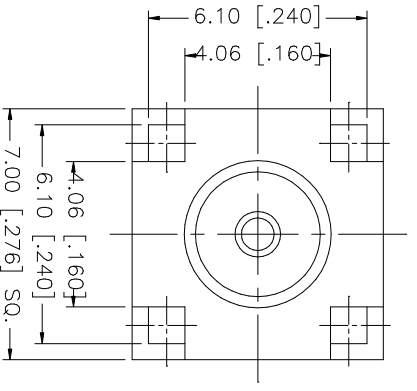
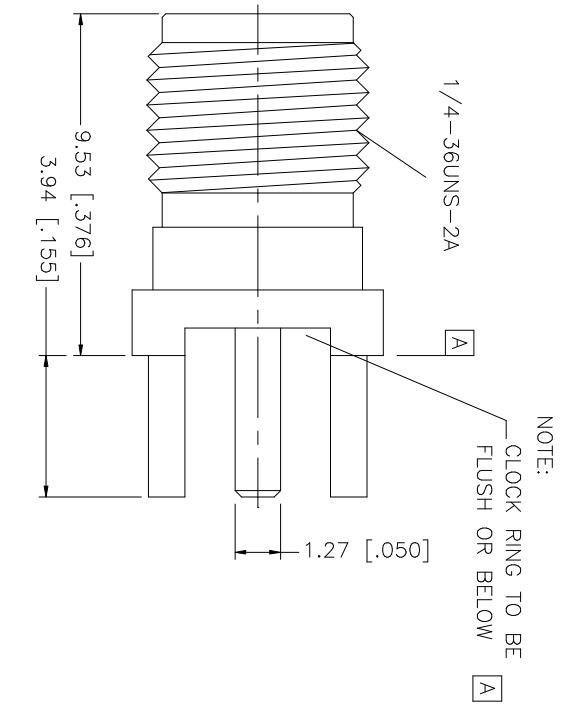


REV.	DATE	DESCRIPTION
NC	05/31/06	INITIAL RELEASE



QTY	FINISH	MATERIAL	DESCRIPTION
1	GOLD	BRASS	RING
1	NATURAL	TEFLON	INSULATOR
1	GOLD	BRASS	CONTACT PIN
1	NATURAL	TEFLON	INSULATOR
1	GOLD	BRASS	BODY

UNLESS OTHERWISE SPECIFIED DIMENSIONS ARE IN INCHES AND FOR CUSTOMER REFERENCE ONLY.	UNLESS OTHERWISE SPECIFIED DIMENSIONS ARE IN MILLIMETERS AND FOR CUSTOMER REFERENCE ONLY.
TOLERANCES FOR DIMENSIONS ARE:	TOLERANCES FOR DIMENSIONS ARE:
0.5 - 8mm ± 0.20mm	0.5 - 8mm ± 0.20mm
8 - 30mm ± 0.40mm	8 - 30mm ± 0.40mm
30 - 120mm ± 0.50mm	30 - 120mm ± 0.50mm

UNLESS OTHERWISE SPECIFIED DIMENSIONS ARE IN INCHES AND FOR CUSTOMER REFERENCE ONLY.	UNLESS OTHERWISE SPECIFIED DIMENSIONS ARE IN MILLIMETERS AND FOR CUSTOMER REFERENCE ONLY.
TOLERANCES FOR DIMENSIONS ARE:	TOLERANCES FOR DIMENSIONS ARE:
.020 - .315 ± ± 0.007"	.020 - .315 ± ± 0.007"
.315 - 1.180 ± ± 0.015"	.315 - 1.180 ± ± 0.015"
1.180 - 4.724 ± ± 0.020"	1.180 - 4.724 ± ± 0.020"

APPROVALS	DATE
DRAWN G.R.S.	05/31/06
CHECKED	
ISSUED	
SHEET 1 OF 1	

CAD FILE	DWG. NO.	REV.	NC	SIZE	SCALE
C:/132/132134RP.DWG	**			A	NA

PART DESCRIPTION	PART NO.
SMA REVERSE POLARITY P.C.B. JACK	132134RP

**Amphenol Connex**