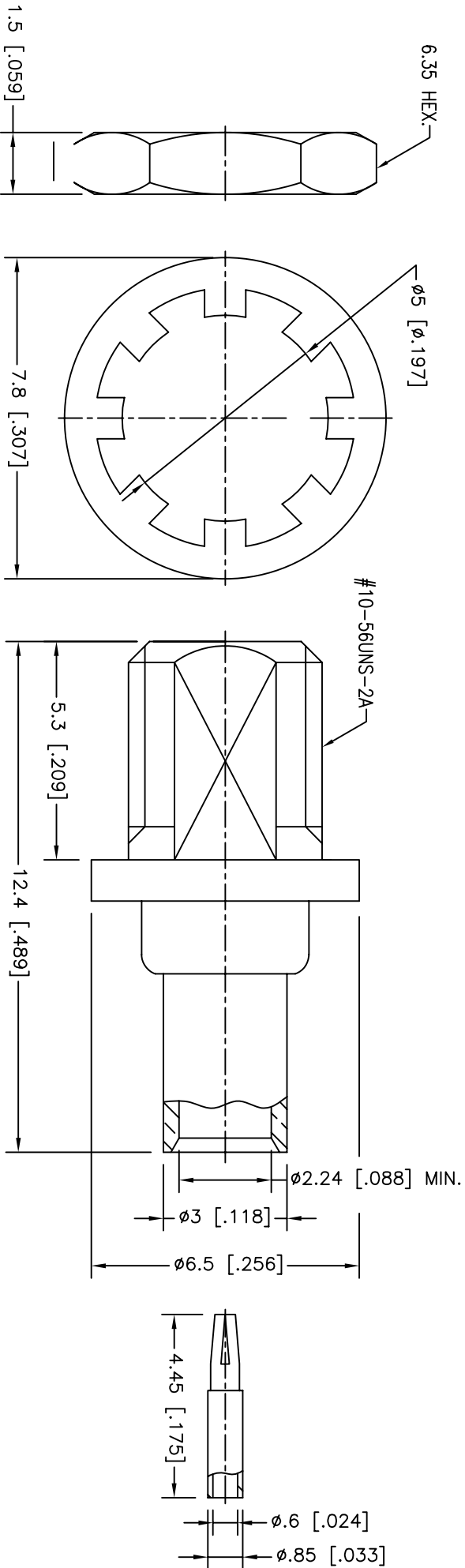
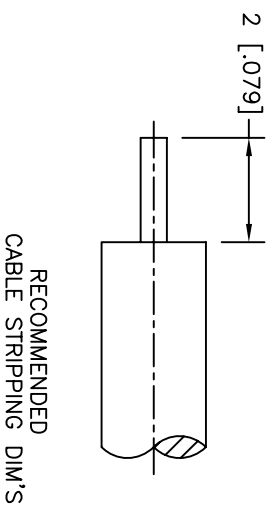
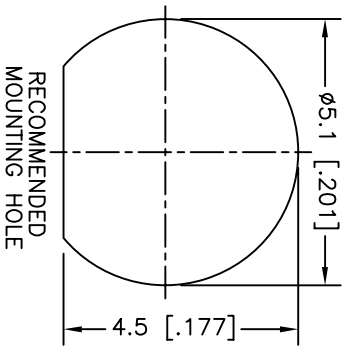


REV.	DATE	ECR NO.	DESCRIPTION
NC	05/16/99	-	INITIAL RELEASE
A	02/19/07	--	UPDATE DRAWING FORMAT
B	02/25/10	2024	THE DIMENSION 5.3 WAS 5.8.



NOTE:
1. SOLDER CENTER CONTACT

QTY	FINISH	MATERIAL	DESCRIPTION
1	GOLD	BRASS	HEX NUT
1	GOLD	BRASS	LOCK WASHER
1	GOLD	BERYLLIUM COPPER	CONTACT PIN
1	GOLD	BRASS	BARREL
1	NATURAL	PTFE	INSULATOR
1	GOLD	BRASS	BODY

UNLESS OTHERWISE SPECIFIED, DIMENSIONS ARE IN INCHES AND FOR CUSTOMER REFERENCE ONLY.
TOLERANCES FOR MILLIMETERS ARE:
0.5 - 8mm ± 0.20mm
8 - 30mm ± 0.40mm
30 - 120mm ± 0.50mm
UNLESS OTHERWISE SPECIFIED, DIMENSIONS ARE IN INCHES AND FOR CUSTOMER REFERENCE ONLY.
TOLERANCES FOR INCHES ARE:
.020 - .315 = ± 0.007"
.315 - 1.180 = ± 0.015"
1.180 - 4.724 = ± 0.020"

APPROVALS	DATE
DRAWN C.WANG	02/25/10
CHECKED	
ISSUED	
SHEET 1 OF 1	

Amphenol Connex

MMCX BULKHEAD SEMI-RIGID JACK
(FOR 085", 086")

PART NO. 262124

DWG. NO. 262124.DWG

REV. B SIZE A SCALE NA

DO NOT SCALE DRAWING

CAD FILE C:/CONNEX/262124.DWG