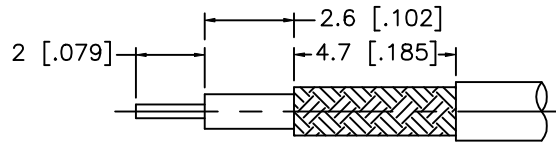
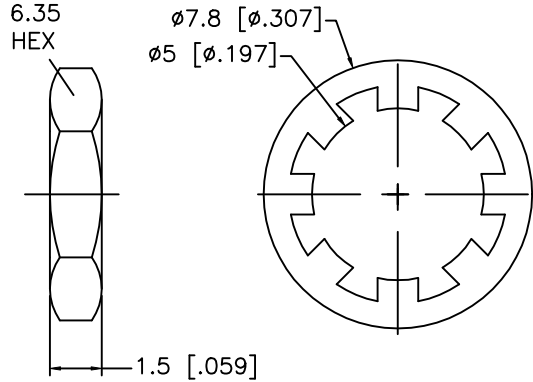


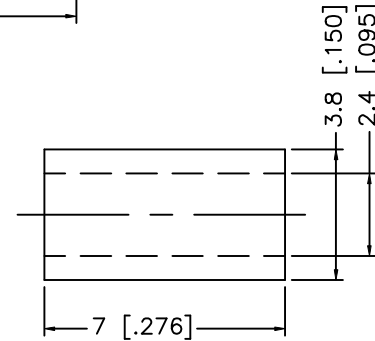
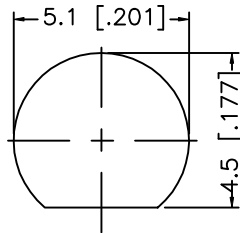
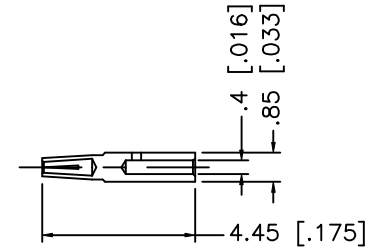
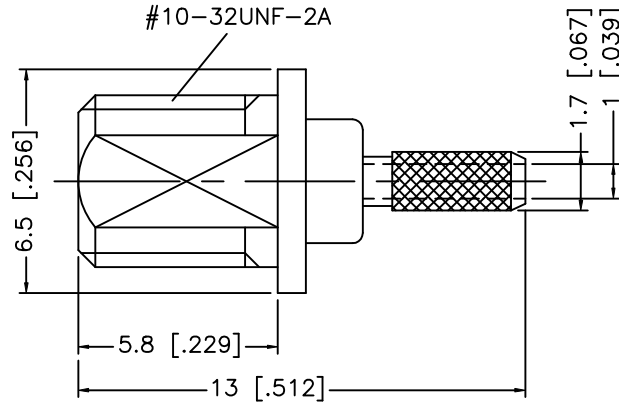
REV.	DATE	DESCRIPTION
A	01/12/02	MODIFY FERRULE LENGTH



RECOMMENDED CABLE STRIPPING DIM'S.



RECOMMENDED MOUNTING HOLE



DESCRIPTION	MATERIAL	FINISH	UNLESS OTHERWISE SPECIFIED DIMENSIONS ARE IN MILLIMETERS	APPROVALS	DATE	<h1 style="text-align: center;">Amphenol-Connex</h1> <h2 style="text-align: center;">CONNECTOR CORPORATION</h2>							
1 BODY	BRASS	GOLD	DIMENSIONS IN [] ARE IN INCHES FOR CUSTOMER REFERENCE ONLY	DRAWN G.R.S.	01/12/02					TITLE MMCX BULKHEAD CRIMP JACK (FOR RG-178B/u, 196A/u CABLE)			
2 INSULATOR	TEFLON	NATURAL		CHECKED		SIZE A	FSCM NO. 99001	DWG. NO. 262120.DWG	REV. A				
3 BARREL	BRASS	GOLD		ISSUED		SCALE NA	PART NO. 262120	SHEET 1 OF 1					
4 CONTACT PIN	BER. COPPER	GOLD	UNLESS OTHERWISE SPECIFIED TOLERANCES FOR INCHES ARE: .XXX = ± 0.005" .XX = ± 0.010" .X = ± 0.020"										
5 FERRULE	COPPER	GOLD		DO NOT SCALE DRAWING									