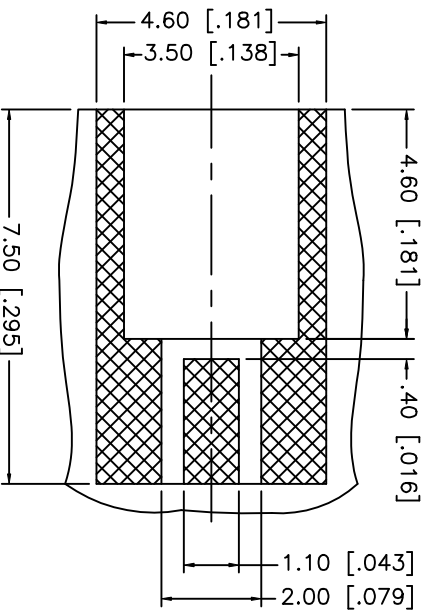
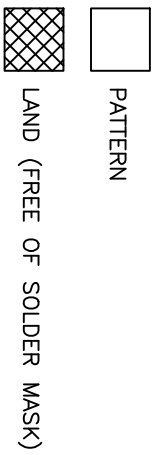
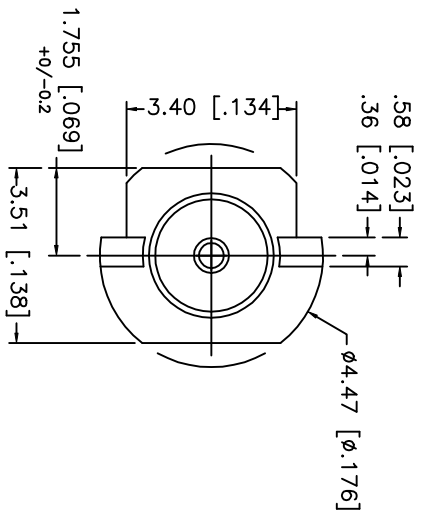
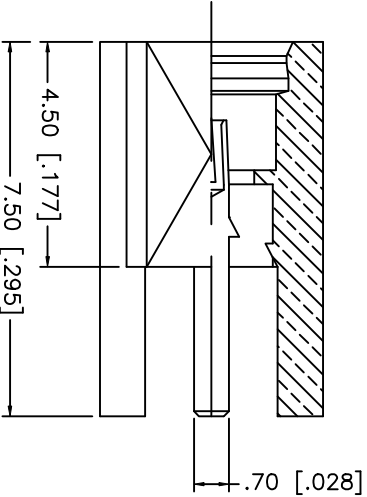
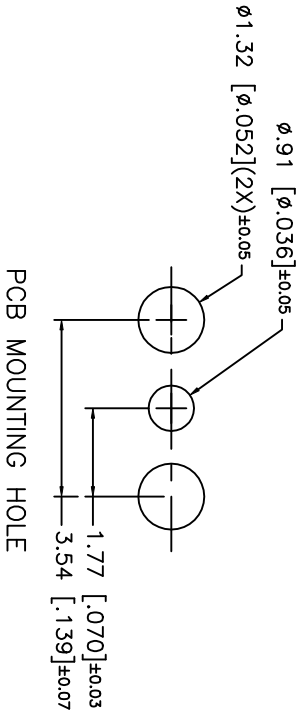


REV.	DATE	DESCRIPTION
NC	08/29/02	INITIAL RELEASE



RECOMMENDED
MOUNTING HOLE

8			
7			
6			
5			
4			
3	CONTACT PIN	BFR. COPPER	GOLD
2	INSULATOR	TEFLON	NATURAL
1	BODY	BRASS	GOLD
	DESCRIPTION	MATERIAL	FINISH

UNLESS OTHERWISE SPECIFIED
DIMENSIONS ARE IN MILLIMETERS
DIMENSIONS IN []
ARE IN INCHES FOR
CUSTOMER REFERENCE ONLY

UNLESS OTHERWISE SPECIFIED
TOLERANCES FOR INCHES ARE:
.XXX = ± 0.005"
.XX = ± 0.010"
.X = ± 0.020"

DO NOT SCALE DRAWING

APPROVALS	DATE
G.R.S.	08/29/02
DRAWN	
CHECKED	
ISSUED	

Amphenol - Connex
CONNECTOR CORPORATION

MMCX EDGE CARD JACK

TITLE

SIZE	FSCM NO.	DWG. NO.	REV.
A	99001	262107.DWG	NC
SCALE	PART NO.	SHEET	
NA	262107	1 OF 1	