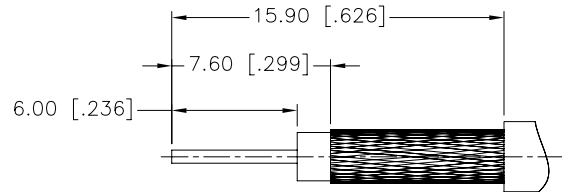
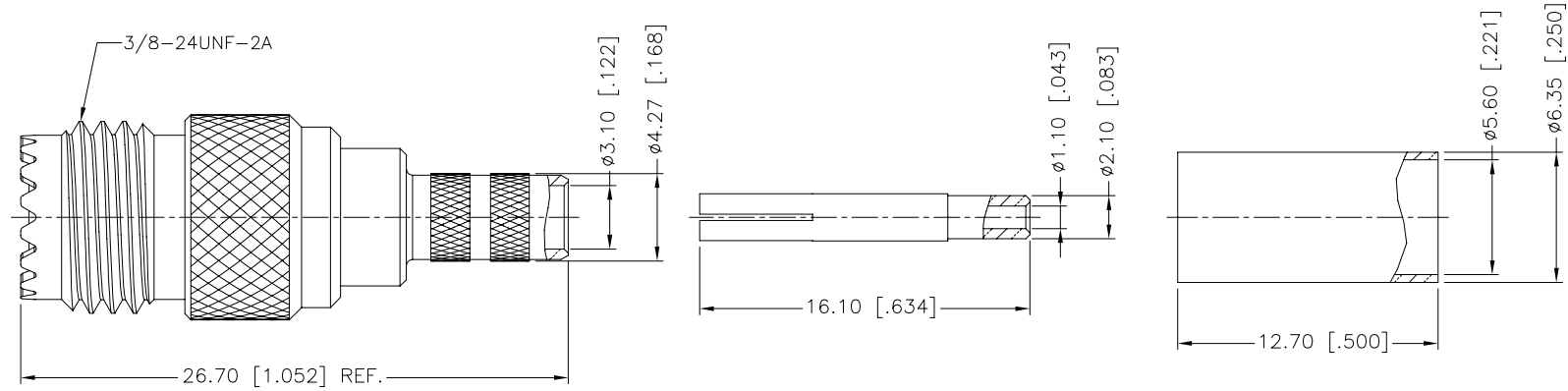


REV.	DATE	ECR NO.	DESCRIPTION
NC	07/14/09	XXXXXX	INITIAL RELEASE



RECOMMENDED  
CABLE STRIPPING DIM'S

- NOTES:
1. CRIMPED FERRULE  
HEX CRIMP SIZE .213"
  2. CRIMPED CONTACT PIN  
HEX CRIMP SIZE .068"

				UNLESS OTHERWISE SPECIFIED DIMENSIONS ARE IN MILLIMETERS. DIMENSIONS IN [ ] ARE IN INCHES AND FOR CUSTOMER REFERENCE ONLY.	APPROVALS	DATE	<b>Amphenol Connex</b>				
				UNLESS OTHERWISE SPECIFIED TOLERANCES FOR MILLIMETERS ARE: 0.5 - 8mm $\pm$ 0.20mm 8 - 30mm $\pm$ 0.40mm 30 - 120mm $\pm$ 0.50mm	DRAWN J.CHENG	07/14/09					PART DESCRIPTION <b>MINI-UHF CRIMP JACK (FOR RG-142A/U,223/U)</b>
				UNLESS OTHERWISE SPECIFIED TOLERANCES FOR INCHES ARE: .020 - .315 $\pm$ 0.007" .315 - 1.180 $\pm$ 0.015" 1.180 - 4.724 $\pm$ 0.020"	CHECKED		PART NO. <b>182309</b>				
5	FERRULE	BRASS	NICKEL	1	ISSUED						DWG. NO. 182309.DWG
4	CONTACT PIN	PHOSPHOR BRONZE	GOLD	1	SHEET 1 OF 1		REV. NC SIZE A SCALE NA				
3	INSULATOR	PTFE	NATURAL	1	CAD FILE	C:/CONNEX/182309.DWG					
2	BARREL	BRASS	NICKEL	1	DO NOT SCALE DRAWING						
1	BODY	BRASS	NICKEL	1							
DESCRIPTION				MATERIAL	FINISH	QTY					